



ROHO[®]

AGILITY[™]

BACK SYSTEM

COMFORTABLE
STRONG
ADJUSTABLE



Fit first. Client first. Wheelchair second.

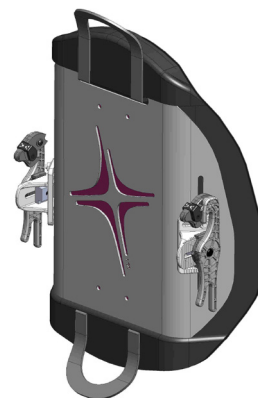
Your client's wheelchair is no longer the deciding factor when it comes to which replacement back you prescribe. ROHO® AGILITY™ Backs make your client's specific seating and positioning needs the deciding factor.

ROHO AGILITY Back Systems are changing how you help your clients with their seating and positioning needs. We have built upon ROHO's 40 years of superior quality and AIR FLOATATION™ Technology to create the strongest, most comfortable, and most adjustable replacement back on the market.

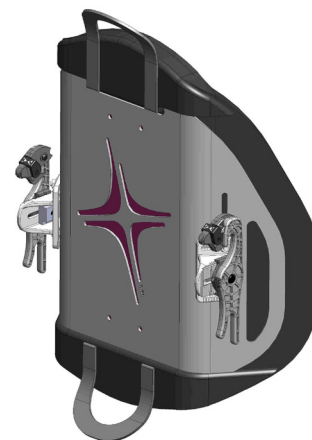
What's different?

Our innovative hardware. The cutting-edge, durable Zytel® composite hardware lets you say: "AGILITY Backs do not slip!" AGILITY gives you the peace of mind knowing that when your client's replacement back is fitted properly to your client's wheelchair, the back will stay in position. Your clients will have the confidence that no matter what their activity level, their AGILITY back will keep them secure now and in the future. And that is only part of how AGILITY Backs help you put your clients' needs first.

Fit first. Client first.



AGILITY Minimum Contour
Up to 3 inches or 7.5 cm of depth



AGILITY Mid Contour
Up to 4.5 inches or 11.4 cm of depth



AGILITY Max Contour
Up to 6 inches or 15.2 cm of depth

No matter what your clients' needs are, AGILITY Backs fall into every current U.S. Medicare replacement back code.

E2611 - FOAM ONLY

E2613 - FOAM with Lumbar Support Pad



AGILITY Minimum
Contour General Use



AGILITY Minimum Contour

E2615 - AIR Insert with Lumbar Support Pad



AGILITY Minimum Contour



AGILITY Mid Contour



AGILITY Max Contour

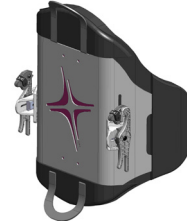
E2620 - AIR Insert



AGILITY Minimum Contour



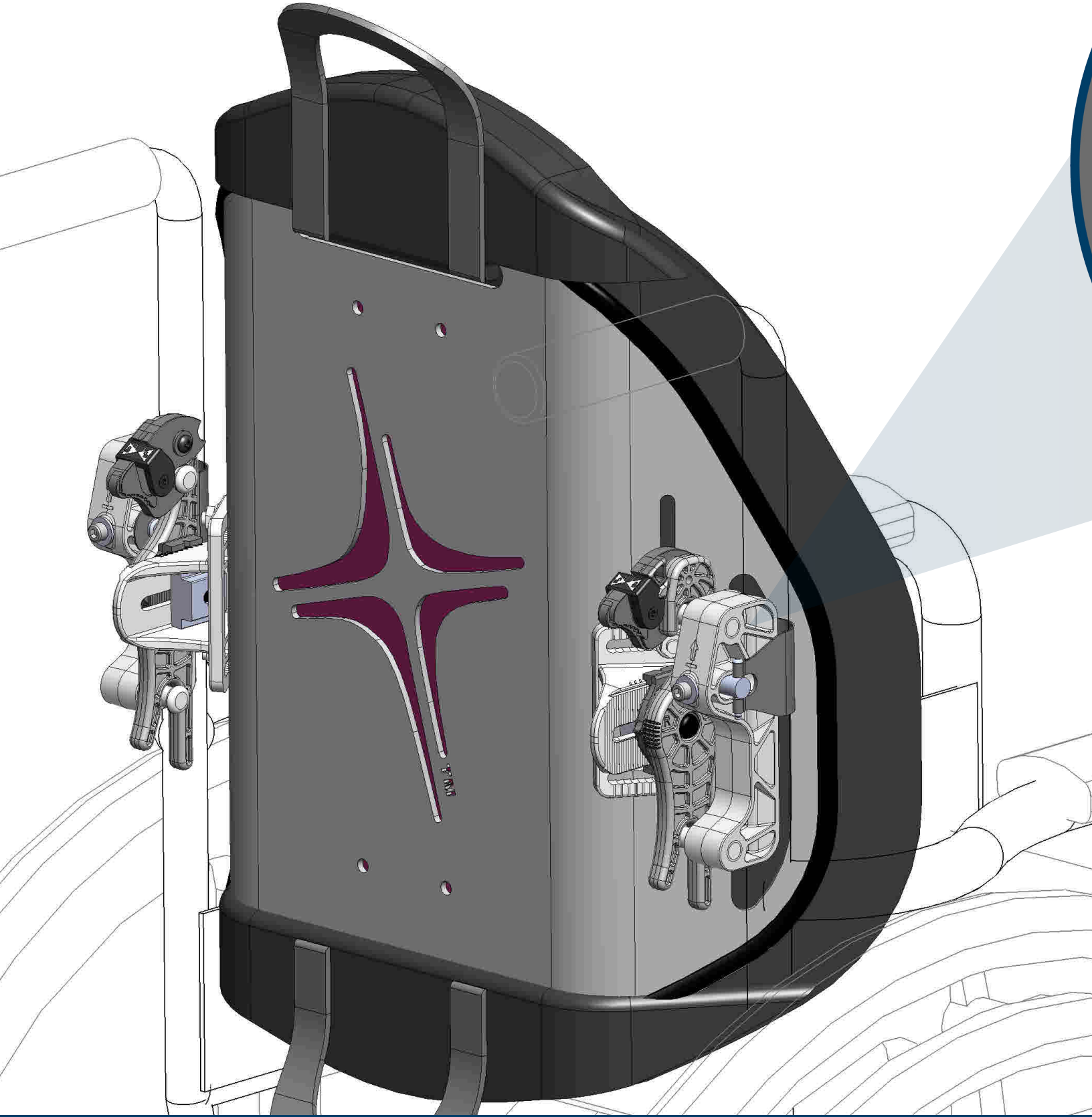
AGILITY Mid Contour

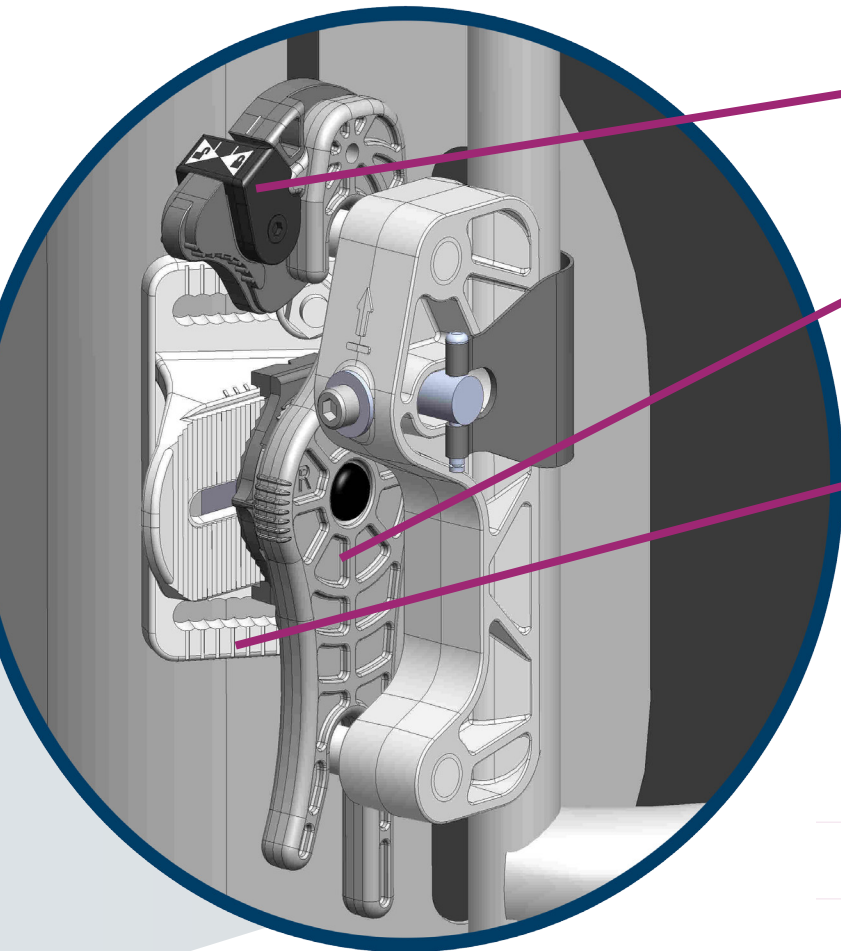


AGILITY Max Contour

Use the AGILITY order form to select the correct model for your client. For the latest information pertaining to U.S. Medicare coding and fee schedules, please visit www.dmepdac.com/dmecsapp/do/search.

NO BACK IS STRONGER

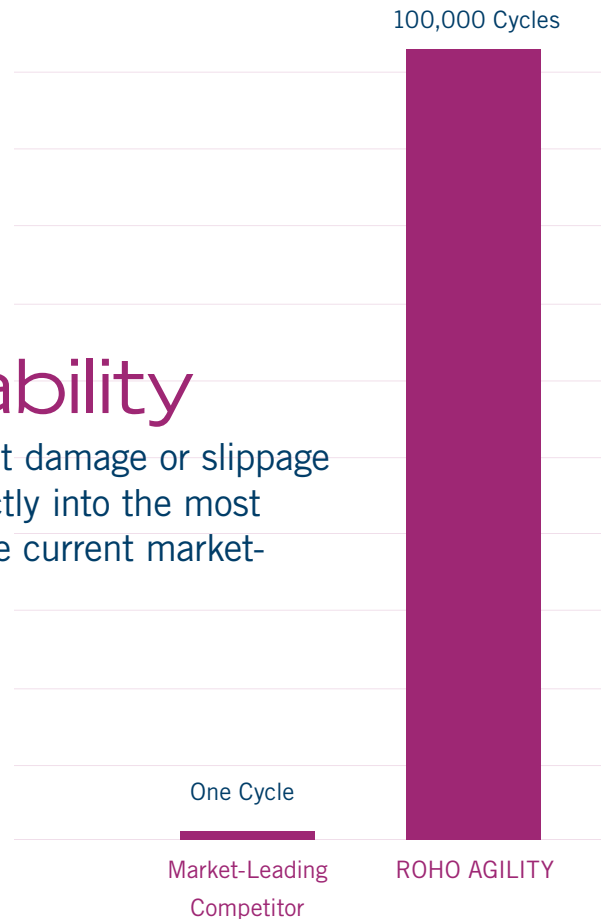




Springless lock system ensures a secure fit to wheelchair canes.

Durable Zytel® material prevents typical wearing of wheelchair back hardware.

Zytel teeth prevent hardware slippage without compromising adjustability.



Tested for Durability

AGILITY passed 100,000 cycles without damage or slippage when 300 lb. of force was exerted directly into the most vulnerable part of the back, the top. The current market-leading back lasted only one cycle.

WANT PROOF?

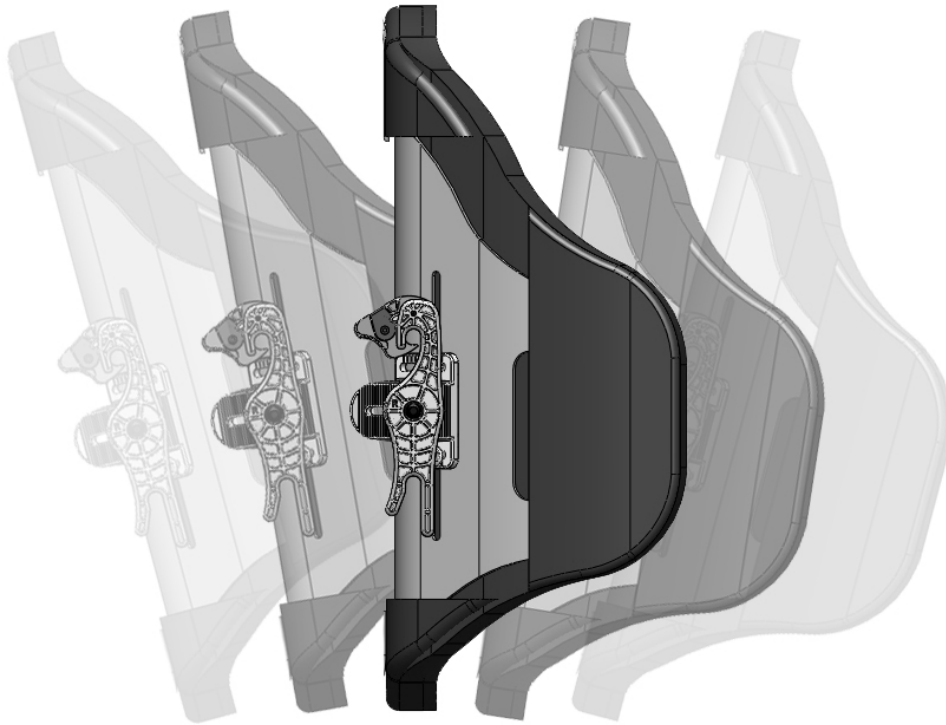
Watch the video at:

www.agilitystrength.com

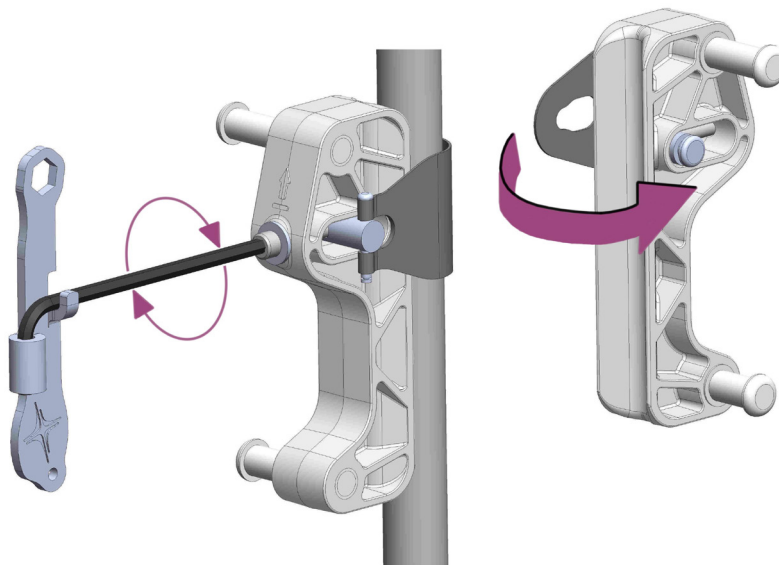
“ROHO has managed to develop hardware for the AGILITY back that is both durable and has the maximum amount of adjustability for depth, angle, and height adjustment, which is essential for seating and positioning.”

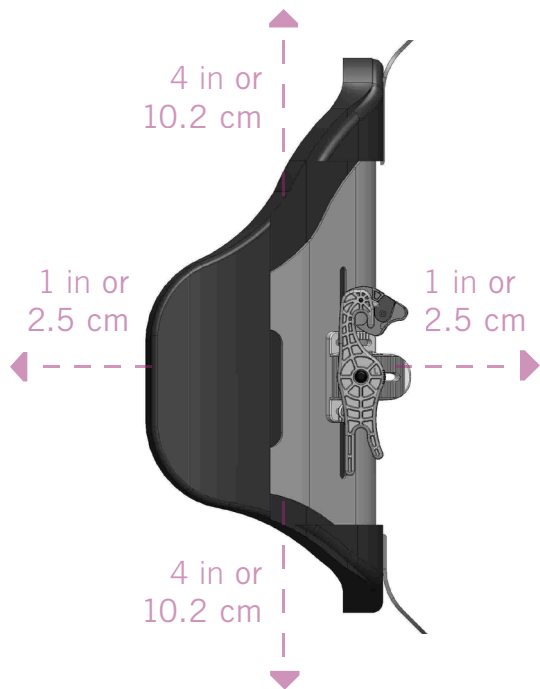
--Jed G., Ability Medical Supply in Sunrise, FL

NO BACK IS EASIER TO ADJUST



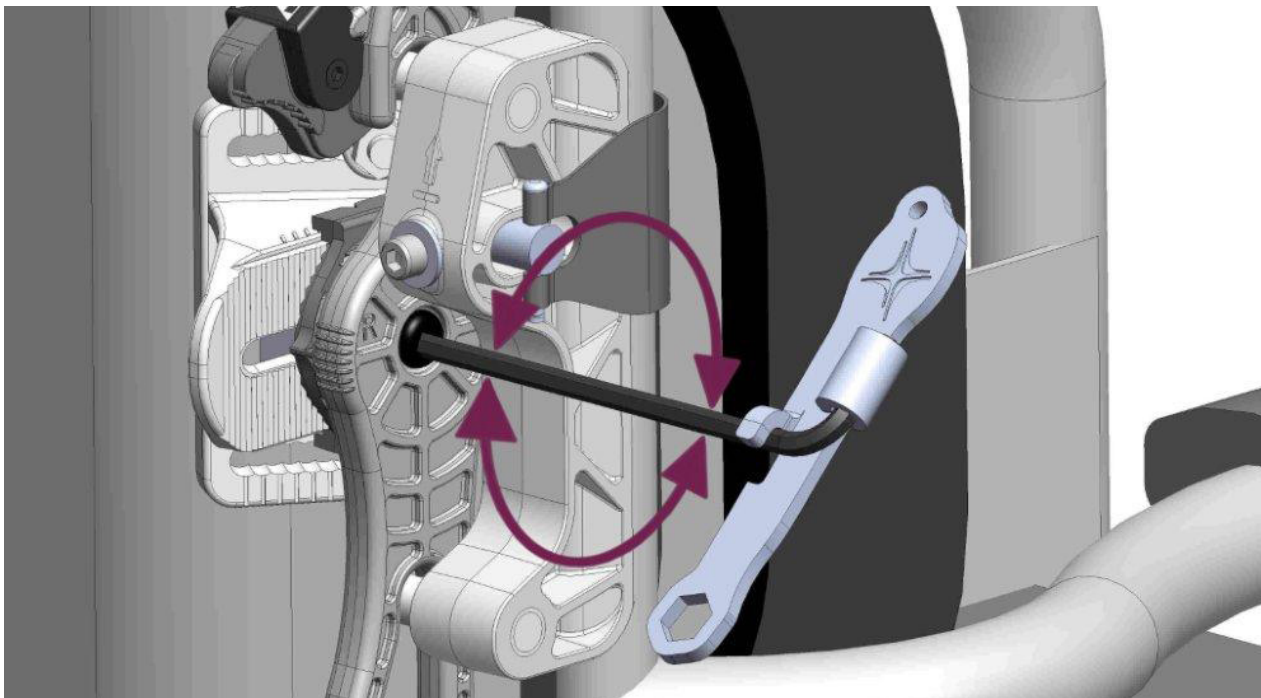
15 degrees of anterior
or posterior tilt





Up to 4 inches or 10.2 cm of height adjustment

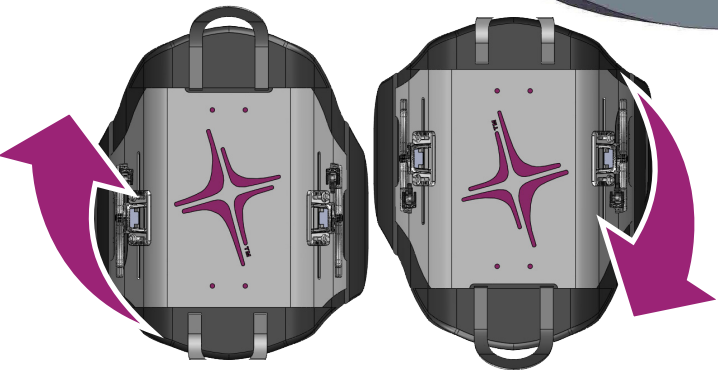
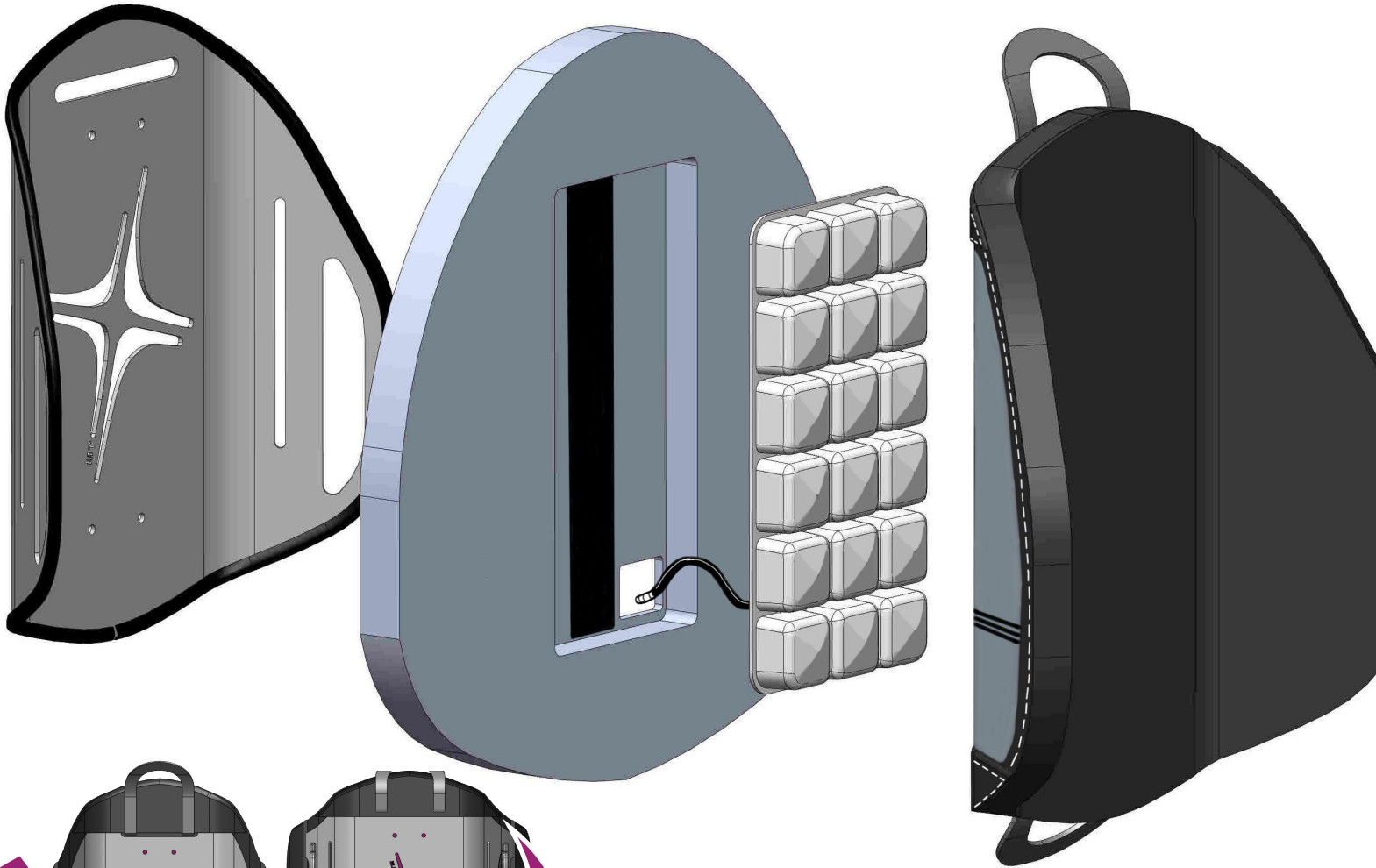
1 inch or 2.5 cm of rearward or forward adjustment



- AGILITY angle and depth can easily be adjusted with a client in the wheelchair.
- All adjustments can be made with one tool (provided).

“ I have been very pleased with the mounting hardware and how easy they are to install and then to adjust even while the client is in the chair... they do not slip out of adjustment once they have been set.”

NO BACK IS MORE COMFORTABLE



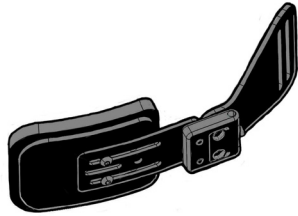
Shell can be “flipped” to accommodate more body types, using the same hardware.



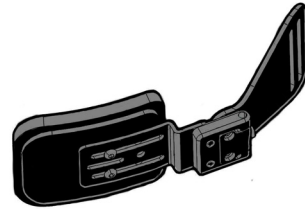
Only AGILITY offers ROHO's adjustable AIR FLOATATION technology along the spinal column. AGILITY components are designed to be light and conform to your clients' bodies.

AGILITY ACCESSORIES

AGILITY SWING-AWAY LATERALS

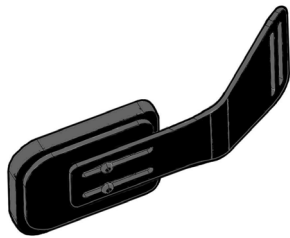


FLUSH

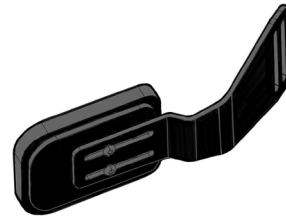


1/2", 1" and 2" OFFSET

AGILITY FIXED LATERALS

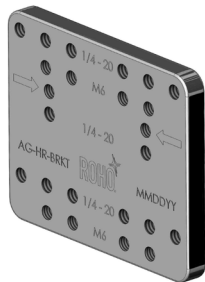


FLUSH



1/2" OFFSET

AGILITY HEADREST COMPONENTS



Headrest Adapter Plate



Headrest by THERAFIN

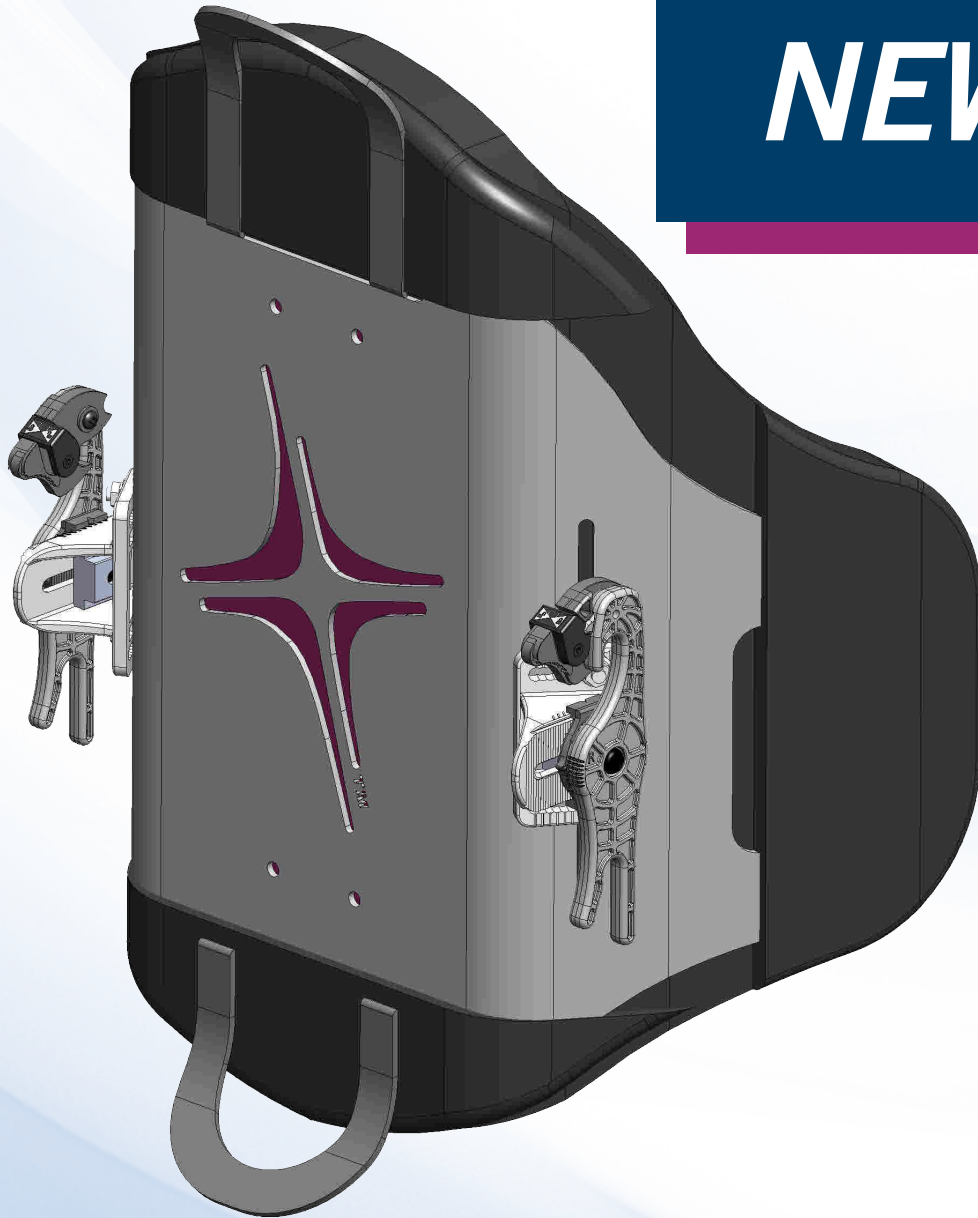
“AGILITY components are designed to be light and conform to your clients’ bodies”

“The ROHO brings comfort to my back like nothing I have ever experienced in more than 20 years of living from a wheelchair.” -- Patient Advocate

NOW FEATURING

AGILITY Max Contour

NEW!

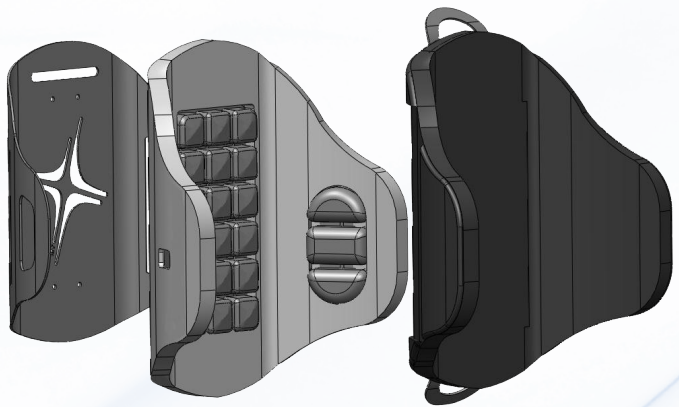
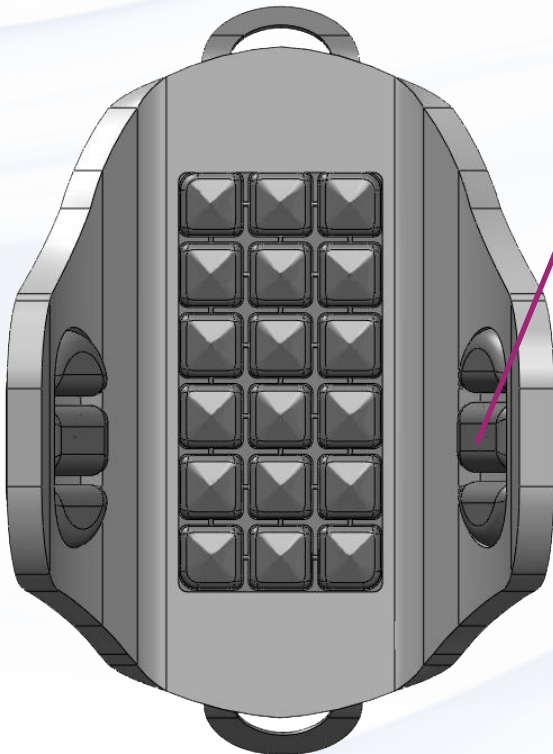
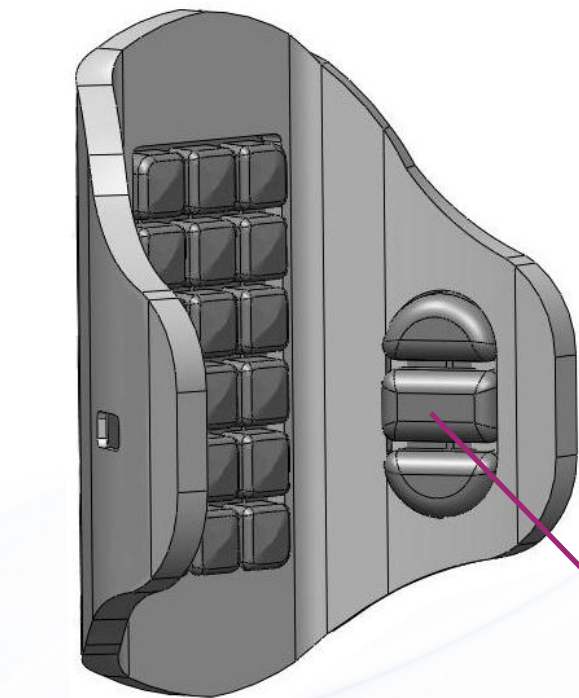


Finally, a deep back that conforms to your clients' individual needs.

The next generation
of AGILITY with

ROHO AIR FLOATATION™ Technology

The only deep back with
adjustable lateral air pads for
better positioning and increased
comfort



“The new air inserts on the wings will make this the most versatile deep back on the market. This will help me better address my clients’ specific needs.”

--Lino L., ATP, Fox Medical

AGILITY Does It All

For Clinicians, AGILITY can:

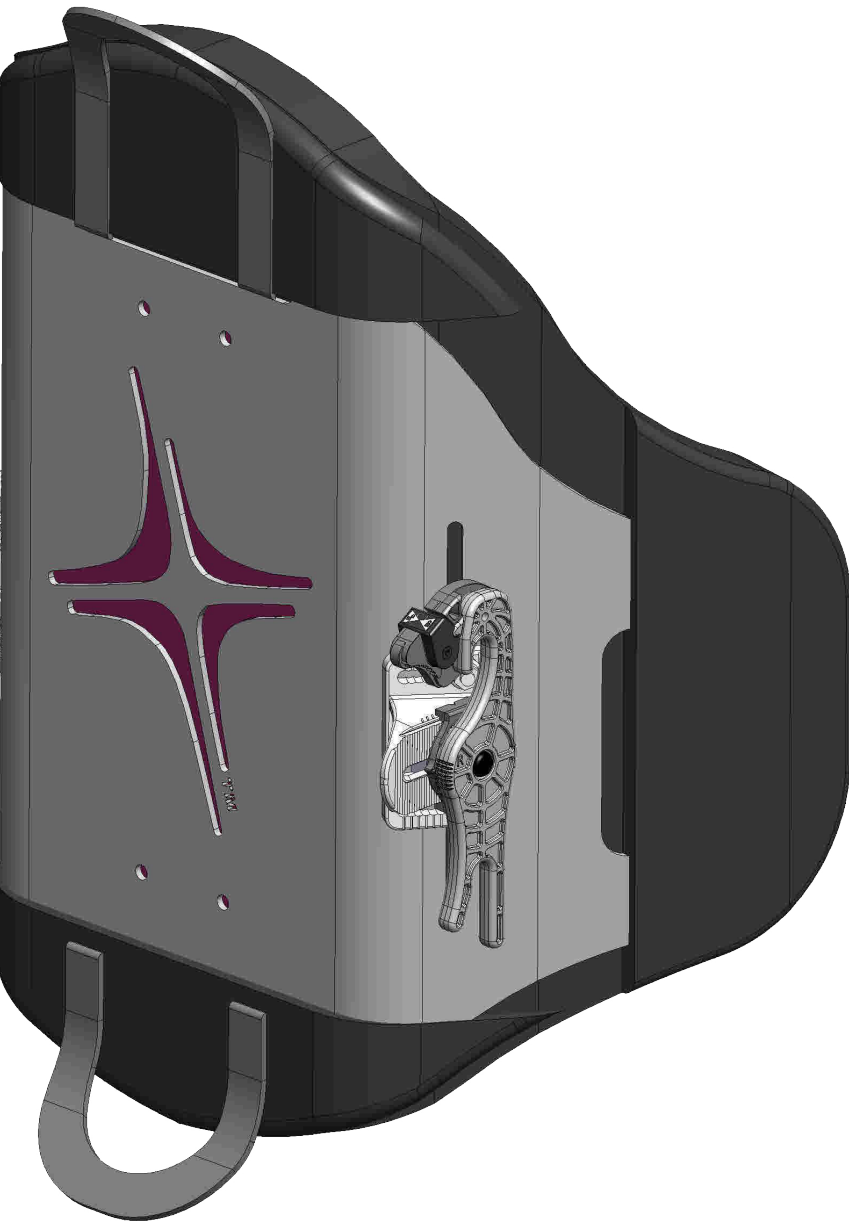
- Provide a back that conforms to clients' bodies to better distribute pressure
- Give several fitment options for clients--all with one back
- Help better address their clients' specific postural needs
- Provide peace of mind that their backrest adjustments will not slip over time
- Provide a wheelchair back that supports several lateral and aftermarket headrest options

For Providers, AGILITY can:

- Offer easy fitting and adjustment with a single tool
- Provide a removable back option that works with almost any wheelchair
- Reduce unexpected and expensive maintenance calls
- Allow adjustments with clients in their wheelchairs, reducing the need for transfers
- Help save installation time with predrilled holes for headrests

For Clients, AGILITY can:

- Provide additional comfort
- Increase sitting tolerance
- Improve manual wheelchair propulsion
- Increase lateral stability



Call today for more information on AGILITY and AGILITY accessories.

Contact your local ROHO representative or ROHO distributor:

ROHO 

100 N. Florida Ave.
Belleville, IL 62221 U.S.A.

U.S. 800-851-3449
Outside U.S.: 618-277-9173
Fax 618-277-6518

cc@ROHO.com
www.ROHO.com



MADE IN USA



ROHO, Inc., has a policy of continual product improvement and reserves the right to amend information in this brochure. The current version of this brochure is available on our website at ROHO.com. We recommend consulting with a certified rehab professional when ordering and fitting ROHO Group products. Visit NRRTS.org for information on certified providers in your area.

©2013 ROHO, Inc. The following are trademarks and registered trademarks of ROHO, Inc.: ROHO®, AGILITY™, and AIR FLOATATION™. Zytel® is a registered trademark of DuPont.