

permobil

THE POWER OF MOBILITY



On the go.

Extra low seat height

The **C500 Corpus 3G Lowrider** is especially made for activity. The C500 chassis has the strength you need for outdoor use, but at the same time is sufficiently versatile indoors. We have combined the chassis with our popular seat Corpus 3G. The seat has all the important functions you need for prolonged sitting. You sit comfortably with correct support in the contoured seat cushion and can utilise power functions such as seat tilt and recline for pressure relief. You can also choose 5° forward tilt for extra help during transfer. The Lowrider's special advantage is that it offers an extra low seat height making it extremely well suited for use in cars.

C500
CORPUS 3G
LOWRIDER

power functions





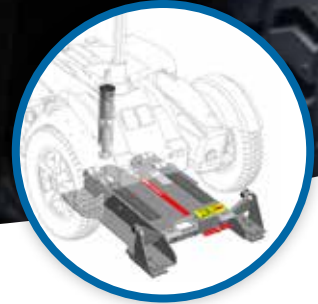
Backrest
Standard split backrest. Choose the low backrest for more active sitting.



Ergonomic seat
Contoured seat cushion for extra support. The seat features adjustable angle armrests and contoured legrest.



Seat positioning
Power tilt and recline help achieve maximum comfort and pressure relief. Choose the 5° forward tilt for a little extra help when transferring.

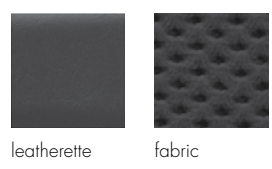


Permolock C
Crash-tested with Permolock C chair lock. You can drive your car while seated in the wheelchair.

Colours



Upholstery



Specifications

Total length	1225 mm
Total width	675 mm
Minimum transport length	930 mm
Seat height	405 mm
Seat height with powered seat lift	405 - 545 mm
Total weight incl. batteries	149 kg
Maximum user weight	136 kg
Seat width	420 - 570 mm (by 50 mm)
Seat depth	370 - 570 mm (by 25 mm)
Backrest width	360 - 410 - 460 - 510 mm
Backrest height	470, 545 - 670 mm (by 25 mm)
Armrest height	230 - 330 mm
Backrest angle - adjustable	85° - 170°
Legrest angle - adjustable	85° - 170°

Battery capacity	2 x 73 Ah
Range (ISO 7176-4)	30 - 40 km
Maximum speed	8 - 10 km/h
Turning radius (ISO 7176-5)	715 mm
Obstacle height	60 - 80 mm
Suspension	yes
Electronics	R-net
Powered seat lift	yes, 140 mm
Powered seat tilt	yes, 0° -30° or -5° -25
Powered legrest adjustment	option
Powered backrest adjustment	option
Guarantee	2 years
ISO 7176-19/ISO 10542-3	yes - crash tested
EN12182/EN12184 CE	yes