



NEW USP:

Folding up or down the safety rail can easily be done by the one hand operated release knob

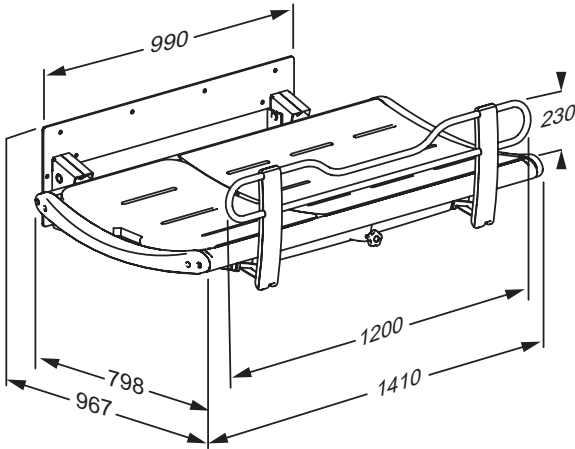
SHOWERING AND CHANGING TABLE 3000

Pressalit offers a range of high quality, fixed or power adjusted shower and changing tables designed to provide a stable platform suitable for changing adults and children in a variety of settings: schools, day care centres, institutions, hospitals, public venues (sports stadiums, parks, shopping malls, motorway service areas) and private homes.

The design of the new showering and changing table 3000 series takes account of current ergonomic and hygiene requirements while ensuring high standards of user comfort. The series includes comfortable and durable surfaces, including polyurethane foam and aluminum. The design is thoroughly tested and solid, and will withstand many years of daily use.

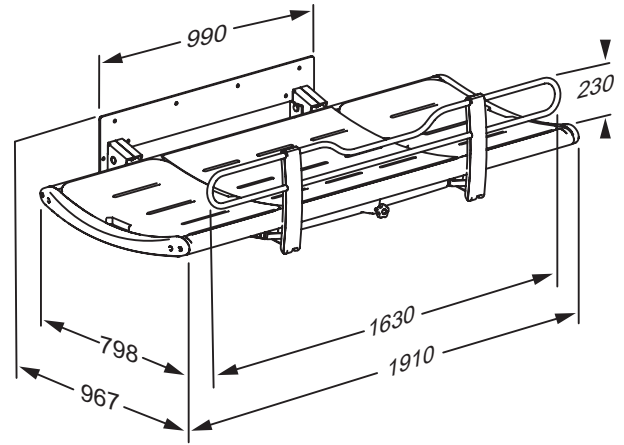
The flexibility of the nursing bench and safety rail provides for optimal working conditions for the carer as well as a high level of comfort and safety for the user.

- **NEW USP:** The safety rail has a lower area in the middle to ease access for the carer
- The height of the electrically height adjustable showering and changing table 3000 can be adjusted from 300 to 1000 mm above floor. This ensures aids independent transfers from low level and provides good working heights
- Adjustable neck support which can be moved to either end of the 1800 mm nursing benches
- The slightly curved form makes the bench extremely comfortable and safe
- A water collection tray with integrated water outlet prevents water from splashing on carers or the floor
- The flexible hose attached to the centre mounted outlet of the water collection tray, can be connected to either an outlet in the floor or on the wall
- The integrated gas cylinders enable the bench to be folded out of the way when not in use to maximise floor space



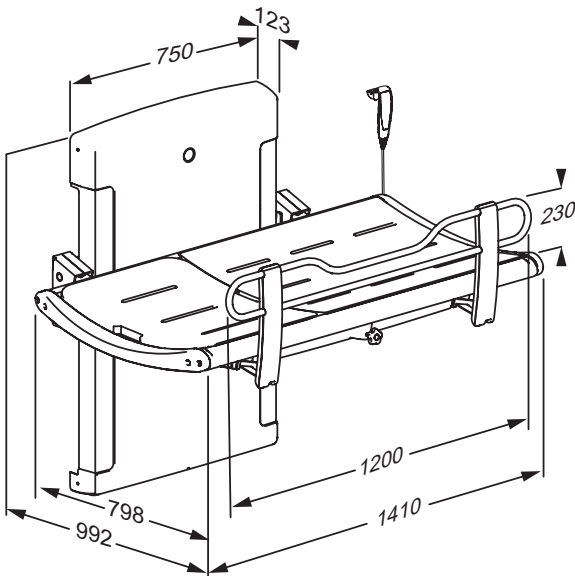
ITEM NO.: R8435313021

Showering and changing table 3000, fixed height.



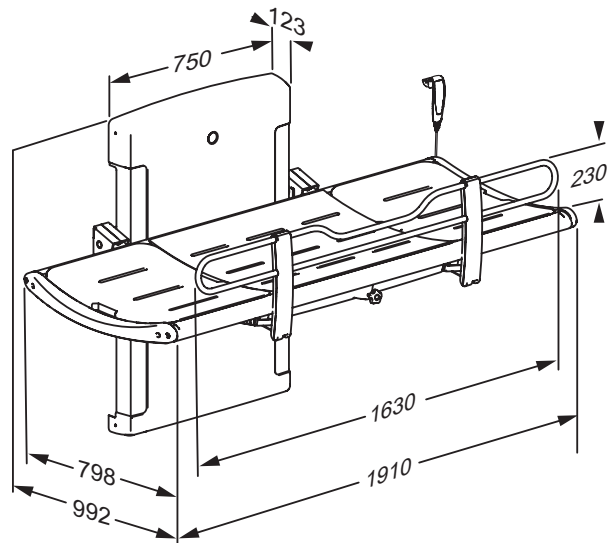
ITEM NO.: R8435318021

Showering and changing table 3000, fixed height.



ITEM NO.: R8572313021

Showering and changing table 3000, electrically height adjustable.



ITEM NO.: R8572318021

Showering and changing table 3000, electrically height adjustable.

Materials: Aluminium, polyurethane foam with marine ply core, powder lacquered steel.

Maximum Weight loading capacity: 200 kg

