

# Etac Prio 3A

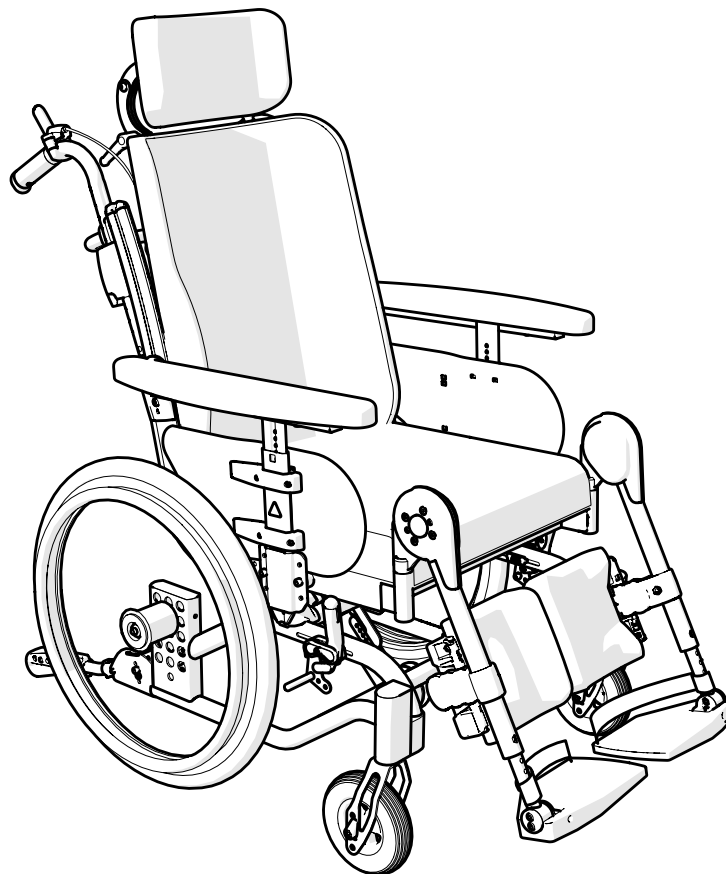
## Spareparts list english



1a17831.1 2022-02-10

---

Applies to Etac Prio with serial no beginning with 38D

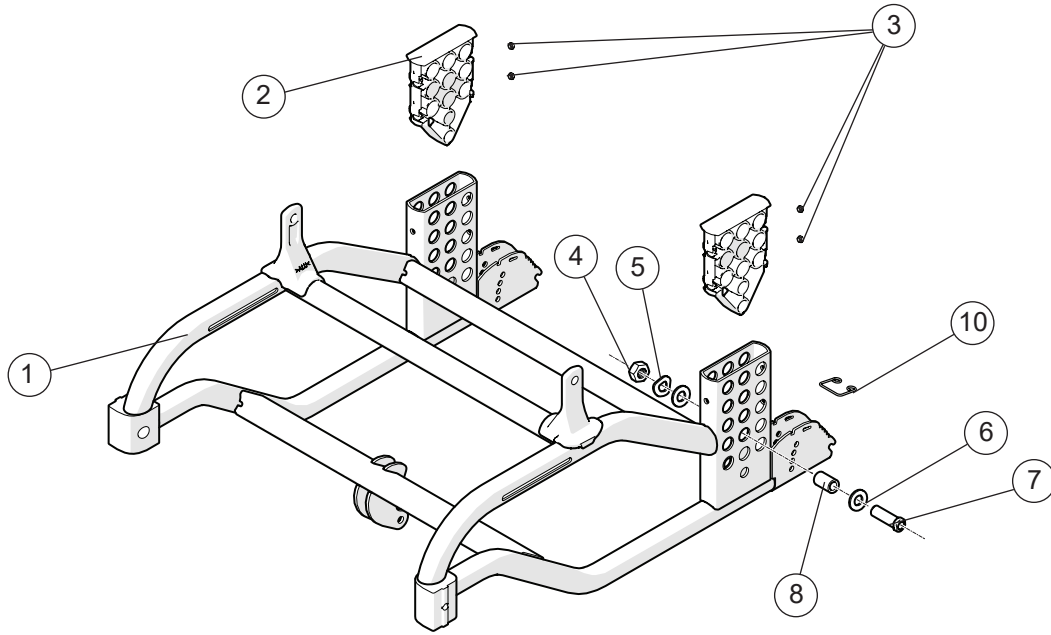


# Index

| Index                             | Page  |
|-----------------------------------|-------|
| Frame                             | 3     |
| Seat frame                        | 4     |
| Gas pistons, comfort lock         | 5     |
| Electric recline function         | 6-7   |
| Back support frame                | 8-9   |
| Push handles                      | 10    |
| Bow handle                        | 11    |
| Bow handle angle adjustable       | 12    |
| Leg support                       | 13-14 |
| Amputee leg support               | 15    |
| Foot support                      | 16-17 |
| Foot support one piece            | 18    |
| Footbox                           | 19    |
| User brake                        | 20-21 |
| Rear wheel                        | 22-24 |
| Attendant brake                   | 25    |
| Tyre and innertube                | 26    |
| Handrim                           | 27    |
| Castor                            | 28    |
| Widening kit                      | 29    |
| Solid seat                        | 30    |
| Arm support                       | 31-32 |
| Arm support Hemi                  | 33    |
| Trunk support                     | 34-37 |
| Leg Abduction                     | 38    |
| Tray                              | 39    |
| Attachment harness                | 40    |
| IV stand                          | 41    |
| Basket                            | 42    |
| Positioning belt                  | 43    |
| Anti tip                          | 44    |
| Spoke guard                       | 45    |
| Head support                      | 46    |
| Seat cushion                      | 47-48 |
| Seat cushion - Cover              | 49    |
| Back support cushion              | 50    |
| Back support cover                | 51    |
| Extension Back support upholstery | 52    |
| Back support upholstery           | 53    |
| Back angle control                | 54    |

| Explanation for list of points         |                  |
|--|------------------|
| ●                                      | Applies to model |
| Prio equipped with 16" rear wheels     | Prio             |
| Prio equipped with attendant brakes    | Prio AB          |
| Prio equipped with handrim rear wheels | Prio 16"         |
|  |                  |

# Frame

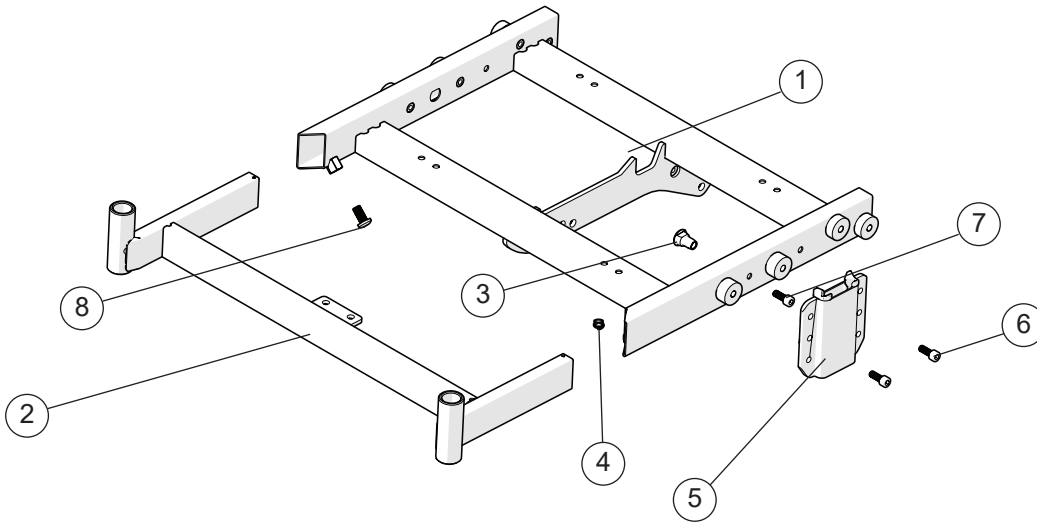


| Pos. | Description  | Item no. |
|------|--|----------|
| 1    | Frame Prio   |          |
| 2    | Cover rear wheel attachm Prio                            |          |
| 3    | Square nut high M6                                       |          |
| 4    | Nut M16x 1 NV 24 B8                                      | 12052    |
|      | Nut M12 Low DIN 439B                                     | 12076    |
| 5    | Locking washer AZ 5/8                                    | 13039    |
| 6    | BRB 17x30x3 Washer                                       | 13117    |
| 7    | Axle sleeve M100 D12                                     | 20024    |
| 8    | Adapter sleeve 16" Prio (2 pcs and assembly instruction) | 28414    |
| 9    | Touch up paint   | 80517-01 |
| 10   | Spring anti-tip  | 83142    |

Prio  
Prio AB  
Prio 16"

|   |   |   |
|---|---|---|
| ● | ● | ● |
| ● | ● | ● |
| ● | ● | ● |
| ● | ● |   |
| ● | ● | ● |
| ● | ● |   |
| ● | ● |   |
| ● | ● | ● |
| ● | ● | ● |
| ● | ● | ● |

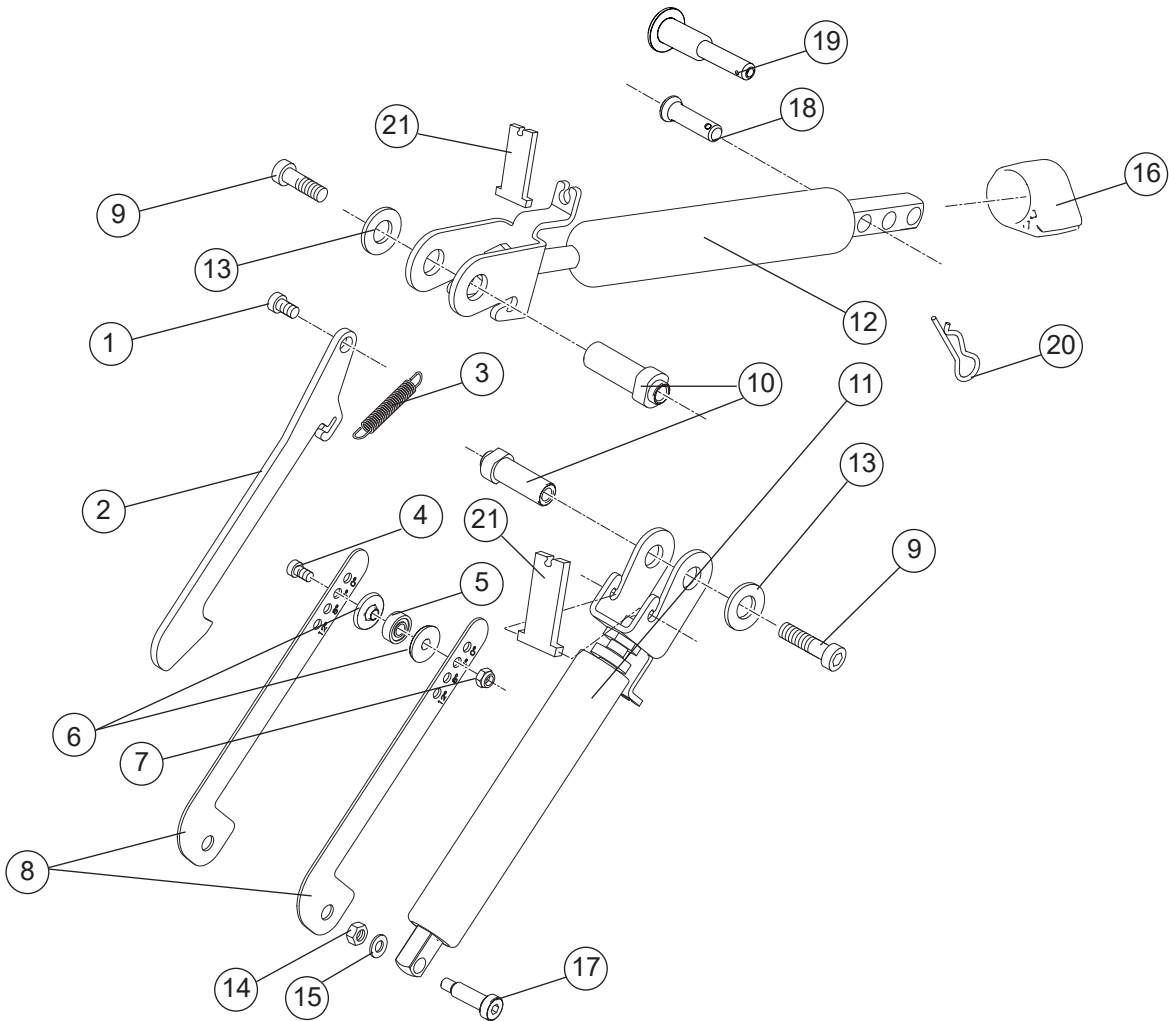
# Seat frame



| Pos. | Description                    | Item no. |   |   |   |
|------|--------------------------------|----------|---|---|---|
| 1    | Seat frame rear Prio           |          | ● | ● | ● |
| 2    | Seat frame front Prio          |          | ● | ● | ● |
| 3    | Joint nut seat frame Prio      | 12117    | ● | ● | ● |
| 4    | Wire attachment                | 50893    | ● | ● | ● |
| 5    | Attachment armrest Prio        | 28514    | ● | ● | ● |
| 6    | Screw M 6x 16 MC6S 12.9        | 11253    | ● | ● | ● |
| 7    | Screw M 6x 14 MC6LS SW5 Zn8/P4 | 11700    | ● | ● | ● |
| 8    | Screw M8x16 K6S A2             | 11014    | ● | ● | ● |

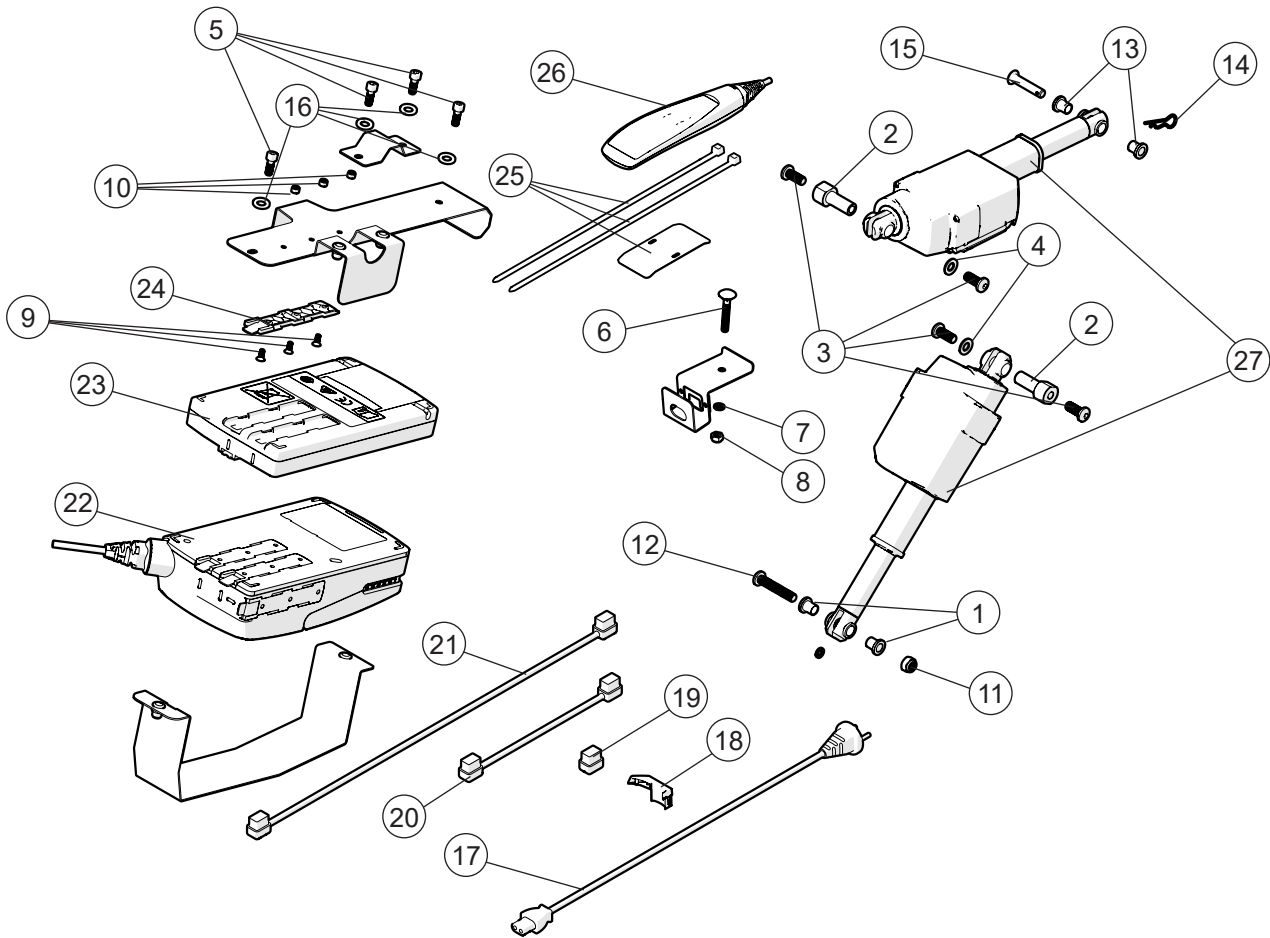
| Prio | Prio AB | Prio 16" |
|------|---------|----------|
| ●    | ●       | ●        |
| ●    | ●       | ●        |
| ●    | ●       | ●        |
| ●    | ●       | ●        |
| ●    | ●       | ●        |
| ●    | ●       | ●        |
| ●    | ●       | ●        |
| ●    | ●       | ●        |

# Gas pistons, comfort lock



| Pos. | Description                                 | Item no. | Prio | Prio AB | Prio 16" |
|------|---|----------|------|---------|----------|
| 1    | Screw M 6x 16 MC6S 12.9                     | 11253    | ●    | ●       | ●        |
| 2    | Comfort lock                                | 82667    | ●    | ●       | ●        |
| 3    | Spring                                      | 82690    | ●    | ●       | ●        |
| 4    | Screw M5x16                                 | 11424    | ●    | ●       | ●        |
| 5    | Bearings Dy15 Di6 t5 (NOMO 696              | 82660    | ●    | ●       | ●        |
| 6    | Bearing bushing comfort lock K              | 20509    | ●    | ●       | ●        |
| 7    | Locking nut M 5                             | 12003    | ●    | ●       | ●        |
| 8    | Adjustment plate comfort lock               | 82691    | ●    | ●       | ●        |
| 9    | Screw M8x20 K6S 10.9 zink plated            | 11704    | ●    | ●       | ●        |
| 10   | Joint sleeve key socket gas pi              | 20511    | ●    | ●       | ●        |
| 11   | Gas spring cpl                              | 27682    | ●    | ●       | ●        |
| 12   | Gas spring Prio back cpl                    | 28701    | ●    | ●       | ●        |
| 13   | Washer 25/12/1.5 black pa                   | 51169    | ●    | ●       | ●        |
| 14   | Locking nut M 6                             | 12017    | ●    | ●       | ●        |
| 15   | Washer BRB 6x3x10x1.5 fzb                   | 13080    | ●    | ●       | ●        |
| 16   | Pull mechanism active backrest plastic Prio | 51042    | ●    | ●       | ●        |
| 17   | Screw 12.9 8xM6x21.5 Prio                   | 20513    | ●    | ●       | ●        |
| 18   | Bolt D8 L23.3                               | 83003    | ●    | ●       | ●        |
| 19   | Locking pin QR                              | 83159    | ●    | ●       | ●        |
| 20   | Locking pin R t2                            | 83037    | ●    | ●       | ●        |
| 21   | Lock clapper                                | 82697    | ●    | ●       | ●        |

# Actuator, electric recline function



| Pos. | Description                        | Item. no. |
|------|------------------------------------|-----------|
| 1    | Spacer electric tilt Prio          |           |
| 2    | Spacer M8 electric tilt Prio       |           |
| 3    | Screw M 8x 20 fzb                  |           |
| 4    | Cir clip RSM 5 stainless           |           |
| 5    | Screw M 6x 16 MC6S 12.9            |           |
| 6    | Screw M 6x 40 MVBF fzb             |           |
| 7    | Washer BRB 6x3x10x1.5 fzb          |           |
| 8    | Locking nut M 6 fzb                |           |
| 9    | Screw M 4x 10 MF6S Fzb             |           |
| 10   | Locking nut M 4 fzb                |           |
| 11   | Locking nut M 8                    |           |
| 12   | Screw M 8x 45 MK6S Fzb             |           |
| 13   | Spacer POM electric tilt Prio      |           |
| 14   | Locking pin R t2                   |           |
| 15   | Bolt electric tilt Prio            |           |
| 16   | Washer BRB 6.5x12x1.5              |           |
| 1-16 | Screw kit                          | 28370     |
| 17   | Power plug electric tilt Prio      | 83173     |
| 18   | Cablelock actuator electric tilt P | 83170     |

Prio  
Prio AB  
Prio 16"

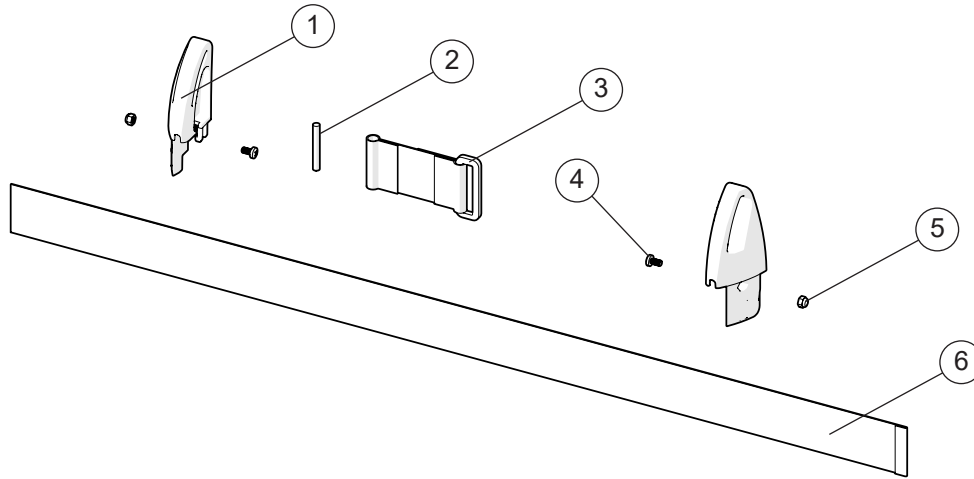
## Actuator, electric recline function cont.

| Pos. | Description                        | Item. no. | Prio | Prio AB | Prio 16" |
|------|------------------------------------|-----------|------|---------|----------|
|      |                                    |           |      |         |          |
| 19   | Plug controlbox electric tilt Prio | 51155     | ●    | ●       | ●        |
| 20   | Battery cabel electric tilt Prio   | 83167     | ●    | ●       | ●        |
| 21   | Cabel actuator electric tilt Prio  | 83164     | ●    | ●       | ●        |
| 22   | Control box electric tilt Prio     | 83166     | ●    | ●       | ●        |
| 23   | Battery electric tilt Prio         | 83168     | ●    | ●       | ●        |
| 24   | Bracket electric tilt Prio         | 83171     | ●    | ●       | ●        |
| 25   | Bracket handcontrol Prio           | 28577     | ●    | ●       | ●        |
| 26   | Handcontroll electric tilt Prio    | 83169     | ●    | ●       | ●        |
| 27   | Actuator electric tilt Prio        | 83165     | ●    | ●       | ●        |



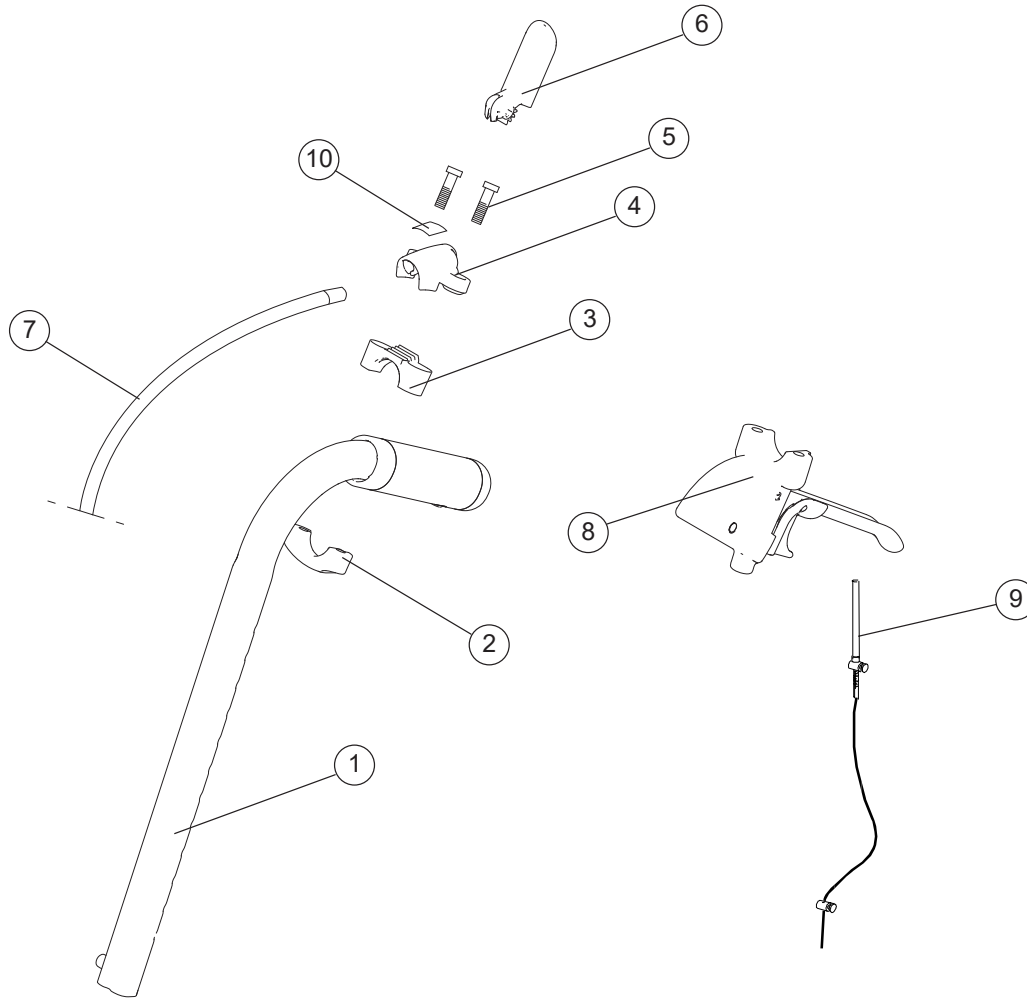


## Extension back 3A



| Pos. | Description                     | Item. no. | Prio | Prio AB | Prio 16" |
|------|---------------------------------|-----------|------|---------|----------|
| 1-6  | Extension back 3A 35-40 cpl     | 28658     | ●    | ●       | ●        |
|      | Extension back 3A 42,5-50 cpl   | 28659     | ●    | ●       | ●        |
|      | Extension back 3A 52,5-60 cpl   | 28660     | ●    | ●       | ●        |
| 1    | Extension back R                | 51223-1   | ●    | ●       | ●        |
|      | Extension back L                | 51223-2   | ●    | ●       | ●        |
| 2    | Tension rod                     | 51222     | ●    | ●       | ●        |
| 3    | Loop extension back 3A cpl      | 63294     | ●    | ●       | ●        |
| 4    | Screw M4x8 MRX black 4.8 pos    | 11441     | ●    | ●       | ●        |
| 5    | Locking nut M4 zink plated      | 12026     | ●    | ●       | ●        |
| 6    | Seat depth extension 35-40 cm   | 63291     | ●    | ●       | ●        |
|      | Seat depth extension 42,5-50 cm | 63292     | ●    | ●       | ●        |
|      | Seat depth extension 52,5-60 cm | 63293     | ●    | ●       | ●        |

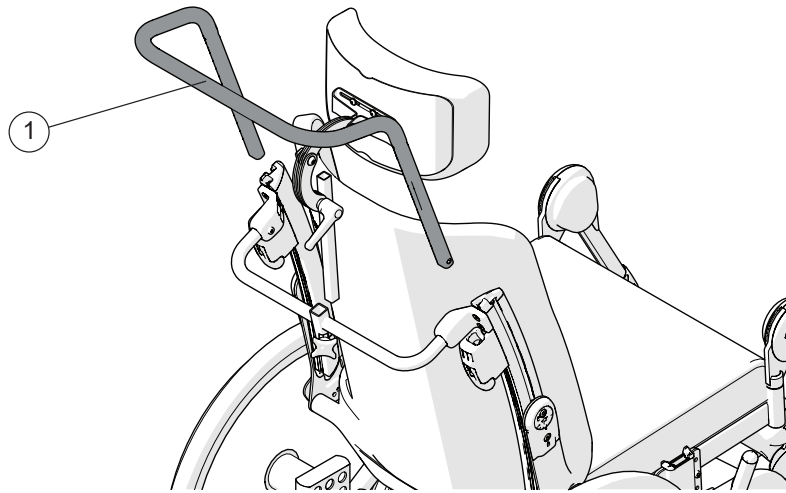
# Push handles



| Pos. | Description  | Item no. |
|------|--|----------|
| 1-7  | Push handle seat angle adj                         | 28220-01 |
|      | Push handle back tilt controls                     | 28219-01 |
| 1-9  | Push handle seat tilt brake controls               | 28222-01 |
|      | Push handle back tilt brake controls               | 28221-01 |
| 1    | Push handle  | 27588-01 |
| 2    | Attachment drum brake Prio                         | 51050    |
| 3    | Lower attachment wire control                      | 51034    |
| 4    | Upper attachment wire control                      | 51032    |
| 5    | Screw DG50 x 30 WN                                 | 11655    |
| 6    | Control Prio                                       | 51033    |
| 7    | Wire back support angle                            | 82663    |
|      | Wire seat tilt                                     | 82662    |
| 8    | Brake handle Prio compl (see section "Drum brake") |          |
| 9    | Wire kit drum brake (see section "Drum brake")     |          |
| 10   | Label tilt controls                                | 71373    |
|      | Label back support angle controls                  | 71374    |

Prio  
Prio AB  
Prio 16"

# Bow handle

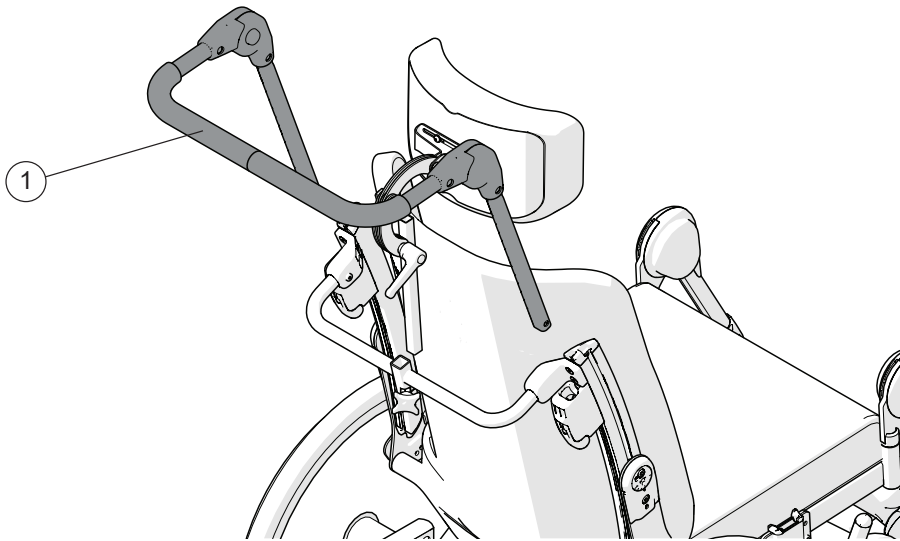


Prio  
Prio AB  
Prio 16"

| Pos. | Description                       | Item no. |
|------|-----------------------------------|----------|
| 1    | Bow handle 40 cm height adj compl | 25580-01 |
|      | Bow handle 45 cm height adj compl | 25582-01 |
|      | Bow handle 50 cm height adj compl | 26064-01 |
|      | Bow handle 55 cm height adj compl | 26069-01 |

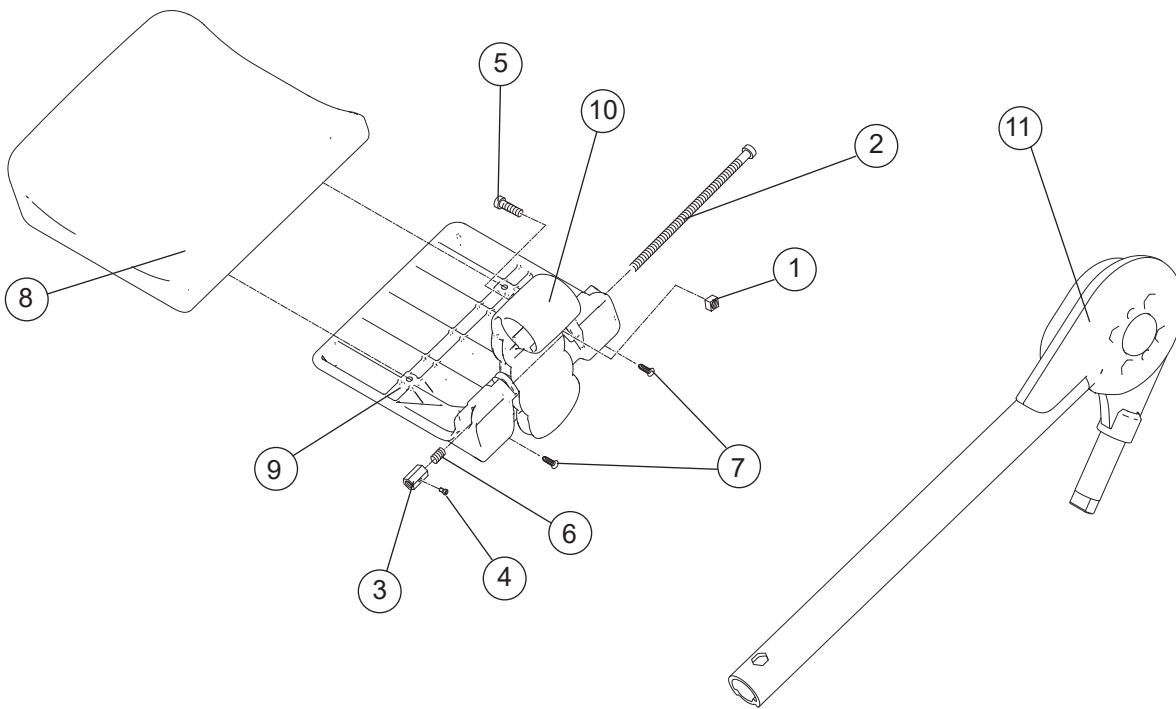
|   |   |   |
|---|---|---|
|   |   |   |
| ● | ● | ● |
| ● | ● | ● |
| ● | ● | ● |
| ● | ● | ● |

## Bow handle angle adjustable



| Pos. | Description                | Item no. | Prio | Prio AB | Prio 16" |
|------|----------------------------|----------|------|---------|----------|
| 1    | Bow handle angle adj 40 cm | 27163    | ●    | ●       | ●        |
|      | Bow handle angle adj 45 cm | 27165    | ●    | ●       | ●        |
|      | Bow handle angle adj 50 cm | 27167    | ●    | ●       | ●        |

# Leg support elevating

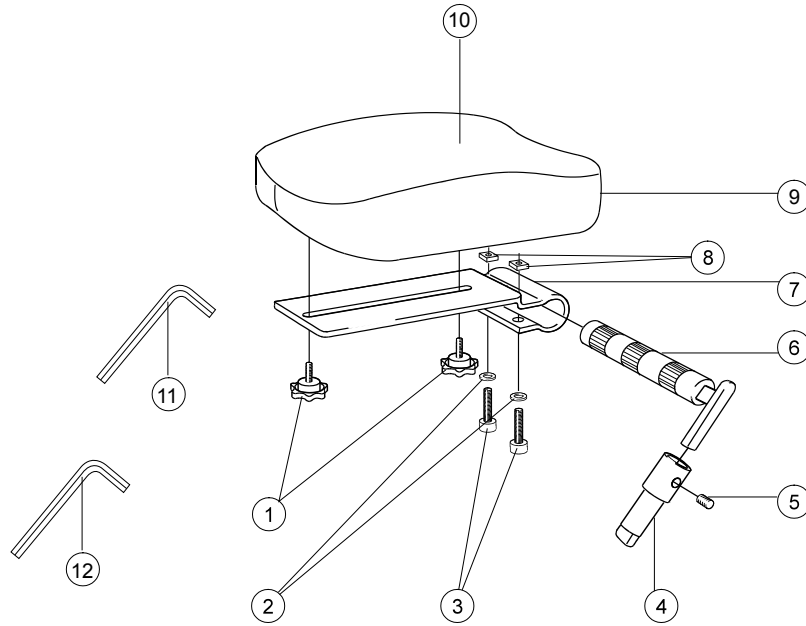


| Pos. | Description                             | Item no. | Prio | Prio AB | Prio 16" |
|------|---|----------|------|---------|----------|
| 1    | Nut attachment calf support             |          | ●    | ●       | ●        |
| 2    | Screw MC6S M6 x120 10.9                 |          | ●    | ●       | ●        |
| 3    | Nut M6 calf support                     |          | ●    | ●       | ●        |
| 4    | Screw M 4x 10 MC6S 8.8                  |          | ●    | ●       | ●        |
| 5    | Screw M 6x 20 MC6S 8.8                  |          | ●    | ●       | ●        |
| 6    | Spring                                  |          | ●    | ●       | ●        |
| 7    | Screw B 8x19 RXS/A2 ph st 4.2           | 11064    | ●    | ●       | ●        |
| 8    | (Pad calf support Prio 40 grey hygiene) |          | ●    | ●       | ●        |
| 9    | (Calf support)                          |          | ●    | ●       | ●        |
| 10   | (Attachment calf support)               |          | ●    | ●       | ●        |
| 1-10 | Calf support cpl 40 cm grey hygiene     | 27733-65 | ●    | ●       | ●        |
|      | Calf support cpl 45 cm grey hygiene     | 27734-65 | ●    | ●       | ●        |
|      | Calf support cpl 50 cm grey hygiene     | 27735-65 | ●    | ●       | ●        |
|      | Calf support cpl 55 cm grey hygiene     | 27736-65 | ●    | ●       | ●        |

## Leg support elevating

|      |   |            | Prio | Prio AB | Prio 16" |
|------|---|------------|------|---------|----------|
| Pos. | Description   | Item no.   |      |         |          |
| 11   | Leg support elevating right                                   | 27730-01-1 | ●    | ●       | ●        |
|      | Leg support elevating left                                    | 27730-01-2 | ●    | ●       | ●        |
| 1-11 | Leg support elevating Prio 40 cm green hygiene complete right | 27857-64-1 | ●    | ●       | ●        |
|      | Leg support elevating Prio 40 cm green hygiene complete left  | 27857-64-2 | ●    | ●       | ●        |
|      | Leg support elevating Prio 40 cm grey hygiene complete right  | 27857-65-1 | ●    | ●       | ●        |
|      | Leg support elevating Prio 40 cm grey hygiene complete left   | 27857-65-2 | ●    | ●       | ●        |
|      | Leg support elevating Prio 45 cm green hygiene complete right | 27858-64-1 | ●    | ●       | ●        |
|      | Leg support elevating Prio 45 cm green hygiene complete left  | 27858-64-2 | ●    | ●       | ●        |
|      | Leg support elevating Prio 45 cm grey hygiene complete right  | 27858-65-1 | ●    | ●       | ●        |
|      | Leg support elevating Prio 45 cm grey hygiene complete left   | 27858-65-2 | ●    | ●       | ●        |

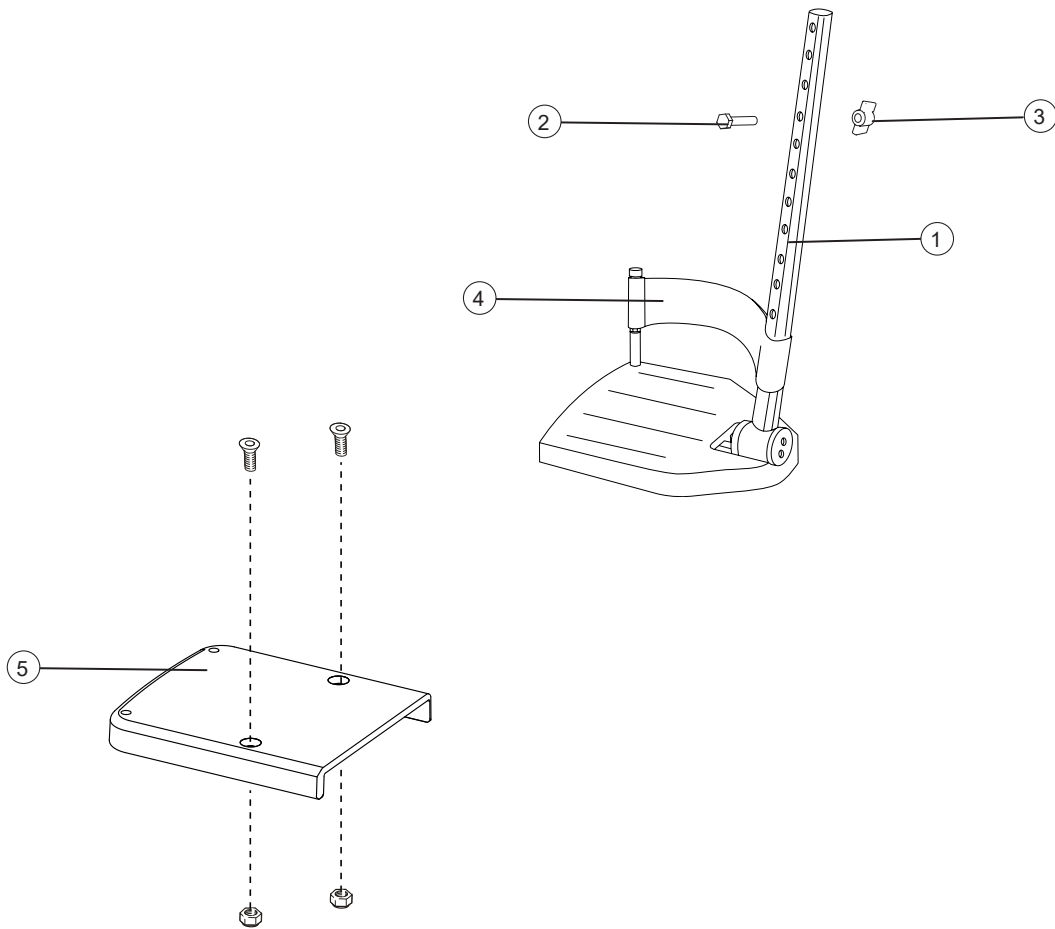
# Amputee leg support



| Pos. | Description                                     | Item no.   |
|------|---|------------|
| 1    | Knob M 5x15 leg support amputee                 | 80807      |
| 2    | Washer BRB 8.4/A2 stainless                     | 13011      |
| 3    | Screw M 8x 35 MC6S                              | 11276      |
| 4    | Locking tube for leg support amputee            | 25518-01   |
| 5    | Stop screw M 8x 8 black                         | 11388      |
| 6    | Axle leg support amputee compl                  | 25519-01   |
| 7    | Attachment calf support leg support amputee     | 80809      |
| 8    | Square nut high M8                              | 12056      |
| 9    | Support pad leg support amputee dark grey       | 62335-60   |
|      | Support pad leg support Dartex                  | 62335-63   |
|      | Support pad leg support amputee ri XL dark grey | 62452-60-1 |
|      | Support pad leg support amputee le XL dark grey | 62452-60-2 |
|      | Support pad leg support amputee ri XL dartex    | 62452-63-1 |
|      | Support pad leg support amputee le XL dartex    | 62452-63-2 |
| 10   | Cover leg support amputee dark grey             | 62893-60   |
|      | Cover leg support amputee Dartex                | 62893-63   |
|      | Cover leg support amputee XL ri dark grey       | 62450-60   |
|      | Cover leg support amputee XL ri Dartex          | 62450-63   |
|      | Cover leg support amputee XL le dark grey       | 62761-60   |
|      | Cover leg support amputee XL le Dartex          | 62761-63   |
| 11   | Allen key NV 4 DIN 911                          | 80141      |
| 12   | Allen key Nv 6 180 mm                           | 82625      |
| 1-12 | Amputee support compl Dark grey                 | 25516-60   |
|      | Amputee support compl Dartex                    | 25516-63   |
|      | Amputee support XL ri compl dark grey           | 26210-60-1 |
|      | Amputee support XL le compl dark grey           | 26210-60-2 |
|      | Amputee support XL right compl Dartex           | 26210-63-1 |
|      | Amputee support XL left compl Dartex            | 26210-63-2 |

Prio  
Prio AB  
Prio 16"

# Foot support

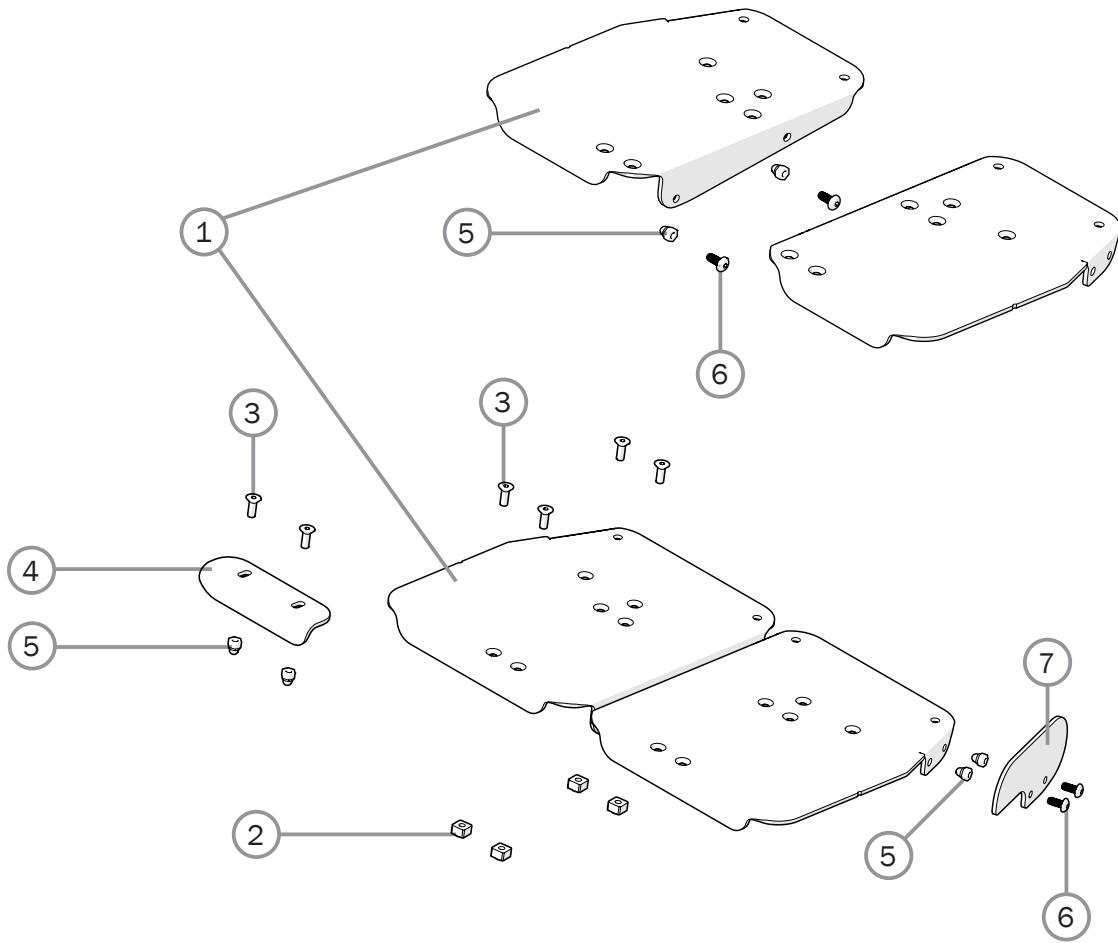


Prio  
Prio AB  
Prio 16"

| Pos. | Description   | Item. no. |   |   |   |
|------|---|-----------|---|---|---|
| 1-3  | Foot support depth 13 cm 40 cm right long attachment tube   | 25650-1   | ● | ● | ● |
|      | Foot support depth 13 cm 40 cm left long attachment tube    | 25650-2   | ● | ● | ● |
|      | Foot support depth 13 cm 45 cm right long attachment tube   | 25737-1   | ● | ● | ● |
|      | Foot support depth 13 cm 45 cm left long attachment tube    | 25737-2   | ● | ● | ● |
|      | Foot support depth 13 cm 50 cm right long attachment tube   | 25652-1   | ● | ● | ● |
|      | Foot support depth 13 cm 50 cm left long attachment tube    | 25652-2   | ● | ● | ● |
|      | Foot support depth 13 cm 40 cm right medium attachment tube | 25644-1   | ● | ● | ● |
|      | Foot support depth 13 cm 40 cm left medium attachment tube  | 25644-2   | ● | ● | ● |
|      | Foot support depth 13 cm 45 cm right medium attachment tube | 25736-1   | ● | ● | ● |
|      | Foot support depth 13 cm 45 cm left medium attachment tube  | 25736-2   | ● | ● | ● |
|      | Foot support depth 13 cm 50 cm right medium attachment tube | 25646-1   | ● | ● | ● |
|      | Foot support depth 13 cm 50 cm left medium attachment tube  | 25646-2   | ● | ● | ● |
| 2    | Screw M6x 30 M6S  | 11555     | ● | ● | ● |
| 3    | Wing nut 26-M 6   | 80847     | ● | ● | ● |
| 4    | Heel strap compl  | 24458     | ● | ● | ● |
| 5    | Foot support widened 52,5-60 cm compl                       | 28443     | ● | ● | ● |



# Foot support cont.



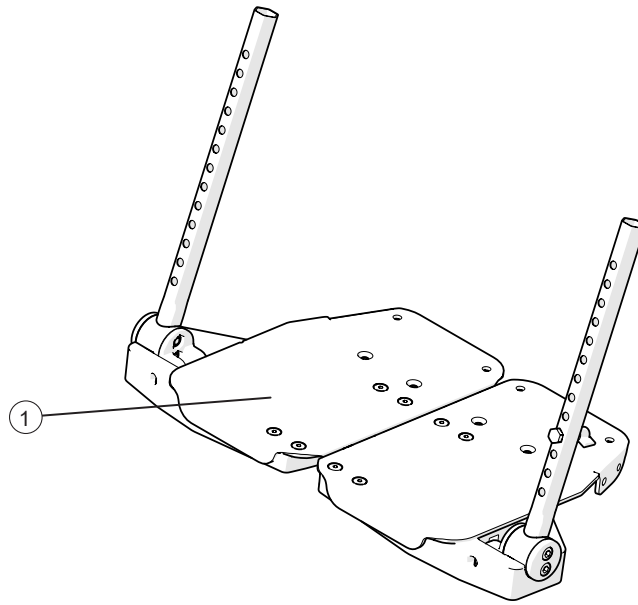
| Pos. | Description                          | Item no. |   |   |   |
|------|--------------------------------------|----------|---|---|---|
| 1-3  | Extender footplate M right           | 28775-1  | ● | ● | ● |
|      | Extender footplate M left            | 28775-2  | ● | ● | ● |
|      | Extender footplate L right           | 28776-1  | ● | ● | ● |
|      | Extender footplate L left            | 28776-2  | ● | ● | ● |
| 1    | Extender footplate M right           |          | ● | ● | ● |
|      | Extender footplate M left            |          | ● | ● | ● |
|      | Extender footplate L right           |          | ● | ● | ● |
|      | Extender footplate L left            |          | ● | ● | ● |
| 2    | Stop bar                             | 80661    | ● | ● | ● |
| 3    | Screw M5x14 MF6S Zn8/P esloc         | 11237    | ● | ● | ● |
| 3-6  | Guide one-piece footplate cpl        | 28773    | ● | ● | ● |
| 4    | Guide one-piece footplate            |          | ● | ● | ● |
| 5    | Locking nut M 5 domed zink plated    | 12168    | ● | ● | ● |
| 6    | Screw M5x12 K6S 10.9 zink plated     | 11208    | ● | ● | ● |
| 7    | Side protection footplate            | 83420    | ● | ● | ● |
| 5-7  | Side protection footplate cpl H35 mm | 28772    | ● | ● | ● |

Prio

Prio AB

Prio 16"

# Foot support one piece

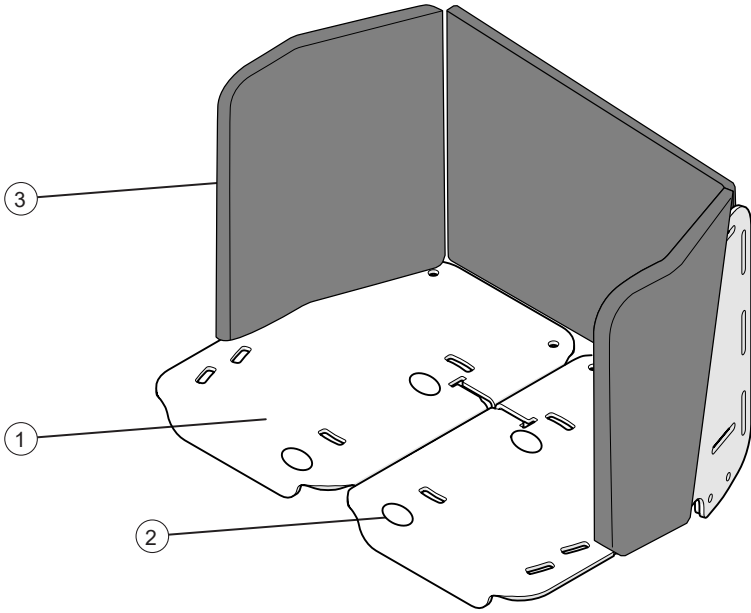


| Pos. | Description                   | Item no. |
|------|-------------------------------|----------|
| 1    | Foot support one piece=40 cpl | 28662    |
|      | Foot support one piece=45 cpl | 28663    |
|      | Foot support one piece=50 cpl | 28664    |
|      | Foot support one piece=55 cpl | 28665    |

Prio  
Prio AB  
Prio 16"

|   |   |   |
|---|---|---|
| ● | ● | ● |
| ● | ● | ● |
| ● | ● | ● |
| ● | ● | ● |

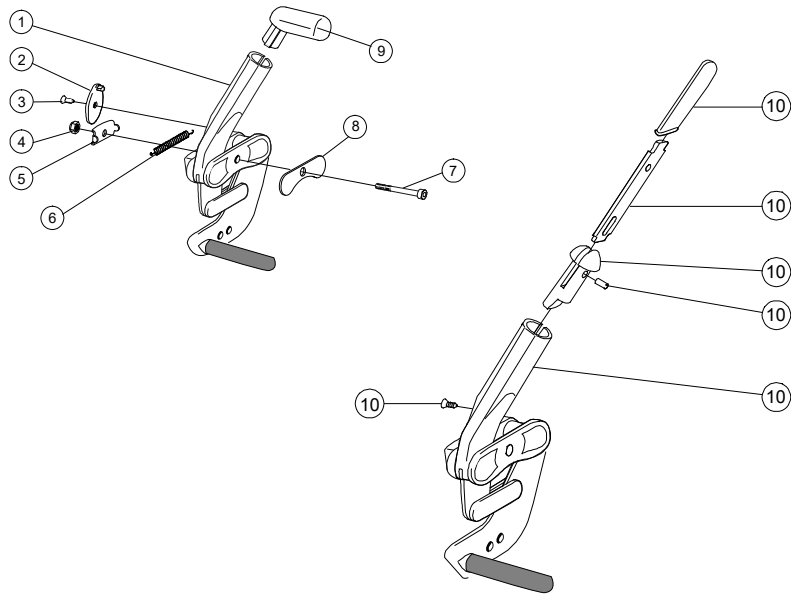
# Footbox



| Pos. | Description                | Item. no. |
|------|----------------------------|-----------|
| 1-3  | Footbox W=40-45 cm         | 28642     |
|      | Footbox W=50-55 cm         | 28643     |
| 1    | Footbox W=40-45 cm         |           |
|      | Footbox W=50-55 cm         |           |
| 2    | Screw kit                  |           |
| 3    | Padding footbox W=40-45 cm | 28778     |
|      | Padding footbox W=50-55 cm | 28779     |

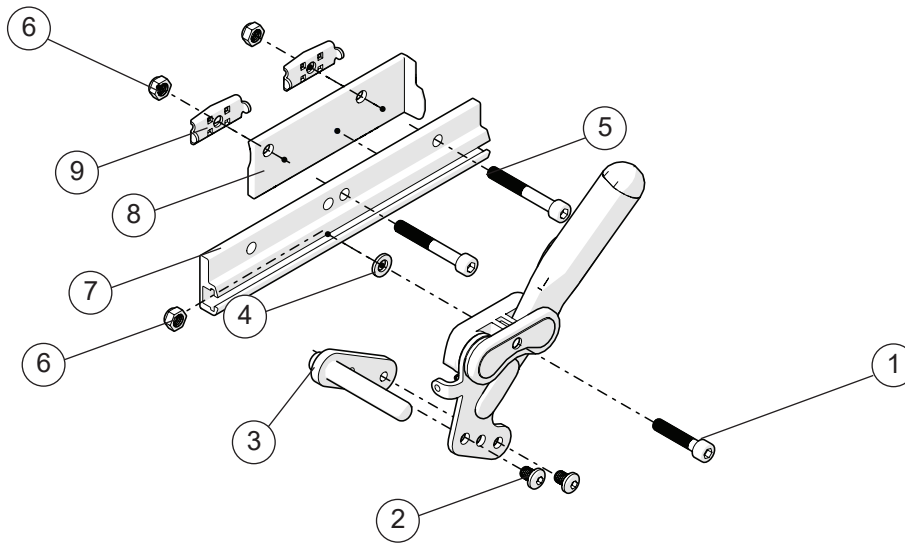
| Prio | Prio AB | Prio 16" |
|------|---------|----------|
| ●    | ●       | ●        |
| ●    | ●       | ●        |
| ●    | ●       | ●        |
| ●    | ●       | ●        |
| ●    | ●       | ●        |
| ●    | ●       | ●        |

# User brake



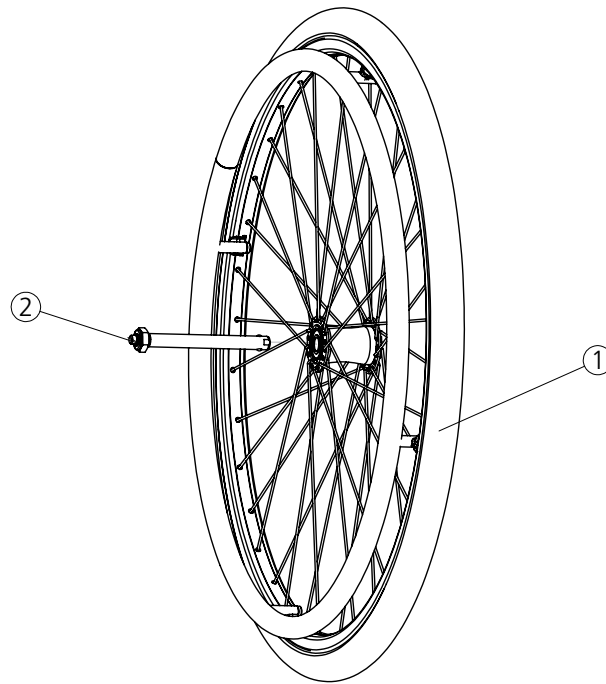
| Pos.   | Description                          | Item no. | Prio | Prio AB | Prio 16" |
|--------|--------------------------------------|----------|------|---------|----------|
| 1-9    | User brake angle red handle R Prio   | 27951-1  | ●    | ●       |          |
|        | User brake angle red handle L Prio   | 27951-2  | ●    | ●       |          |
|        | User brake angle black handle R Prio | 27894-1  | ●    | ●       |          |
|        | User brake angle black handle L Prio | 27894-2  | ●    | ●       |          |
| 2      | Stop detail brake Cross mod new      | 50373    | ●    | ●       |          |
| 3      | Screw B 6 3.5x 9.5 FXS black         | 11384    | ●    | ●       |          |
| 4      | Locking nut M 6 zink plated          | 12017    | ●    | ●       |          |
| 5      | Washer inner brake mod 3             | 82564    | ●    | ●       |          |
| 6      | Spring for brake Cross               | 80796    | ●    | ●       |          |
| 7      | Screw M6x 60 MC6S Zn8/P4             | 11408    | ●    | ●       |          |
| 8      | Washer outer brake mod 3             | 82575    | ●    | ●       |          |
| 9      | Plug brake Cross red                 | 51012    | ●    | ●       |          |
|        | Plug brake Cross black               | 50395    | ●    | ●       |          |
| 10     | Brake lever extension Cross compl    | 25515    | ●    | ●       |          |
| 1-8,10 | User brake extension handle R Prio   | 27895-1  | ●    | ●       |          |
|        | User brake extension handle L Prio   | 27895-2  | ●    | ●       |          |

# Brake adapter



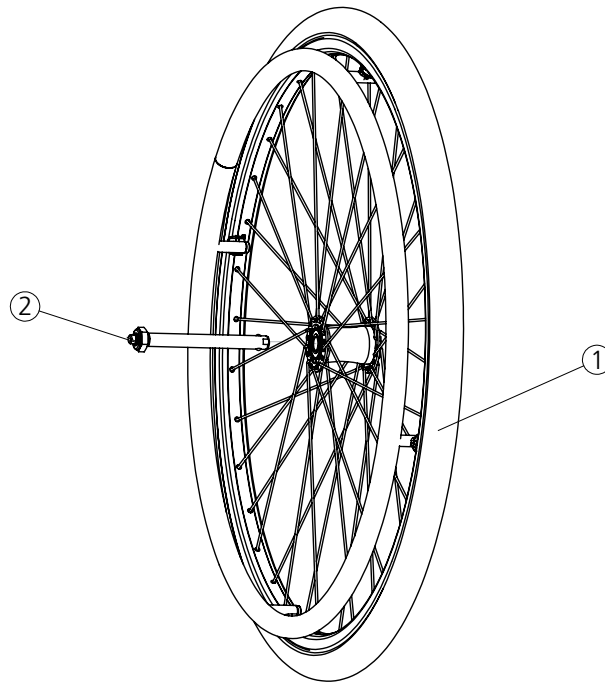
| Pos. | Benämning                       | Art. nr. | Prio | Prio AB | Prio 16" |
|------|---------------------------------|----------|------|---------|----------|
| 1-9  | Adapter brake Prio 16/20        | 28654    | ●    | ●       | ●        |
| 1    | Screw M6x45 MC6S 12.9 black     |          | ●    | ●       |          |
| 2    | Screw K6S M6x8 10.9 black       |          | ●    | ●       |          |
| 3    | Adapter brake arm Prio 20-22    |          | ●    | ●       |          |
| 2-3  | Adapter brake Prio 22           | 28403    | ●    | ●       |          |
| 4    | Washer 6.4x16x1,6               |          | ●    | ●       |          |
| 5    | Screw M6x 30 MC6S               |          | ●    | ●       |          |
| 6    | Locking nut M6 DIN 985-6        |          | ●    | ●       |          |
| 7    | Attachment brake                |          | ●    | ●       |          |
| 8    | Spacer brake adapter right Prio | 51148-1  | ●    | ●       |          |
|      | Spacer brake adapter left Prio  | 51148-2  | ●    | ●       |          |
| 9    | Washer inner brake mod 3        | 82564    | ●    | ●       |          |

# Rear wheel 20"



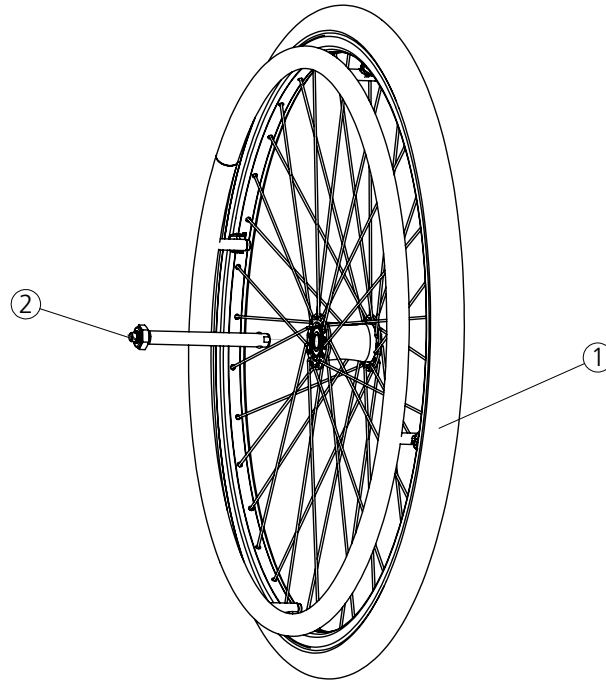
| Pos. | Description                                       | Item no. | Prio | Prio AB | Prio 16" |
|------|---|----------|------|---------|----------|
| 1    | Rear wheel 20" solid/alu M100                     | 82486    | ●    | ●       |          |
|      | Rear wheel 20" C5 solid/alu grey excl axle        | 27542    | ●    | ●       |          |
|      | Rear wheel 20" C5 solid/cellular rubber excl axle | 27543    | ●    | ●       |          |
|      | Rear wheel 20" C5 solid/stainless steel excl axle | 27544    | ●    | ●       |          |
| 2    | QR axle for M100 rear wheel steel hub             | 82483    | ●    | ●       |          |
|      | QR axle D12 Cross                                 | 82581    | ●    | ●       |          |

## Rear wheel 22"



| Pos. | Description   | Item no. |      |         |          |
|------|---|----------|------|---------|----------|
|      |   |          | Prio | Prio AB | Prio 16" |
| 1    | Rear wheel 22" solid/alu M100                                     | 82485    | ●    | ●       |          |
|      | Rear wheel 22" C5 high pressure handrim cellular rubber excl axle | 27548    | ●    | ●       |          |
|      | Rear wheel 22" C5 high pressure/plastic coated excl axle          | 27549    | ●    | ●       |          |
|      | Rear wheel 22" C5 high pressure/stainless steel excl axle         | 27550    | ●    | ●       |          |
|      | Rear wheel 22" C5 solid/alu excl axle                             | 27552    | ●    | ●       |          |
|      | Rear wheel 22" C5 solid/cellular rubber excl axle                 | 27553    | ●    | ●       |          |
|      | Rear wheel 22" C5 solid/plastic coated excl axle                  | 27554    | ●    | ●       |          |
|      | Rear wheel 22" C5 solid/stainless steel excl axle                 | 27555    | ●    | ●       |          |
| 2    | QR axle for M100 rear wheel steel hub                             | 82483    | ●    | ●       |          |
|      | QR axle D12 Cross   | 82581    | ●    | ●       |          |

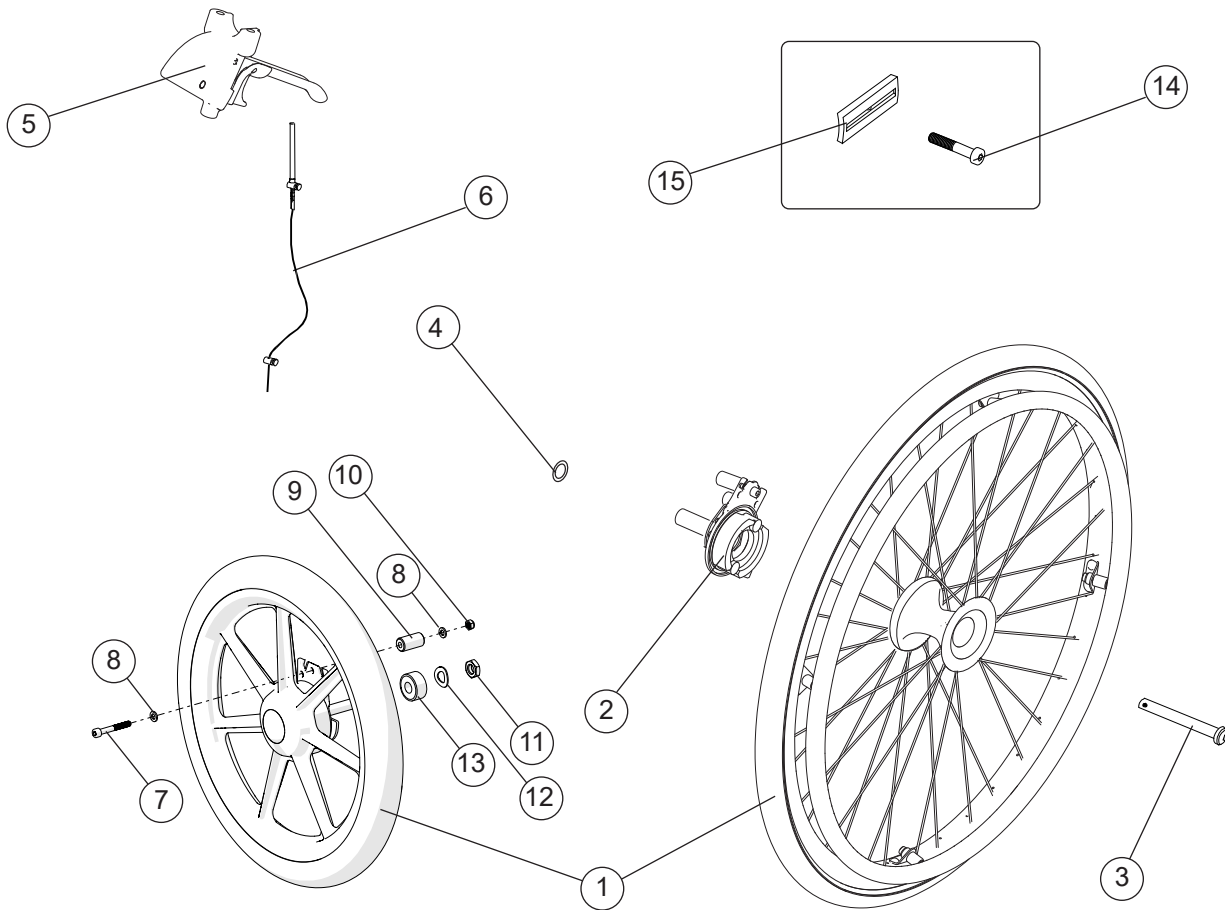
## Rear wheel 24"



| Pos. | Description  | Item no. | Prio | Prio AB | Prio 16" |
|------|--|----------|------|---------|----------|
| 1    | Rear wheel 24" solid/alu M100  | 82484    | ●    | ●       |          |
|      | Rear wheel 24" high pressure/cellular rubber Schwalbe Rightrun excl axle | 28582    | ●    | ●       |          |
|      | Rear wheel 24" high pressure/plastic coated Schwalbe Rightrun excl axle  | 28583    | ●    | ●       |          |
|      | Rear wheel 24" high pressure/stainless steel Schwalbe Rightrun excl axle | 28584    | ●    | ●       |          |
|      | Rear wheel 24" C5 solid/without handrim excl axle                        | 27563    | ●    | ●       |          |
|      | Rear wheel 24" C5 solid/alu excl axle                                    | 27564    | ●    | ●       |          |
|      | Rear wheel 24" C5 solid/cellular rubber excl axle                        | 27565    | ●    | ●       |          |
|      | Rear wheel 24" C5 solid/plastic coated excl axle                         | 27566    | ●    | ●       |          |
|      | Rear wheel 24" C5 solid/stainless steel excl axle                        | 27567    | ●    | ●       |          |
| 2    | QR axle for M100 rear wheel steel hub                                    | 82483    | ●    | ●       |          |
|      | QR axle D12 Cross  | 82581    | ●    | ●       |          |

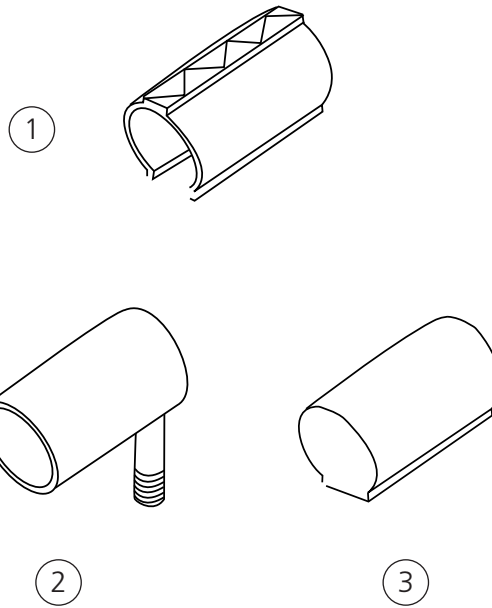


# Attendant brake



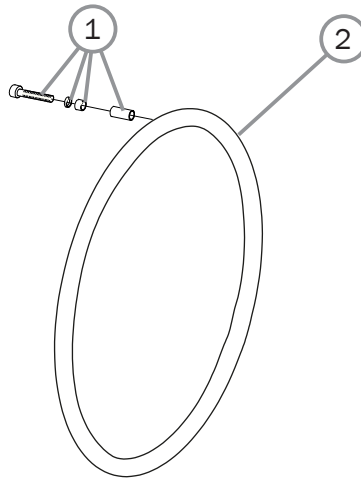
| Pos.         | Description                                       | Item no. | Prio | Prio AB | Prio 16" |
|--------------|---|----------|------|---------|----------|
| 1            | Rear wheel 20 attendant brake                     | 81337    | ●    | ●       |          |
|              | Rear wheel 22 attendant brake                     | 81339    | ●    | ●       |          |
|              | Rear wheel 24 attendant brake                     | 81346    | ●    | ●       |          |
|              | Wheel 16 solid Transit right                      | 83283    |      |         | ●        |
|              | Wheel 16 solid Transit left                       | 83284    |      |         | ●        |
| 2            | Brake shoe kit attendant brake Prio right         | 82822    | ●    | ●       |          |
|              | Brake shoe kit attendant brake Prio left          | 82823    | ●    | ●       |          |
| 3            | Qr axle attendant brake                           | 81325    | ●    | ●       |          |
| 4            | Schnorr washer 17x24x1.3                          | 13084    | ●    | ●       |          |
| 5            | Brake handle Prio compl                           | 82585    | ●    | ●       | ●        |
| 6            | Wire kit attendant brake                          | 82856    | ●    | ●       | ●        |
| 7            | Screw M6x 45 MC6S 12.9 black                      |          |      |         | ●        |
| 8            | Washer brb 11.8x6.5x1.5                           |          |      |         | ●        |
| 9            | Spacer 6.5x15.9x30                                |          |      |         | ●        |
| 10           | Nut M6 Zn8/P4 DIN 985-6                           |          |      |         | ●        |
| 11           | Nut M12 FZB DIN 439B                              | 12078    |      |         | ●        |
| 12           | Spring washer 13x24x1.2 DIN 137B fzb              |          |      |         | ●        |
| 13           | Spacer 12x24x10                                   |          |      |         | ●        |
| 14           | Screw M6x65 MC6S 12.9 fzb                         | 11236    | ●    | ●       |          |
| 15           | Adapter brake 5 mm                                | 51019    | ●    | ●       |          |
| 2-6<br>14-15 | Assembly kit attendant brake Prio 20" , 22" , 24" | 28423    | ●    | ●       |          |
| 5-13         | Assembly kit 16"                                  | 28459    |      |         | ●        |
|              | Push handles, see section "Push handles"          |          |      |         |          |

# Tyre and innertube



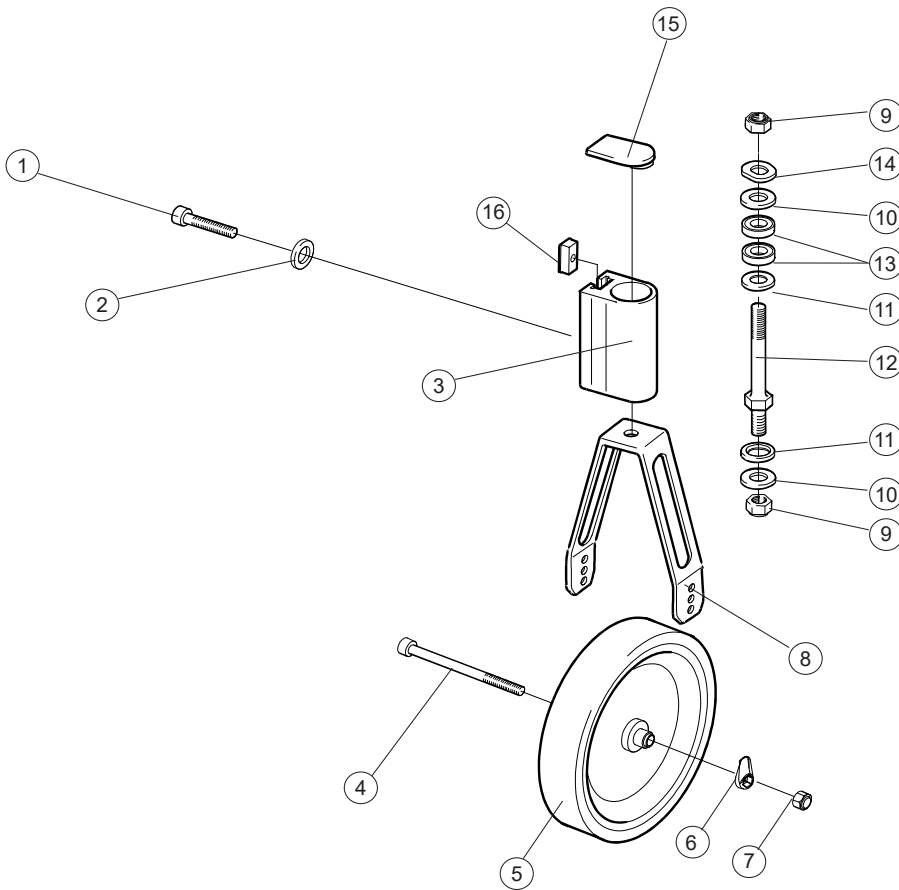
| Pos. | Description                           | Item no. | Prio | Prio AB | Prio 16" |
|------|---------------------------------------|----------|------|---------|----------|
| 1    | Tyre 20" solid                        | 80787    | ●    | ●       |          |
|      | Tyre 20" pneumatic                    | 80133    | ●    | ●       |          |
|      | Tyre 22" solid                        | 81384    | ●    | ●       |          |
|      | Tyre 22"x1" pneumatic high pressure   | 81125    | ●    | ●       |          |
|      | Tyre 24" solid                        | 80768    | ●    | ●       |          |
|      | Tyre 24" Schwalbe Rightrun            | 83300    | ●    | ●       |          |
|      | Tyre 24" Schwalbe Marathon plus       | 83301    | ●    | ●       |          |
| 2    | Innertube 20" pneumatic               | 80132    | ●    | ●       |          |
|      | Innertube 22" pneumatic high pressure | 80136    | ●    | ●       |          |
|      | Innertube 24" pneumatic high pressure | 80560    | ●    | ●       |          |
| 3    | Innertube 20" massive                 | 82706    | ●    | ●       |          |
|      | Innertube 22" massive                 | 82705    | ●    | ●       |          |
|      | Innertube 24" massive                 | 82704    | ●    | ●       |          |

# Handrims



| Pos.                         | Description  | Item no. | Prio | Prio AB | Prio 16" |
|------------------------------|--|----------|------|---------|----------|
| 1                            | Attachment kit handrim titanium/aluminium/cellular/stainless | 24514    | ●    | ●       |          |
| 2                            | <b>20" Rear wheel</b>  |          |      |         |          |
|                              | Handrim D465 wheel 20" alu                                   | 81109    | ●    | ●       |          |
|                              | Handrim D465 wheel 20" vinyl                                 | 81229    | ●    | ●       |          |
|                              | Handrim D425 wheel 20" cellular, clip mounted                | 24442    | ●    | ●       |          |
|                              | Handrim D465 wheel 20" stainless                             | 21034    | ●    | ●       |          |
|                              | Handrim D465 wheel 20" stainless                             | 83006    | ●    | ●       |          |
|                              | Handrim D465 wheel 20" vinyl                                 | 83010    | ●    | ●       |          |
|                              | <b>22" Rear wheel</b>  |          |      |         |          |
|                              | Handrim D500 wheel 22" alu                                   | 25636    | ●    | ●       |          |
|                              | Handrim D500 wheel 22" stainless                             | 24395    | ●    | ●       |          |
|                              | Handrim D500 wheel 22" vinyl                                 | 80895    | ●    | ●       |          |
|                              | Handrim D469 wheel 22" cellular, clip mounted                | 24551    | ●    | ●       |          |
|                              | Handrim D500 wheel 22" stainless                             | 83007    | ●    | ●       |          |
|                              | Handrim D500 wheel 22" vinyl                                 | 83011    | ●    | ●       |          |
|                              | <b>24" Rear wheel</b>  |          |      |         |          |
|                              | Handrim D540 wheel 24" alu                                   | 25181    | ●    | ●       |          |
|                              | Handrim D540 wheel 24" stainless                             | 24023    | ●    | ●       |          |
|                              | Handrim D540 wheel 24" vinyl                                 | 82998    | ●    | ●       |          |
|                              | Handrim D540 wheel 24" cellular clip mounted                 | 80800    | ●    | ●       |          |
|                              | Handrim D540 wheel 24" stainless                             | 83008    | ●    | ●       |          |
| Handrim D540 wheel 24" vinyl | 83012  | ●        | ●    |         |          |

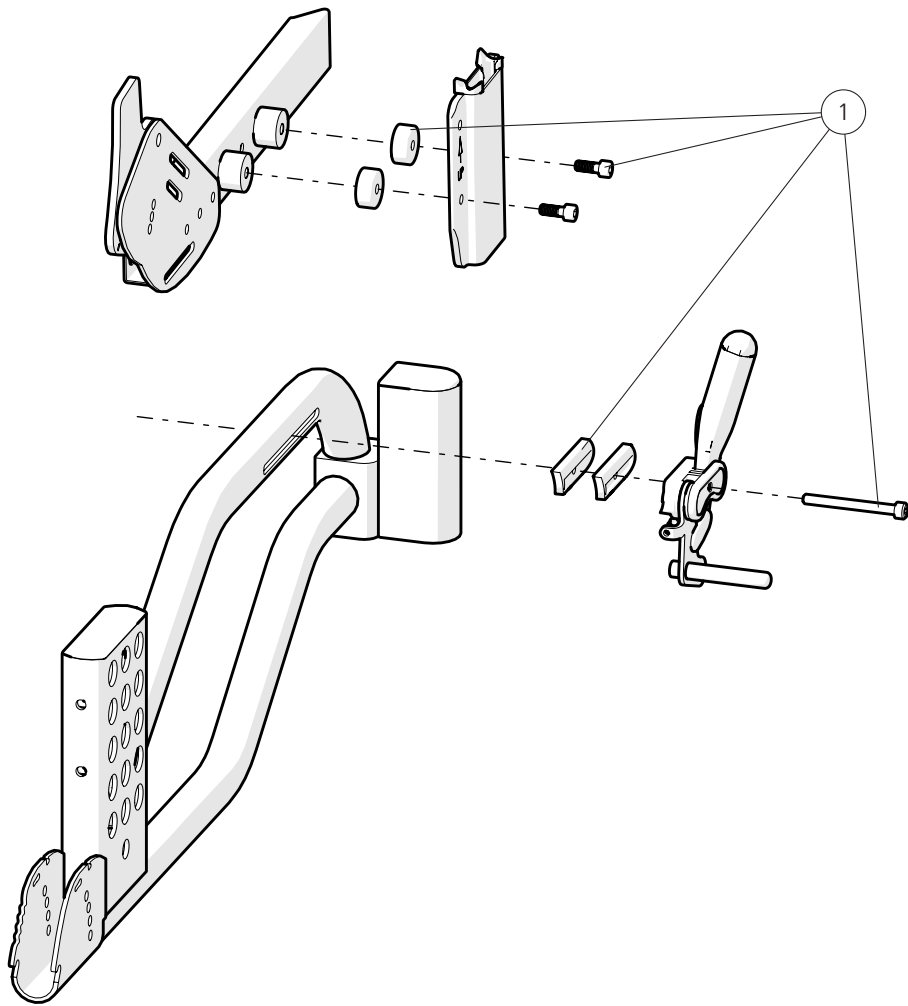
# Castor



| Pos. | Benämning                              | Art. nr. |   |   |   |
|------|--|----------|---|---|---|
| 1    | Screw M8x1x40 MC6S 12.9 black          | 11305    | ● | ● | ● |
| 2    | Locking washer                         | 13092    | ● | ● | ● |
| 3    | Front fork housing 6063 HIT T6 4104-06 | 80606    | ● | ● | ● |
|      | Front fork housing widened             | 80899    | ● | ● | ● |
| 4    | Screw M 6x 75 MC6S 12.9 black          | 11338    | ● | ● | ● |
| 5    | Wheel                                  |          |   |   |   |
| 6    | Cover wheel axle PA 6                  | 51135    | ● | ● | ● |
| 7    | Locking nut M6 DIN 985-6 black         | 12035    | ● | ● | ● |
| 4-7  | Castor wheel 6 150x30 solid soft       | 28216    | ● | ● | ● |
|      | Castor wheel 6,5 165x30 solid hard     | 28396    | ● | ● | ● |
|      | Castor wheel 7 175x45 solid soft       | 27867    | ● | ● | ● |
|      | Castor wheel 8 200x35 solid hard       | 28217    | ● | ● | ● |
|      | Castor wheel 8 200x50 solid hard       | 28218    | ● | ● | ● |
| 8    | Front fork std                         |          |   |   |   |
|      | Front fork short                       |          |   |   |   |
| 8-12 | Front fork std incl shaft              | 28422    | ● | ● | ● |
|      | Front fork short incl shaft            | 28421    | ● | ● | ● |
| 9    | Locking nut low black                  | 12077    | ● | ● | ● |
| 10   | Washer BRB 13.5 black                  | 13031    | ● | ● | ● |
| 11   | Washer BRB 13.5 black with chamfer     | 13032    | ● | ● | ● |
| 12   | Shaft front fork steel                 | 20526    | ● | ● | ● |
| 13   | Ball bearing EE4 2RS                   | 80244    | ● | ● | ● |
| 14   | Washer 13x24x1.2 DIN 137B zink plated  | 13040    | ● | ● | ● |
| 15   | Cover front fork housing               | 50224    | ● | ● | ● |
| 16   | Slot nut                               | 82922    | ● | ● | ● |

Prio  
Prio AB  
Prio 16"

# Widening kit



| Pos. | Description        | Item no. |
|------|--------------------|----------|
| 1    | Widening kit 25 mm | 27892    |

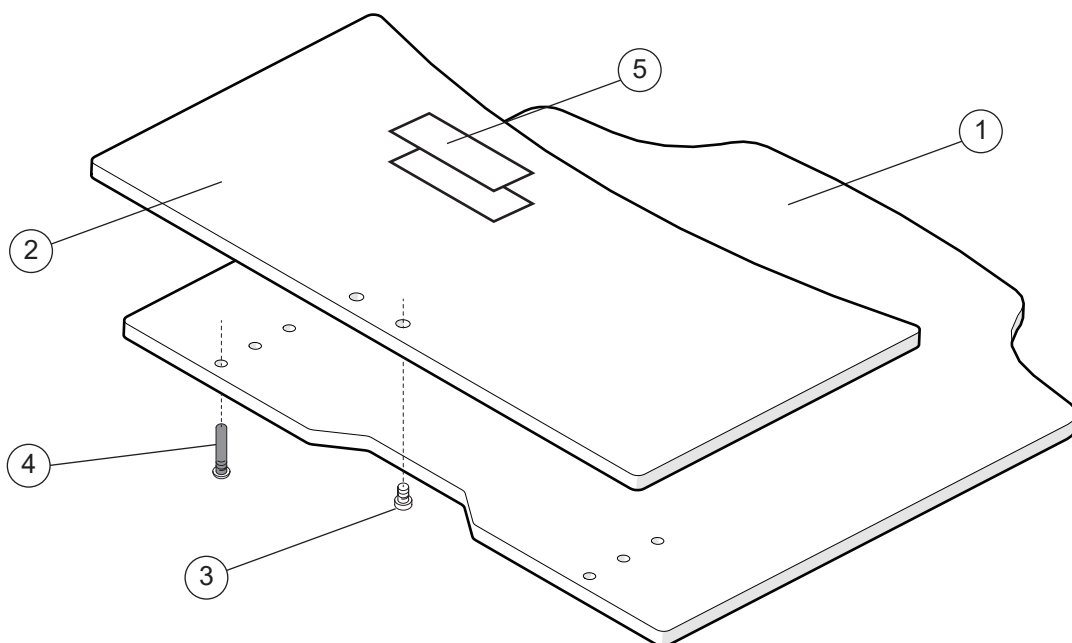
Prio

Prio AB

Prio 16"



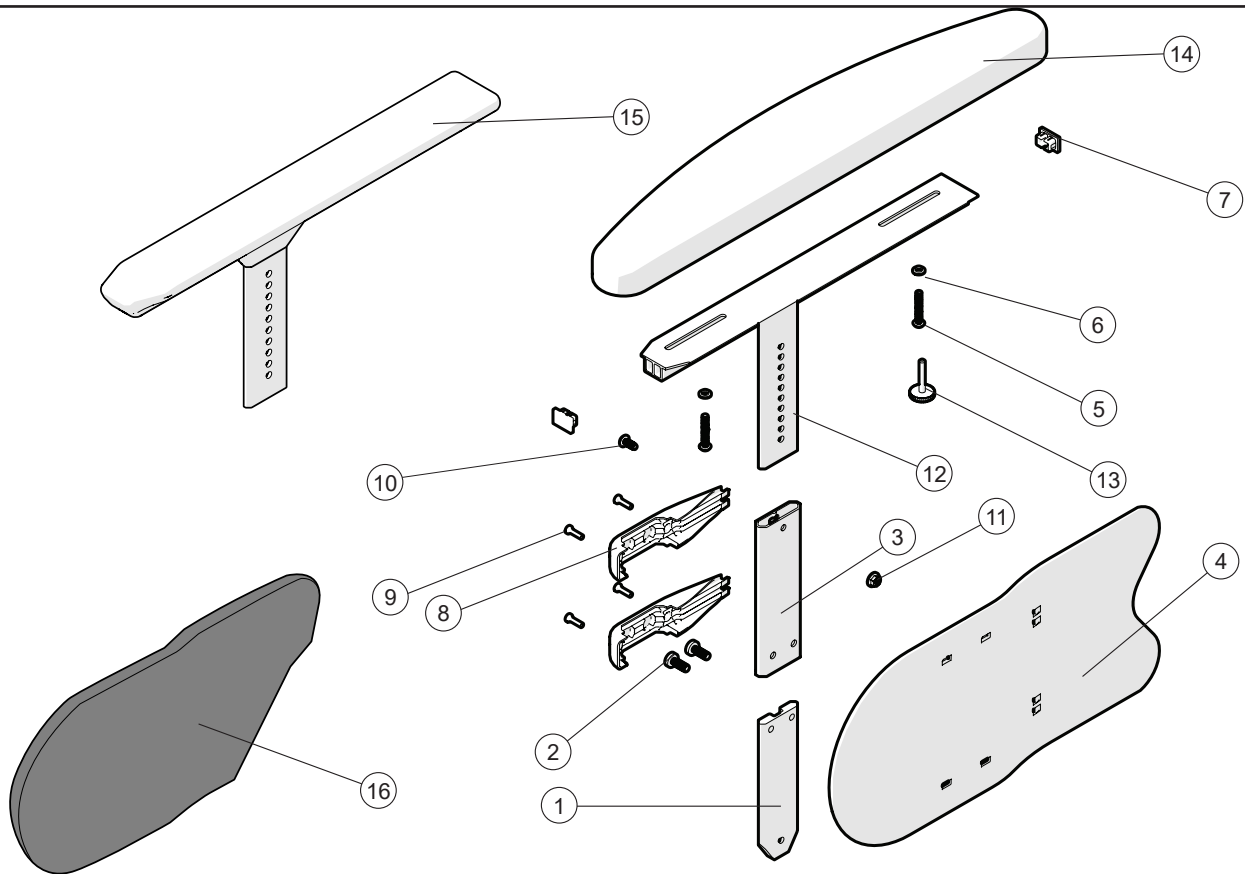
## Solid seat



Prio  
Prio AB  
Prio 16"

| Pos. | Description                               | Item no. |   |   |   |
|------|---|----------|---|---|---|
| 1    | Seat solid lower 40 cm Prio               | 82777    | ● | ● | ● |
|      | Seat solid lower 45 cm Prio               | 82778    | ● | ● | ● |
|      | Seat solid lower 50 cm Prio               | 82779    | ● | ● | ● |
|      | Seat solid lower 55 cm Prio               | 82780    | ● | ● | ● |
|      | Seat solid lower 40 cm Prio plastic       | 51121    | ● | ● | ● |
|      | Seat solid lower 45 cm Prio plastic       | 51122    | ● | ● | ● |
|      | Seat solid lower 50 cm Prio plastic       | 51123    | ● | ● | ● |
|      | Seat solid lower 55 cm Prio plastic       | 51124    | ● | ● | ● |
| 2    | Seat solid upper cpl 40 short Prio        | 82952    | ● | ● | ● |
|      | Seat solid upper cpl 45 short Prio        | 82953    | ● | ● | ● |
|      | Seat solid upper cpl 50 short Prio        | 82954    | ● | ● | ● |
|      | Seat solid upper cpl 55 short Prio        | 82955    | ● | ● | ● |
|      | Seat solid upper cpl 40 long Prio plastic | 51125    | ● | ● | ● |
|      | Seat solid upper cpl 45 long Prio plastic | 51126    | ● | ● | ● |
|      | Seat solid upper cpl 50 long Prio plastic | 51127    | ● | ● | ● |
|      | Seat solid upper cpl 55 long Prio plastic | 51128    | ● | ● | ● |
| 3    | Screw M 6x 14 MC6LS SW5 Zn8/P4            | 11539    | ● | ● | ● |
| 4    | Fixing pin                                | 51114    | ● | ● | ● |
| 5    | Velcro kit                                | 28183    | ● | ● | ● |

# Arm support



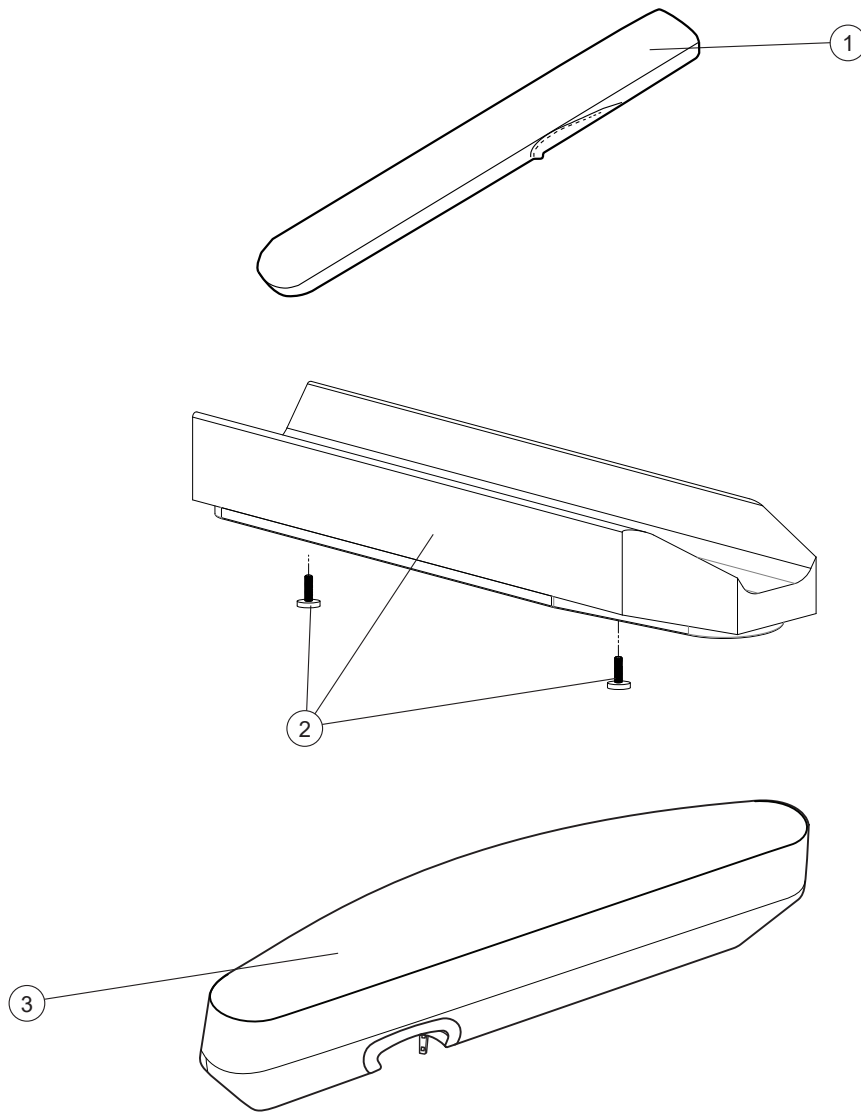
| Pos.     | Description                              | Item no. |   |   |   |
|----------|--|----------|---|---|---|
| 1-14     | Arm support telescope L49 ri             | 28687-1  | ● | ● | ● |
|          | Arm support telescope L49 le             | 28687-2  | ● | ● | ● |
|          | Arm support telescope L49 ri fingerscrew | 28688-1  | ● | ● | ● |
|          | Arm support telescope L49 le fingerscrew | 28688-2  | ● | ● | ● |
| 1-13, 15 | Arm support telescope L38 ri             | 28713-1  | ● | ● | ● |
|          | Arm support telescope L38 le             | 28713-2  | ● | ● | ● |
| 1-13     | Arm support telescope without cushion ri | 28513-1  | ● | ● | ● |
|          | Arm support telescope without cushion le | 28513-2  | ● | ● | ● |
| 1        | Profile                                  |          | ● | ● | ● |
| 2        | Screw                                    |          | ● | ● | ● |
| 3        | Profile sleeve                           |          | ● | ● | ● |
| 4        | Side guard                               | 51169    | ● | ● | ● |
| 5        | Screw M5x30                              | 11446    | ● | ● | ● |
| 6        | Joint bushing                            | 50285    | ● | ● | ● |
| 7        | End cap                                  | 51195    | ● | ● | ● |
| 8        | Clamp side guard                         | 51208    | ● | ● | ● |
| 9        | Screw K40x14                             | 11419    | ● | ● | ● |
| 10       | Screw M5x12                              | 11208    | ● | ● | ● |
| 11       | Locking nut M5 M6MF fzb                  | 12060    | ● | ● | ● |
| 12       | Arm support profile ri                   |          | ● | ● | ● |
|          | Arm support profile le                   |          | ● | ● | ● |
| 13       | Fingerscrew                              | 83803    | ● | ● | ● |
| 14       | Arm support cushion                      | 82664    | ● | ● | ● |
| 15       | Arm support solid plate ri               |          | ● | ● | ● |
|          | Arm support solid plate le               |          | ● | ● | ● |
| 16       | Padding side guard ri                    | 63271-1  | ● | ● | ● |
|          | Padding side guard le                    | 63271-2  | ● | ● | ● |

Prio

Prio AB

Prio 16"

# Arm support



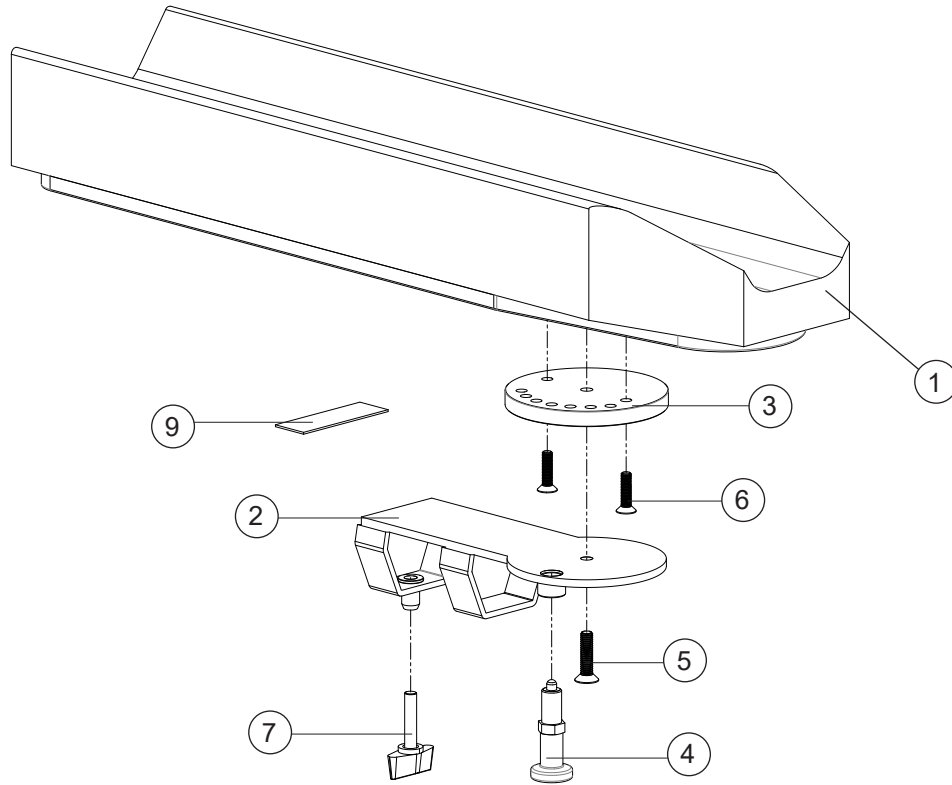
| Pos. | Description                          | Item no.   |
|------|--------------------------------------|------------|
| 1    | Cover arm support long               | 62283-60   |
|      | Cover arm support gel long           | 26241-60   |
|      | Cover arm support long Dartex        | 62283-63   |
|      | Cover arm support gel long Dartex    | 26241-63   |
| 2    | Arm support pad soft wide incl screw | 28640      |
| 3    | Arm support pad Prio ri              | 63193-60-1 |
|      | Arm support pad Prio le              | 63193-60-2 |

Prio  
Prio AB  
Prio 16"

|   |   |   |
|---|---|---|
|   |   |   |
| ● | ● | ● |
| ● | ● | ● |
| ● | ● | ● |
| ● | ● | ● |
| ● | ● | ● |
| ● | ● | ● |



# Arm support Hemi



| Pos. | Description                       | Item. no.  |
|------|-----------------------------------|------------|
| 1-7  | Arm support pad hemi right        | 25770-60-1 |
|      | Arm support pad hemi left         | 25770-60-2 |
| 1    | Arm support pad hemi              | 62910-60   |
| 2    | Attachment arm support hemi right | 27265-1    |
|      | Attachment arm support hemi left  | 27265-2    |
| 3    | Turntable right                   | 27280-1    |
|      | Turntable left                    | 27280-2    |
| 4    | Adjusting bolt M10x1              | 82338      |
| 5    | Screw M6x25 MF6S svkr esloc       | 11430      |
| 6    | Screw M5x20 MF6S black chrome     | 11526      |
| 7    | Handle M6x30                      | 82033      |

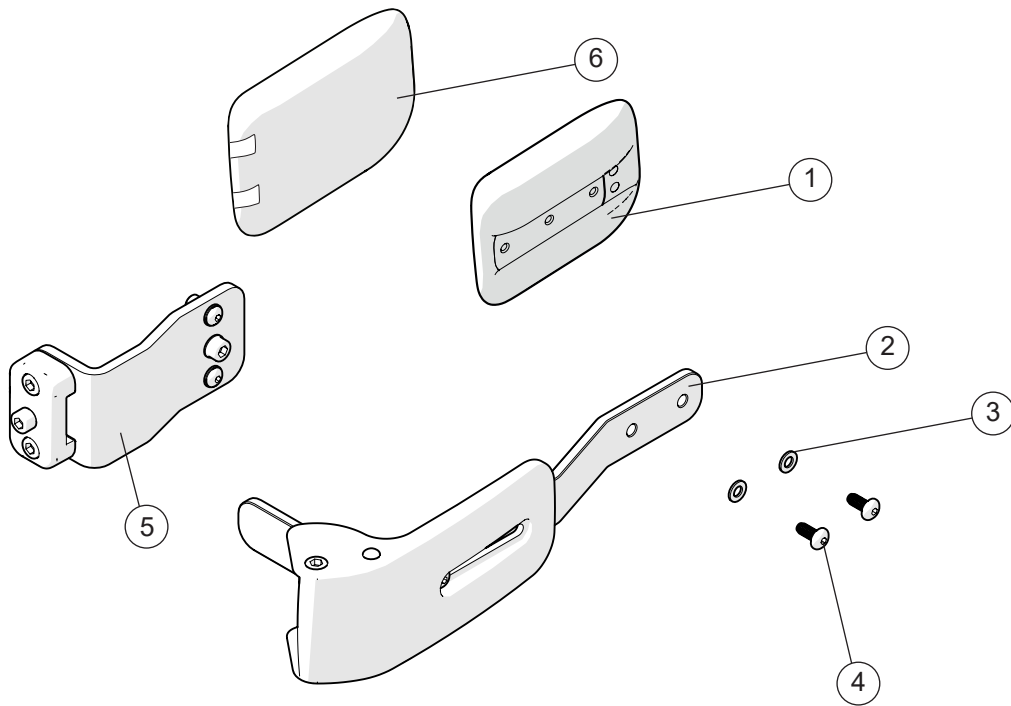
Prio

Prio AB

Prio 16"

|   |   |   |
|---|---|---|
|   |   |   |
| ● | ● | ● |
| ● | ● | ● |
| ● | ● | ● |
| ● | ● | ● |
| ● | ● | ● |
| ● | ● | ● |
| ● | ● | ● |
| ● | ● | ● |

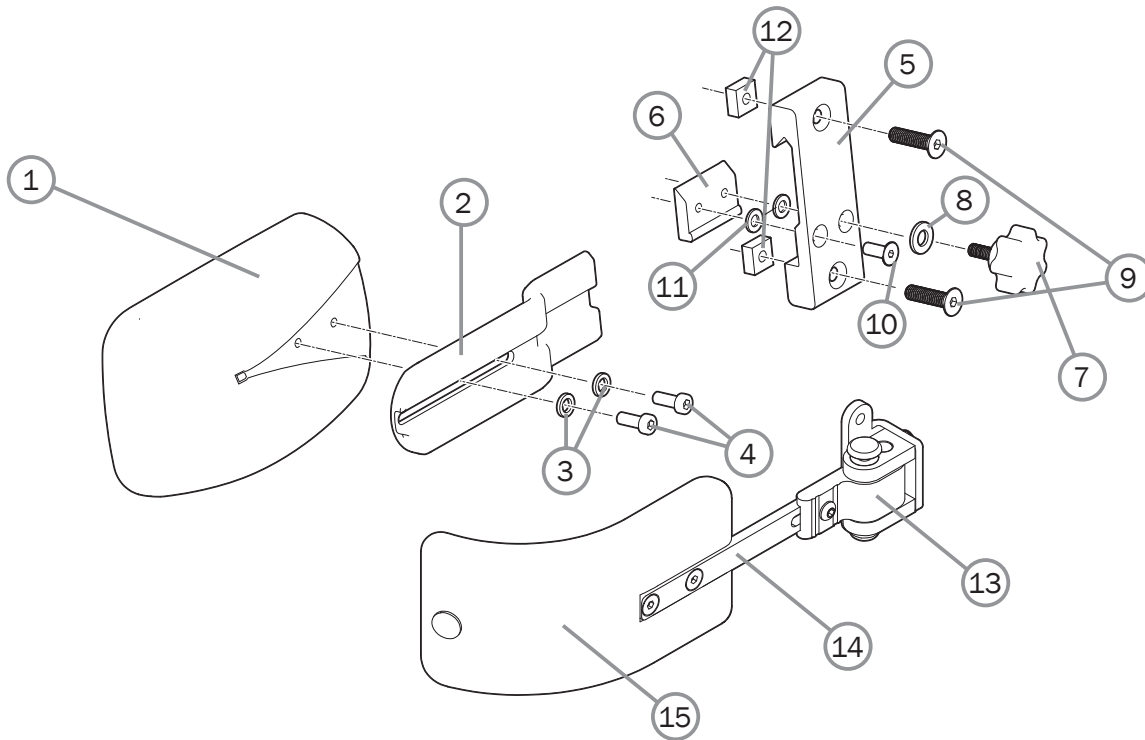
# Trunk support



| Pos. | Description                                     | Item. no. | Prio | Prio AB | Prio 16" |
|------|---|-----------|------|---------|----------|
| 1-5  | Trunk support Prio incl attachment right        | 28181-1   | ●    | ●       | ●        |
|      | Trunk support Prio incl attachment left         | 28181-2   | ●    | ●       | ●        |
|      | Trunk support Prio incl attachment right -15 mm | 28180-1   | ●    | ●       | ●        |
|      | Trunk support Prio incl attachment left -15 mm  | 28180-2   | ●    | ●       | ●        |
|      | Trunk support Prio incl attachment right -45 mm | 28141-1   | ●    | ●       | ●        |
|      | Trunk support Prio incl attachment left -45 mm  | 28141-1   | ●    | ●       | ●        |
| 1    | Trunk support pad                               | 83005     | ●    | ●       | ●        |
| 2    | Trunk support arm                               |           | ●    | ●       | ●        |
| 3    | Washer 5.3x10x1 BRB DIN 125                     | 13017     | ●    | ●       | ●        |
| 4    | Screw M 5x 12 K6S 10.9                          | 11208     | ●    | ●       | ●        |
| 5    | Trunk support attachment 3A compl               | 28146     | ●    | ●       | ●        |
| 6    | Cover trunk support                             | 28647     | ●    | ●       | ●        |

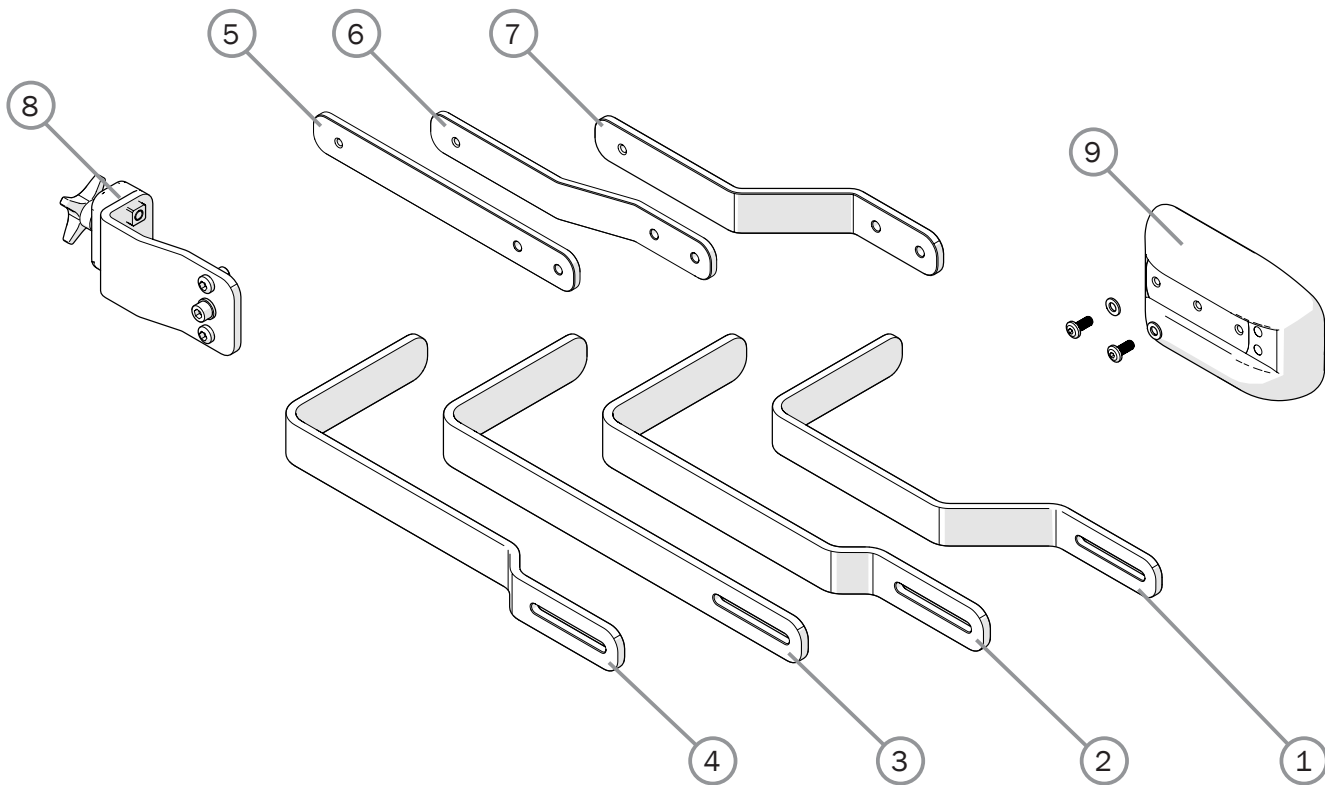
See page 36 for different bars

# Trunk support



| Pos. | Description   | Item. no. | Prio | Prio AB | Prio 16" |
|------|---|-----------|------|---------|----------|
| 1-12 | Trunk support Cross back mod 3 incl attachment      | 27395     | ●    | ●       | ●        |
| 1    | Trunk supp pad curved small Dartex Cross back mod 3 | 82491     | ●    | ●       | ●        |
| 2    | Bracket trunk support                               | 82507     | ●    | ●       | ●        |
| 3    | Spring washer 6.1x9.9x1.6 DIN 7980                  | 13014     | ●    | ●       | ●        |
| 4    | Screw M 5x 12 K6S 10.9 zink plated                  | 11208     | ●    | ●       | ●        |
| 5    | Attachment arm support Elite/Sting without screws   | 80403     | ●    | ●       | ●        |
| 6    | Locking plate arm support                           | 80292     | ●    | ●       | ●        |
| 7    | Knob M 5x15 leg support amputee Cross               | 80807     | ●    | ●       | ●        |
| 8    | Washer BRB 5.3x15x1.2 black                         | 13004     | ●    | ●       | ●        |
| 9    | Screw M 6x 25 MF6S black esloc                      | 11430     | ●    | ●       | ●        |
| 10   | Screw M 5x 14 MF6S 10.9 black                       | 11237     | ●    | ●       | ●        |
| 11   | Washer 5.3x 10x 0.5m DIN 137A zink plated           | 13026     | ●    | ●       | ●        |
| 12   | Nut M 6 FK4M  | 12166     | ●    | ●       | ●        |
| 13   | Attachment trunk support swing away R compl         | 27947-1   | ●    | ●       | ●        |
|      | Attachment trunk support swing away L compl         | 27947-2   | ●    | ●       | ●        |
| 14   | Bar trunk support swing away L straight 12          | 27948     | ●    | ●       | ●        |
| 15   | Cushion trunk support medium bent black H 6.5 L 17  | 27949     | ●    | ●       | ●        |
|      | Cushion trunk support large bent black H 9 cm L 19  | 27950     | ●    | ●       | ●        |

# Trunk support

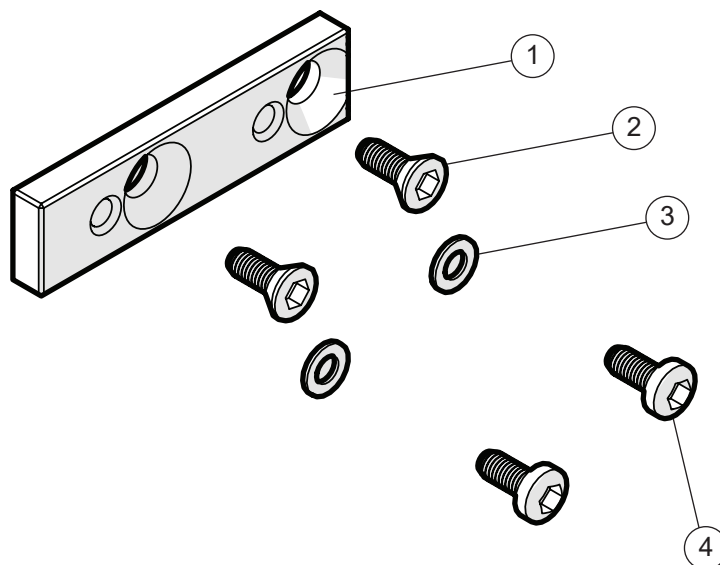


| Pos. | Description                       | Item. no. |
|------|-----------------------------------|-----------|
| 1    | Trunk support bar -45 mm          | 83002     |
| 2    | Trunk support bar -15 mm          | 83017     |
| 3    | Trunk support bar 0 mm            | 83018     |
| 4    | Trunk support bar +15 mm          | 83019     |
| 5    | Trunk support bar ssb -0 mm       | 83046     |
| 6    | Trunk support bar ssb -15 mm      | 83045     |
| 7    | Trunk support bar ssb -45 mm      | 83001     |
| 8    | Trunk support attachment 3A compl | 28146     |
| 9    | Trunk support pad straight compl  | 28276     |

Prio  
Prio AB  
Prio 16"

|   |   |   |
|---|---|---|
| ● | ● | ● |
| ● | ● | ● |
| ● | ● | ● |
| ● | ● | ● |
| ● | ● | ● |
| ● | ● | ● |
| ● | ● | ● |
| ● | ● | ● |
| ● | ● | ● |

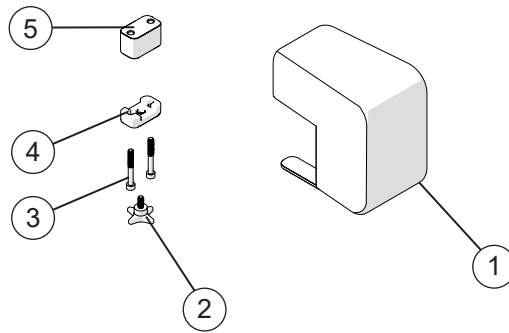
# Trunk support attachment



| Pos. | Description                          | Item. no. |
|------|--------------------------------------|-----------|
| 1-4  | Adapterkit trunk support cushion R82 | 28240     |
| 1    | Trunk support adapter                | 83160     |
| 2    | Screw                                | 11592     |
| 3    | Washer 5.3x10x1 BRB fzb DIN 125      | 13017     |
| 4    | Screw M 5x 12 K6S 10.9               | 11208     |

| Prio | Prio AB | Prio 16" |
|------|---------|----------|
| ●    | ●       | ●        |
| ●    | ●       | ●        |
| ●    | ●       | ●        |
| ●    | ●       | ●        |
| ●    | ●       | ●        |

# Leg abduction



| Pos. | Description         | Item. no. |
|------|---------------------|-----------|
| 1-5  | Leg abduction compl | 28022     |
| 1    | Leg abduction       | 28194     |
| 2    | Knob 40 M6x17       | 80297     |
| 3    | Screw               | 11037     |
| 4    | Bracket             | 28305-01  |
| 5    | Spacer              | 83042     |

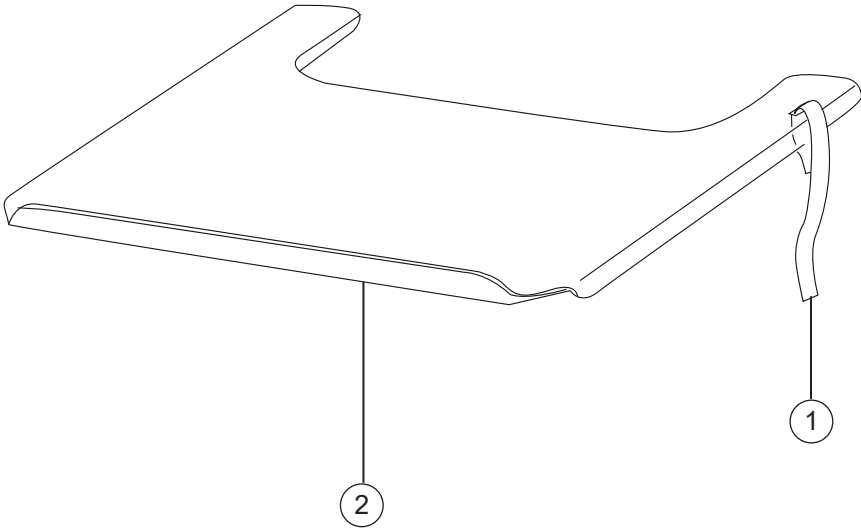
Prio

Prio AB

Prio 16"

|   |   |   |
|---|---|---|
| ● | ● | ● |
| ● | ● | ● |
| ● | ● | ● |
| ● | ● | ● |
| ● | ● | ● |

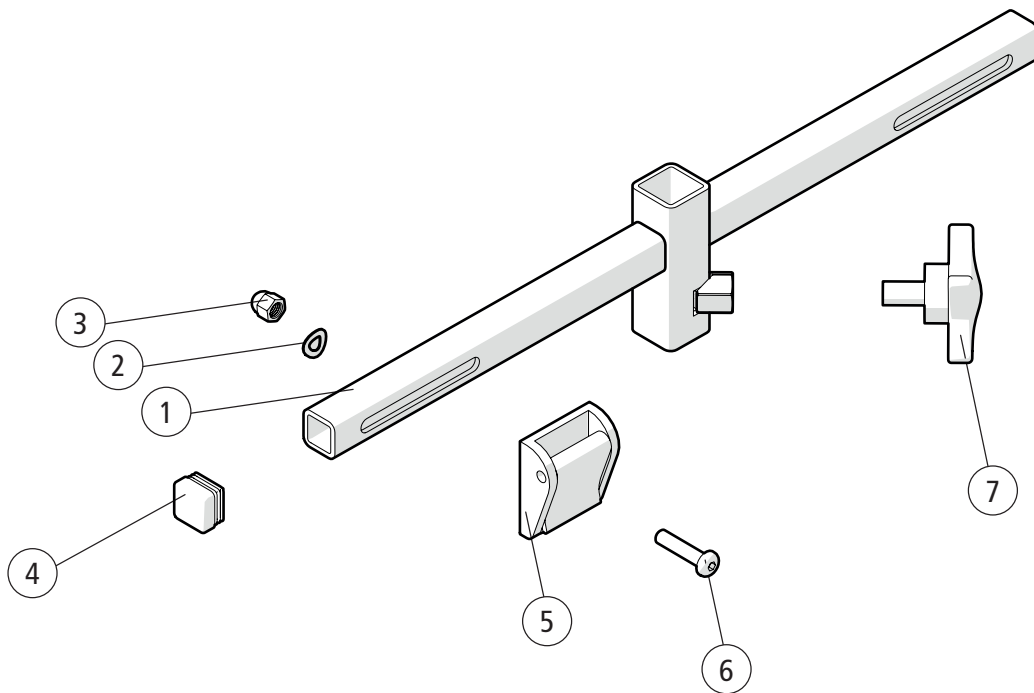
# Tray



|  | Prio | Prio AB | Prio 16" |
|--|------|---------|----------|
|  | ●    | ●       | ●        |
|  | ●    | ●       | ●        |
|  | ●    | ●       | ●        |
|  | ●    | ●       | ●        |

| Pos. | Description                         | Item no. |
|------|-------------------------------------|----------|
| 1    | Attachment strap tray               | 82921    |
| 1-2  | Tray Prio 40 cm table width 57.5 cm | 27971    |
|      | Tray Prio 45 cm table width 62.5 cm | 27972    |
|      | Tray Prio 50 cm table width 67.5 cm | 27973    |
|      | Tray Prio 55 cm table width 72.5 cm | 27974    |

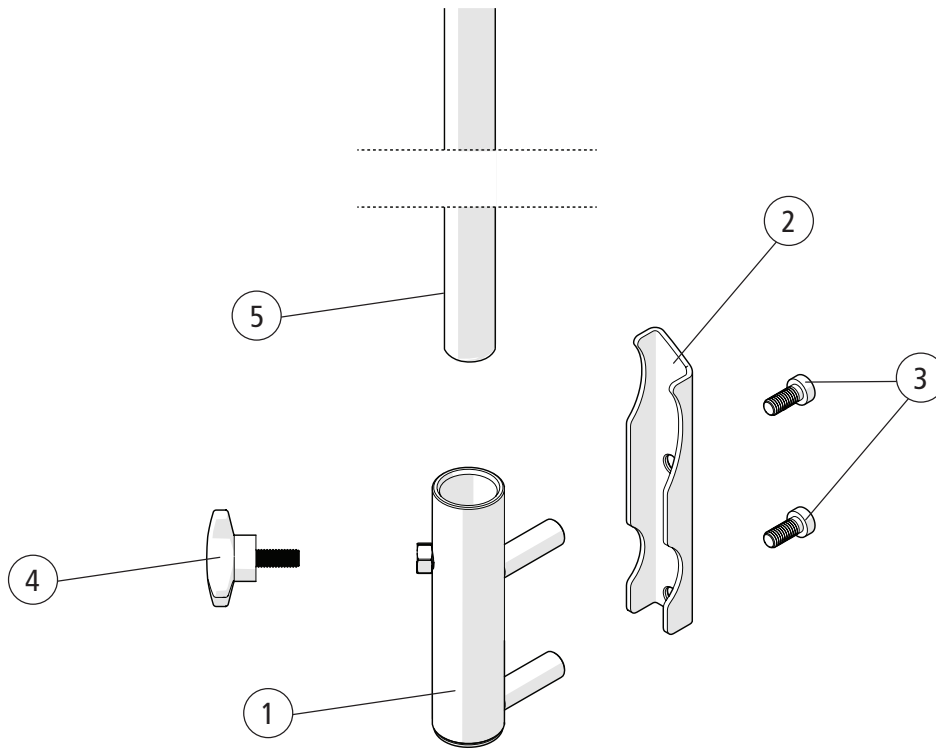
# Attachment harness



| Pos. | Description            | Item. no. | Prio | Prio AB | Prio 16" |
|------|------------------------|-----------|------|---------|----------|
| 1-7  | Attachment harness cpl | 28186     | ●    | ●       | ●        |
| 1    | Attachment harness     |           | ●    | ●       | ●        |
| 2    | Washer D10x5.3x0.5     | 13017     | ●    | ●       | ●        |
| 3    | Domed nut M5           | 12167     | ●    | ●       | ●        |
| 4    | End plug               | 50972     | ●    | ●       | ●        |
| 5    | Fix lock 25 mm         | 310445025 | ●    | ●       | ●        |
| 6    | Screw M 5x 22 MK6S fzb | 11075     | ●    | ●       | ●        |
| 7    | Knob                   | 400118    | ●    | ●       | ●        |



# Drip stand



| Pos. | Description                    | Item. no. |
|------|--------------------------------|-----------|
| 1-5  | Drip stand cpl                 | 28341     |
| 1-4  | Attachment                     | 28318     |
| 1    | Drip stand welded Prio         |           |
| 2    | Bracket                        |           |
| 3    | Screw M 6x 14 MC6LS SW5 Zn8/P4 | 11539     |
| 4    | Knob                           | 80297     |
| 5    | Hook drip stand                | 83053     |

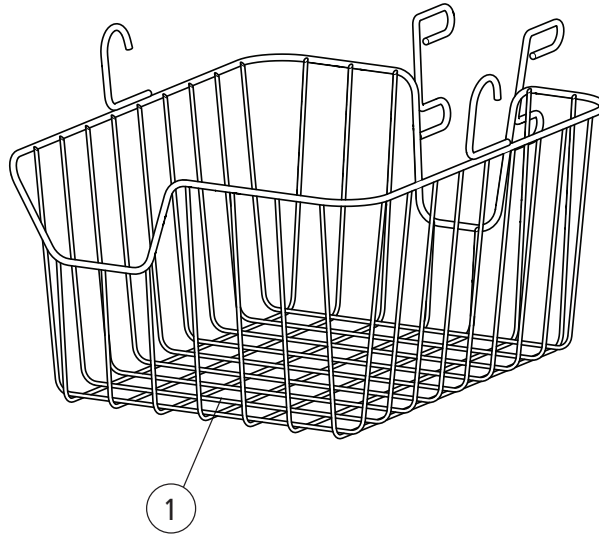
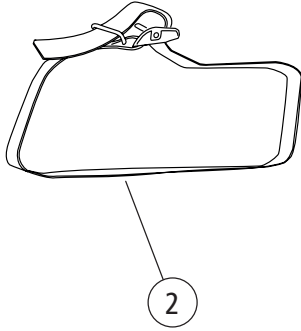
Prio

Prio AB

Prio 16"

|                                     |                                     |                                     |
|-------------------------------------|-------------------------------------|-------------------------------------|
| <input type="checkbox"/>            | <input type="checkbox"/>            | <input type="checkbox"/>            |
| <input checked="" type="checkbox"/> | <input checked="" type="checkbox"/> | <input checked="" type="checkbox"/> |
| <input checked="" type="checkbox"/> | <input checked="" type="checkbox"/> | <input checked="" type="checkbox"/> |
| <input checked="" type="checkbox"/> | <input checked="" type="checkbox"/> | <input checked="" type="checkbox"/> |
| <input checked="" type="checkbox"/> | <input checked="" type="checkbox"/> | <input checked="" type="checkbox"/> |
| <input checked="" type="checkbox"/> | <input checked="" type="checkbox"/> | <input checked="" type="checkbox"/> |
| <input checked="" type="checkbox"/> | <input checked="" type="checkbox"/> | <input checked="" type="checkbox"/> |

# Basket

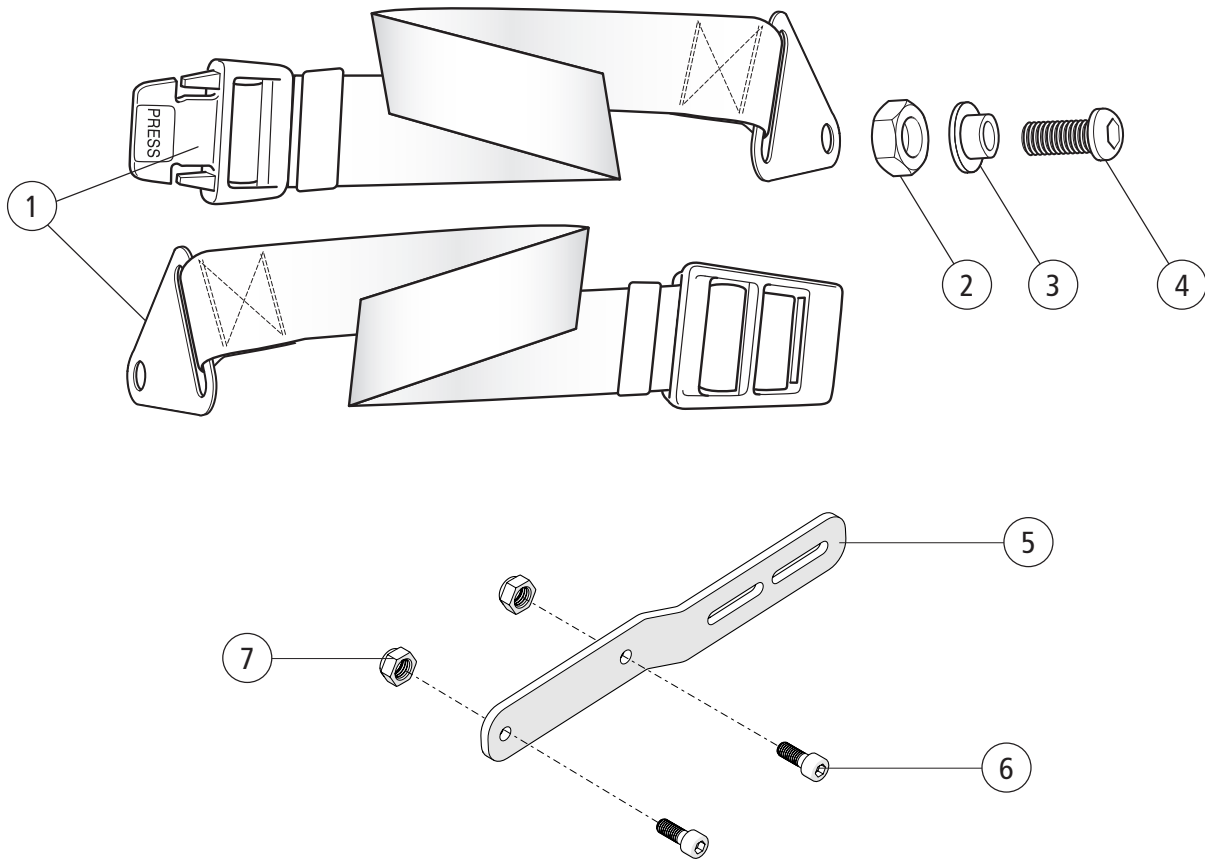


Prio  
Prio AB  
Prio 16"

| Pos. | Description       | Item. no. |
|------|-------------------|-----------|
| 1-2  | Basket compl Prio | 28316     |
| 1    | Basket            |           |
| 2    | Strap             | 80459     |

|   |   |   |
|---|---|---|
|   |   |   |
| ● | ● | ● |
| ● | ● | ● |
| ● | ● | ● |

# Positioning belt



| Pos. | Description                    | Item no. |
|------|--------------------------------|----------|
| 1-4  | Positioning belt lenght 100 mm | 27904    |
|      | Positioning belt lenght 128 mm | 28544    |
| 2    | Locking nut M 6                |          |
| 3    | Spacer positioning belt        |          |
| 4    | Screw M 6x 14 K65              |          |
| 5-7  | Attachment positioning belt    | 28641    |
| 6    | Screw M6x16 MC6S 12.9          | 11253    |
| 7    | Locking nut M6                 | 12035    |

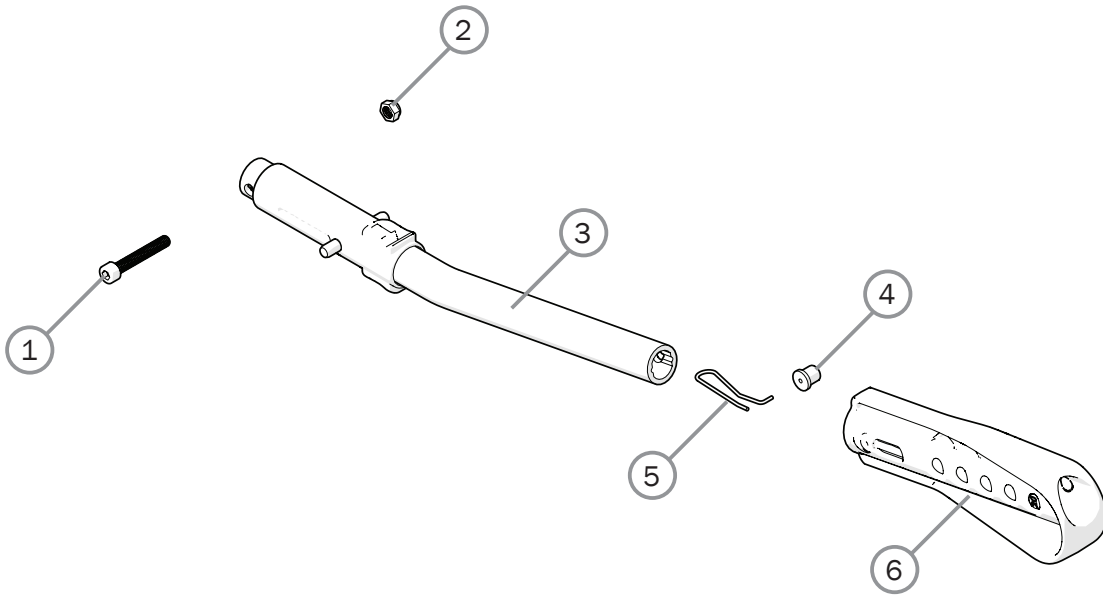
Prio

PrioAB

Prio 16"

|   |   |   |
|---|---|---|
| ● | ● | ● |
| ● | ● | ● |
| ● | ● | ● |
| ● | ● | ● |
| ● | ● | ● |
| ● | ● | ● |
| ● | ● | ● |

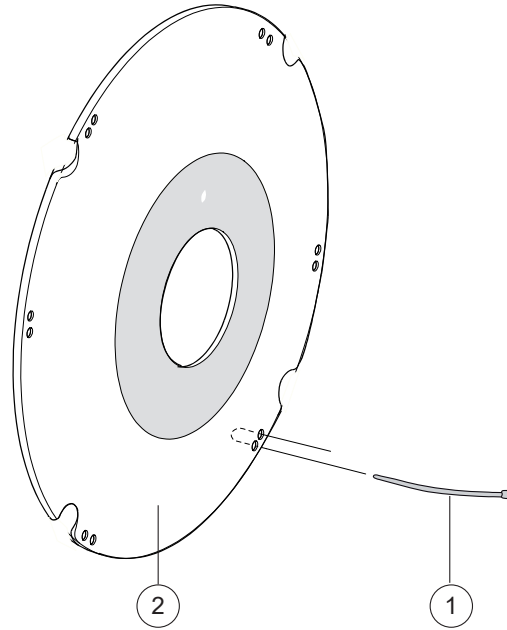
# Anti tip



| Pos. | Description                             | Item no. |
|------|---|----------|
| 1-6  | Anti-tip multi Cross 5/6 Prio cc 59 cpl | 28457    |
| 1    | Screw M6x 40 MC6S 10.9 zink plated      | 11229    |
| 2    | Locking nut M6                          | 12017    |
| 3    | Anti-tip tube                           |          |
| 4    | Pin                                     |          |
| 5    | Spring                                  |          |
| 6    | Anti-tip extension multi                | 51201    |

| Prio | Prio AB | Prio 16" |
|------|---------|----------|
| ●    | ●       | ●        |
| ●    | ●       | ●        |
| ●    | ●       | ●        |
| ●    | ●       | ●        |
| ●    | ●       | ●        |
|      |         |          |
|      |         |          |

# Spoke guard

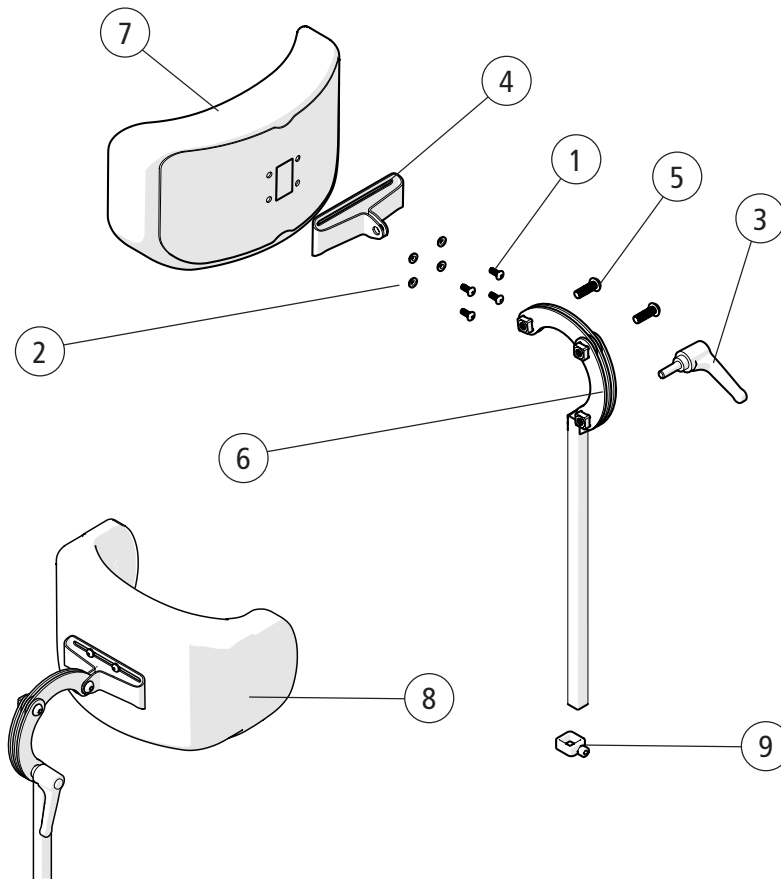


Prio  
 Prio AB  
 Prio 16"

| Pos. | Description                          | Item no. |
|------|--------------------------------------|----------|
| 1    | Attachment kit spokeguard            | 26276    |
| 1-2  | Spoke guard 20 with logo Etac grey   | 25502-28 |
|      | Spoke guard 20 with logo Etac yellow | 25502-29 |
|      | Spoke guard 22 with logo Etac grey   | 25503-28 |
|      | Spoke guard 22 with logo Etac yellow | 25503-29 |
|      | Spoke guard 24 with logo Etac grey   | 25504-28 |
|      | Spoke guard 24 with logo Etac yellow | 25504-29 |

|   |   |  |
|---|---|--|
|   |   |  |
| ● | ● |  |
| ● | ● |  |
| ● | ● |  |
| ● | ● |  |
| ● | ● |  |
| ● | ● |  |

# Head support



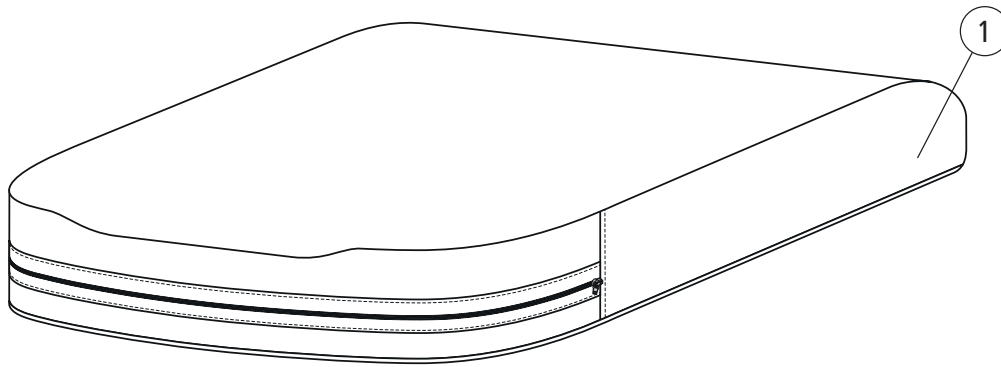
Prio

Prio AB

Prio 16"

| Pos. | Description                                       | Item no. |   |   |   |
|------|---|----------|---|---|---|
| 1    | Screw M5x16 MRX                                   | 11208    | ● | ● | ● |
| 2    | Joint bushing                                     | 50285    | ● | ● | ● |
| 3    | Handle M8x25 mm black                             | 80684    | ● | ● | ● |
| 4    | Attachment head support                           | 83288    | ● | ● | ● |
| 5    | Screw M8x25                                       | 11706    | ● | ● | ● |
| 6    | Tube Hold Neckrest L 350                          | 28533    | ● | ● | ● |
| 1-6  | Head support angle adj plush                      | 28534-60 | ● | ● | ● |
|      | Head support angle adj hygiene                    | 28534-65 | ● | ● | ● |
|      | Head support with side support compl grey hygiene | 28536-65 | ● | ● | ● |
| 7    | Överdrag huvudstöd trad plysch                    | 63177-60 | ● | ● | ● |
|      | Överdrag huvudstöd trad hygien                    | 63177-65 | ● | ● | ● |
| 8    | Överdrag huvudstöd med sidostöd                   | 63185-65 | ● | ● | ● |
| 9    | Memory function head support                      | 28564    | ● | ● | ● |

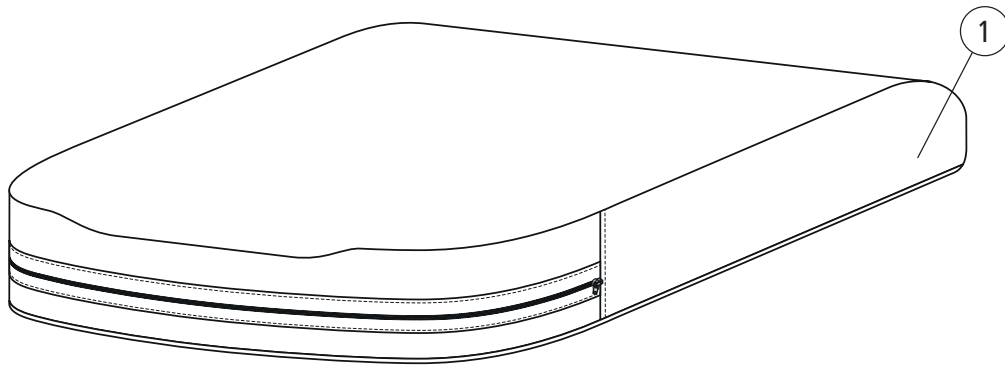
# Seat cushion



| Pos. | Description  | Item no. |   |   |   |
|------|--|----------|---|---|---|
| 1    | Seat cushion Prio 40 cm short STD plush            | 27751-60 | ● | ● | ● |
|      | Seat cushion Prio 40 cm short STD hygiene grey     | 27751-65 | ● | ● | ● |
|      | Seat cushion Prio 45 cm short STD plush            | 27752-60 | ● | ● | ● |
|      | Seat cushion Prio 45 cm short STD hygiene grey     | 27752-65 | ● | ● | ● |
|      | Seat cushion Prio 50 cm short STD plush            | 27753-60 | ● | ● | ● |
|      | Seat cushion Prio 50 cm short STD hygiene grey     | 27753-65 | ● | ● | ● |
|      | Seat cushion Prio 55 cm short STD plush            | 27754-60 | ● | ● | ● |
|      | Seat cushion Prio 55 cm short STD hygiene grey     | 27754-65 | ● | ● | ● |
|      | Seat cushion Prio 40 cm short comfort plush        | 27755-60 | ● | ● | ● |
|      | Seat cushion Prio 40 cm short comfort hygiene grey | 27755-65 | ● | ● | ● |
|      | Seat cushion Prio 45 cm short comfort plush        | 27756-60 | ● | ● | ● |
|      | Seat cushion Prio 45 cm short comfort hygiene grey | 27756-65 | ● | ● | ● |
|      | Seat cushion Prio 50 cm short comfort plush        | 27757-60 | ● | ● | ● |
|      | Seat cushion Prio 50 cm short comfort hygiene grey | 27757-65 | ● | ● | ● |
|      | Seat cushion Prio 55 cm short comfort plush        | 27758-60 | ● | ● | ● |
|      | Seat cushion Prio 55 cm short comfort hygiene grey | 27758-65 | ● | ● | ● |
|      | Seat cushion Prio short hygiene std Tidy 40 cm     | 28055-65 | ● | ● | ● |
|      | Seat cushion Prio short hygiene std Tidy 45 cm     | 28056-65 | ● | ● | ● |
|      | Seat cushion Prio short hygiene std Tidy 50 cm     | 28057-65 | ● | ● | ● |
|      | Seat cushion Prio short hygiene std Tidy 55 cm     | 28058-65 | ● | ● | ● |

Prio  
 Prio AB  
 Prio 16"

# Seat cushion



| Pos. | Description                                       | Item no. |   |   |   |
|------|---|----------|---|---|---|
|      | Seat cushion Prio 40 cm long STD plush            | 27759-60 | ● | ● | ● |
|      | Seat cushion Prio 40 cm long STD hygiene grey     | 27759-65 | ● | ● | ● |
|      | Seat cushion Prio 45 cm long STD plush            | 27760-60 | ● | ● | ● |
|      | Seat cushion Prio 45 cm long STD hygiene grey     | 27760-65 | ● | ● | ● |
|      | Seat cushion Prio 50 cm long STD plush            | 27761-60 | ● | ● | ● |
|      | Seat cushion Prio 50 cm long STD hygiene grey     | 27761-65 | ● | ● | ● |
|      | Seat cushion Prio 55 cm long STD plush            | 27762-60 | ● | ● | ● |
|      | Seat cushion Prio 55 cm long STD hygiene grey     | 27762-65 | ● | ● | ● |
|      | Seat cushion Prio 40 cm long comfort plush        | 27763-60 | ● | ● | ● |
|      | Seat cushion Prio 40 cm long comfort hygiene grey | 27763-65 | ● | ● | ● |
|      | Seat cushion Prio 45 cm long comfort plush        | 27764-60 | ● | ● | ● |
|      | Seat cushion Prio 45 cm long comfort hygiene grey | 27764-65 | ● | ● | ● |
|      | Seat cushion Prio 50 cm long comfort plush        | 27765-60 | ● | ● | ● |
|      | Seat cushion Prio 50 cm long comfort hygiene grey | 27765-65 | ● | ● | ● |
|      | Seat cushion Prio 55 cm long comfort plush        | 27766-60 | ● | ● | ● |
|      | Seat cushion Prio 55 cm long comfort hygiene grey | 27766-65 | ● | ● | ● |
|      | Seat cushion Prio long hygiene std Tidy 40 cm     | 28059-65 | ● | ● | ● |
|      | Seat cushion Prio long hygiene std Tidy 45 cm     | 28060-65 | ● | ● | ● |
|      | Seat cushion Prio long hygiene std Tidy 50 cm     | 28061-65 | ● | ● | ● |
|      | Seat cushion Prio long hygiene std Tidy 55 cm     | 28062-65 | ● | ● | ● |

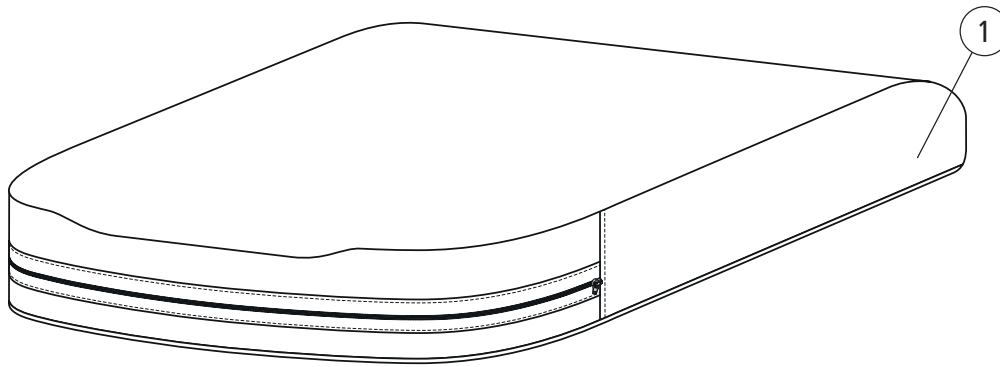
Prio

Prio AB

Prio 16"



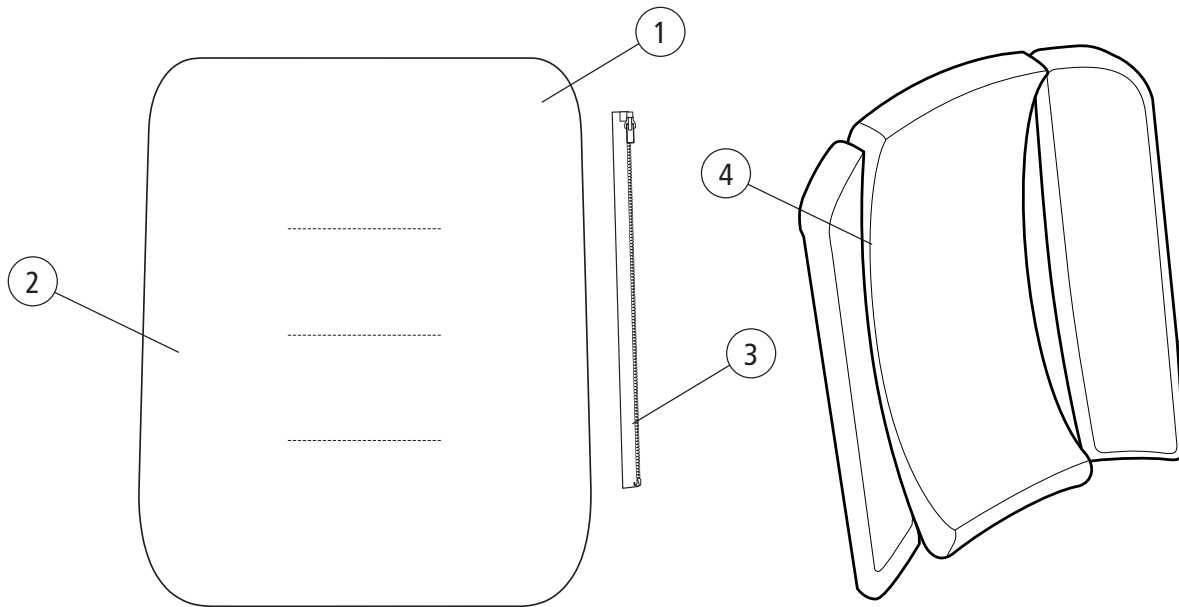
## Seat cushion - Cover



| Pos.                    | Description  | Item no. |   |   |   |
|-------------------------|--|----------|---|---|---|
| 1                       | Cover seat cushion 40 (16) short plush Prio        | 63060-60 | ● | ● | ● |
|                         | Cover seat cushion 40 (16) short hygiene grey Prio | 63060-65 | ● | ● | ● |
|                         | Cover seat cushion 45 (18) short plush Prio        | 63061-60 | ● | ● | ● |
|                         | Cover seat cushion 45 (18) short hygiene grey Prio | 63061-65 | ● | ● | ● |
|                         | Cover seat cushion 50 (20) short plush Prio        | 63062-60 | ● | ● | ● |
|                         | Cover seat cushion 50 (20) short hygiene grey Prio | 63062-65 | ● | ● | ● |
|                         | Cover seat cushion 55 (22) short plush Prio        | 63063-60 | ● | ● | ● |
|                         | Cover seat cushion 55 (22) short hygiene grey Prio | 63063-65 | ● | ● | ● |
|                         | Cover seat cushion 40 (16) long plush Prio         | 63064-60 | ● | ● | ● |
|                         | Cover seat cushion 40 (16) long hygiene grey Prio  | 63064-65 | ● | ● | ● |
|                         | Cover seat cushion 45 (18) long plush Prio         | 63065-60 | ● | ● | ● |
|                         | Cover seat cushion 45 (18) long hygiene grey Prio  | 63065-65 | ● | ● | ● |
|                         | Cover seat cushion 50 (20) long plush Prio         | 63066-60 | ● | ● | ● |
|                         | Cover seat cushion 50 (20) long hygiene grey Prio  | 63066-65 | ● | ● | ● |
|                         | Cover seat cushion 55 (22) long plush Prio         | 63067-60 | ● | ● | ● |
|                         | Cover seat cushion 55 (22) long hygiene grey Prio  | 63067-65 | ● | ● | ● |
|                         | Cover seat 40 short Tidy                           | 63159-65 | ● | ● | ● |
|                         | Cover seat 45 short Tidy                           | 63160-65 | ● | ● | ● |
|                         | Cover seat 50 short Tidy                           | 63161-65 | ● | ● | ● |
|                         | Cover seat 55 short Tidy                           | 63162-65 | ● | ● | ● |
| Cover seat 40 long Tidy | 63163-65   | ●        | ● | ● |   |
| Cover seat 45 long Tidy | 63164-65   | ●        | ● | ● |   |
| Cover seat 50 long Tidy | 63165-65   | ●        | ● | ● |   |
| Cover seat 55 long Tidy | 63166-65   | ●        | ● | ● |   |

Prio  
Prio AB  
Prio 16"

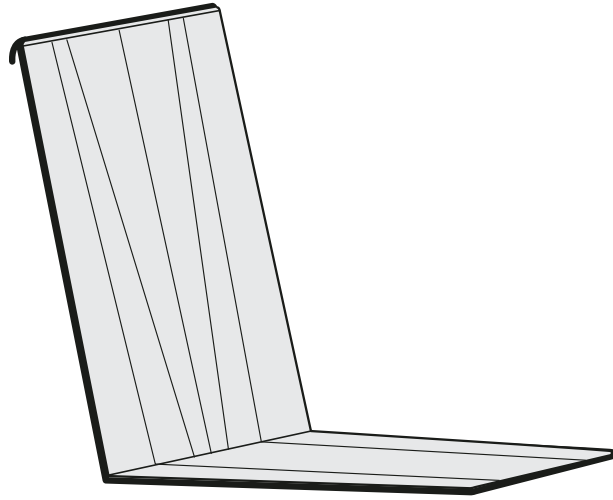
## Back support cushion



Prio  
Prio AB  
Prio 16"

| Pos. | Description  | Item no. |   |   |   |
|------|--|----------|---|---|---|
| 1    | Back support cushion 40 cm plush Prio excl zipper        | 28410-60 | ● | ● | ● |
|      | Back support cushion 40 cm hygiene Prio grey excl zipper | 28410-65 | ● | ● | ● |
|      | Back support cushion 45 cm plush Prio excl zipper        | 28411-60 | ● | ● | ● |
|      | Back support cushion 45 cm hygiene Prio grey excl zipper | 28411-65 | ● | ● | ● |
|      | Back support cushion 50 cm plush Prio excl zipper        | 28412-60 | ● | ● | ● |
|      | Back support cushion 50 cm hygiene Prio grey excl zipper | 28412-65 | ● | ● | ● |
|      | Back support cushion 55 cm plush Prio excl zipper        | 28413-60 | ● | ● | ● |
|      | Back support cushion 55 cm hygiene Prio grey excl zipper | 28413-65 | ● | ● | ● |
| 2    | Cover back support plush Prio 40 cm grey excl zipper     | 63230-60 | ● | ● | ● |
|      | Cover back support hygiene Prio 40 cm grey excl zipper   | 63230-65 | ● | ● | ● |
|      | Cover back support plush Prio 45 cm grey excl zipper     | 63231-60 | ● | ● | ● |
|      | Cover back support hygiene Prio 45 cm grey excl zipper   | 63231-65 | ● | ● | ● |
|      | Cover back support plush Prio 50 cm grey excl zipper     | 63232-60 | ● | ● | ● |
|      | Cover back support hygiene Prio 50 cm grey excl zipper   | 63232-65 | ● | ● | ● |
|      | Cover back support plush Prio 55 cm grey excl zipper     | 63233-60 | ● | ● | ● |
|      | Cover back support hygiene Prio 55 cm grey excl zipper   | 63233-65 | ● | ● | ● |
| 3    | Velcro attachment back Prio                              | 83188    | ● | ● | ● |
| 4    | Back support cushion B40 3D plush                        | 63343-60 | ● | ● | ● |
|      | Back support cushion B45 3D plush                        | 63344-60 | ● | ● | ● |
|      | Back support cushion B50 3D plush                        | 63345-60 | ● | ● | ● |
|      | Back support cushion B55 3D plush                        | 63346-60 | ● | ● | ● |

# Back support cover



| Pos. | Description                     | Item no. |
|------|---------------------------------|----------|
| 1    | Back support cover W40 cm plush | 63200-60 |
|      | Back support cover W45 cm plush | 63201-60 |
|      | Back support cover W50 cm plush | 63202-60 |
|      | Back support cover W55 cm plush | 63203-60 |

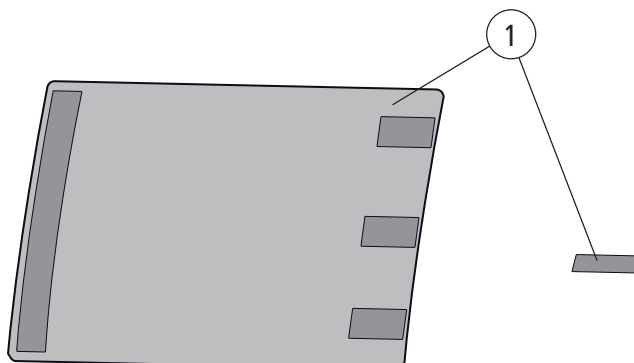
Prio

Prio AB

Prio 16"

|   |   |   |
|---|---|---|
|   |   |   |
| ● | ● | ● |
| ● | ● | ● |
| ● | ● | ● |
| ● | ● | ● |

# Extension back support upholstery



| Pos. | Description                       | Item. No. |
|------|-----------------------------------|-----------|
| 1    | Extension back support upholstery | 28657     |

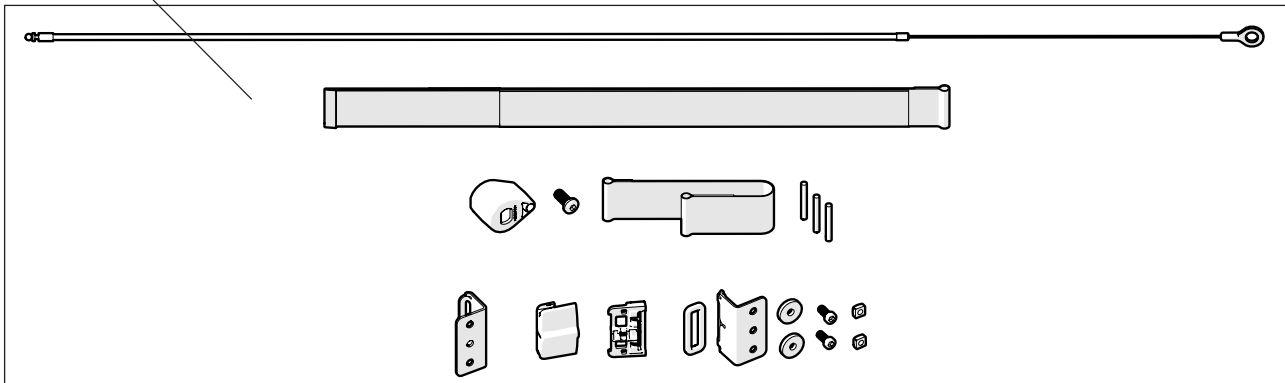
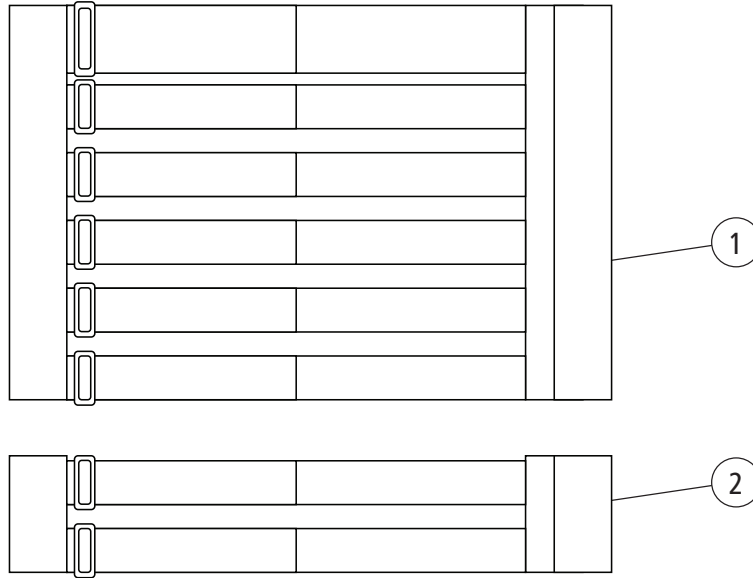
Prio

Prio AB

Prio 16"



## Back support upholstery



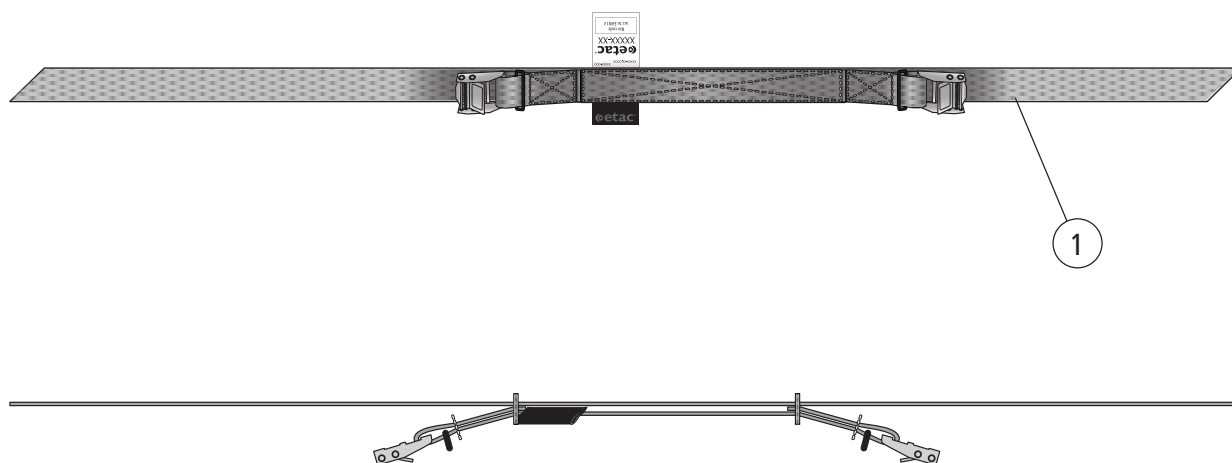
| Pos. | Description                          | Item no. |   |   |   |
|------|--------------------------------------|----------|---|---|---|
| 1    | Upholstery back 3A rb 40-45 cm       | 62954-60 | ● | ● | ● |
|      | Upholstery back 3A rb 50-55 cm       | 62955-60 | ● | ● | ● |
| 2    | Upholstery back 3A rb lower 40-45 cm | 63337-60 | ● | ● | ● |
|      | Upholstery back 3A rb lower 50-55 cm | 63338-60 | ● | ● | ● |
| 3    | Dynamic pelvic support Prio 40 cm    | 28704    | ● | ● | ● |
|      | Dynamic pelvic support Prio 45 cm    | 28705    | ● | ● | ● |
|      | Dynamic pelvic support Prio 50 cm    | 28706    | ● | ● | ● |
|      | Dynamic pelvic support Prio 55 cm    | 28707    | ● | ● | ● |

Prio

Prio AB

Prio 16"

# Back angle control



| Pos. | Description            | Item no. |
|------|------------------------|----------|
| 1    | Back angle control cpl | 28573    |

Prio

Prio AB

Prio 1G"

