

Nano
Model 1.155

SPARE PART LIST



Nano / a Table of contents

Introduction	4
Order specimen	5
01 Frame	
-Code 346-4950; Base frame with frame reduction	6
-Code 346-4959; Base frame without frame reduction	8
-Code 347-4950; Active frame with frame reduction	10
05 Brake	
-Code 305; Pressure brake fixed	12
-Code 2595; "Light" pressure brake, foldaway	12
06 Chassis	
Steering fork	
-Code 418; Steering fork short	13
-Code 419; Long steering fork	13
-Steering wheels	14
-Wheel camber adapter	14
-Drive wheels 24" - Tyres	15
-Drive wheels 25" - Tyres	15
-Drive wheels 26" - Tyres"	16
-Handrims - Handrim covers	16
-Driving wheel for pressure brake	17
-Hand and spoke guard	18
07 Back support	
-Back straps	19
-Back tubes	20
-Code 410; Push handles removable	21
-Code 411; Back support without handgrips	21
-Code 776; Leather protection for back	22
08 Seat	
-Seat straps	23
09 Armrests	
-Code 100; Clothes guard for active wheelchair	25
10 Leg supports	
-Code 312; Sports leg support with footplate and rubber overlay	26
17 Support wheels	
-Code 728; Swivel-away support castor	27
20 Seat cushion	
-Seat cushion	28
24 Other Codes	
Accessories	
-Accessories	29

Exact specifications are required for your spare parts' orders. Only then we can guarantee that you will receive the correct spare part. All MEYRA GmbH -wheelchairs are manufactured according MEYRA GmbH -component group system.

Assembly group outline

Component unit 01: Frame	Component unit 12: Crossbrace
Component unit 03: Steering	Component unit 15: Electrical system
Component unit 04: Drive	Component unit 16: Working table
Component unit 05: Pressure Brake	Component unit 17: Support wheels
Component unit 06: Chassis	Component unit 20: Seat cushion
Component unit 07: Backrest	Component unit 24: Other Codes
Component unit 08: Seat	Component unit 26: Revetment
Component unit 09: Armrest	Component unit 98: Accessories and small parts
Component unit 10: Leg support	Component unit 99: Circuit diagrams

The index lists different versions of an assembly group, therefore you will find the spare part you are searching for quickly and precisely.

Note:

The assembly group outline also includes assemblies that do not apply to your model.

Liability/ guarantee for foreign products

Do not use any foreign products as spare parts or accessories for MEYRA GmbH -Wheelchairs. Foreign products may affect the operational reliability of the wheelchair, even if the foreign products have not been tested by TÜV or another official authority (General Type Approval). The scope of testing may not always be comprehensive enough.

MEYRA GmbH does not accept any liability or guarantee for foreign products used as spare parts or accessories as well as for damages and accidents caused by exchange or installation of such parts.

Safety instructions for the use of spare parts

- When exchanging parts only use components corresponding to the wheelchair model and Code number.
- Please check after receipt if the spare part received is the same you ordered!
- Only authorized dealers or specialized workshops are allowed to carry out repairs on the wheelchair.
- Please take a test drive after repair of the wheelchair. Pay attention to unusual noises and check:
 - Braking ability
 - Steering ability
 - the straight running.

Abbreviations used

In the bills of material you will find following abbreviations:

AT means exchange components

The parts (articles or standard parts) marked with a letter can be reused after inspection!

Special features

Position numbers marked with a letter refer to parts not represented (e.g. for the opposite side).

Nano / a Order specimen
--

Order specimen

To establish your order examples please proceed as follows.

1. **Type/Model**
Please take the type number from the instruction manual, the delivery note or the type plate.
2. **Manufacturing year and vehicle ID no.**
Read off the year of construction and the vehicle identification number from the type plate, e.g.:
Year of construction: 97/12
Vehicle ID No. (Fz-I-Nr.): 5678901
3. **Component unit**
Allocate the defective part to an assembly group (see assembly group outline).
4. **Code-No.:**
Compare the code numbers of delivery note with the Code list of the corresponding assembly group. Code-No.: 626 backrest height 30cm
5. **Look up representation of the assembly group chosen with corresponding Code No.**
The page where you can find the required representation and bills of material is indicated in the table of contents after the code number.
6. **Article-No:**
A position number is indicated on the spare part that is to be ordered enabling you to read off the corresponding article number from the bill of material.
7. **Determine the quantity**
Determine number of component units to be replaced.
Remark:
The number of pieces indicated in the bills of material correspond to the number of component units used in the assembly group (left and right wheelchair side).
8. **Determine the description**
Read off the corresponding designation from the bill of materials.
9. **Determine the colour**
Please take the colour code from the delivery note.
10. **Spare parts order:**
For a correct order please indicate all data.

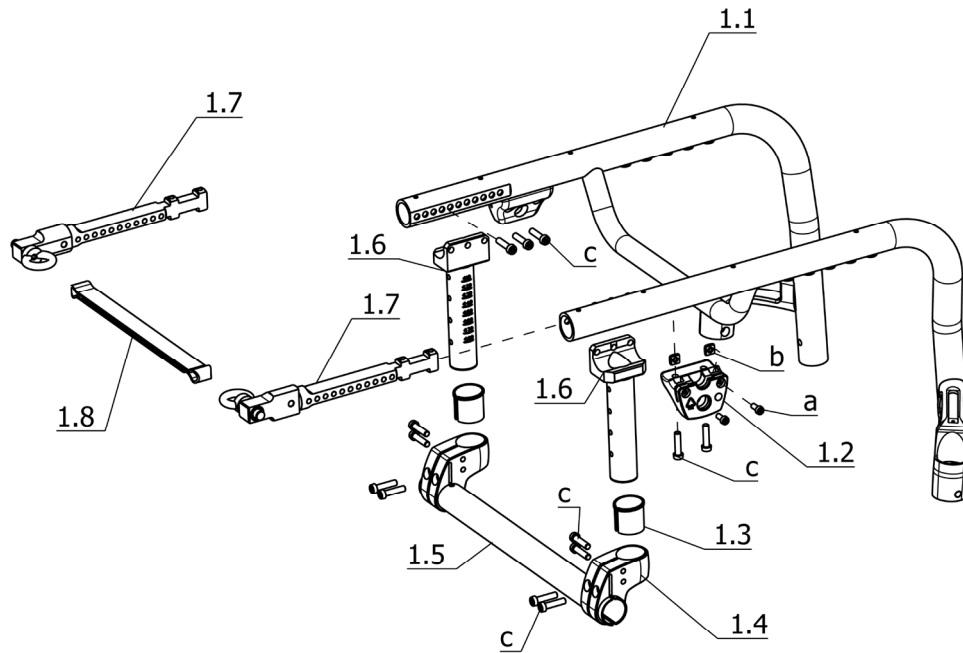
Watch for the correct specifications on your order; Only then we can guarantee that you will receive the correct spare part.

Attention!

Subsequent changes to the wheelchair as well as arrangements with customers relating to the assembly group to be repaired have to be stated in your order.

Important information!

If any modifications have been made to the wheelchair, the specialized dealer is required to enclose the appropriate code no. as well as the date of the modifications, along with the operating instructions for the wheelchair. This ensures that no incorrect details will be given for future orders of spare parts. **Original- MEYRA GmbH -spare parts!**

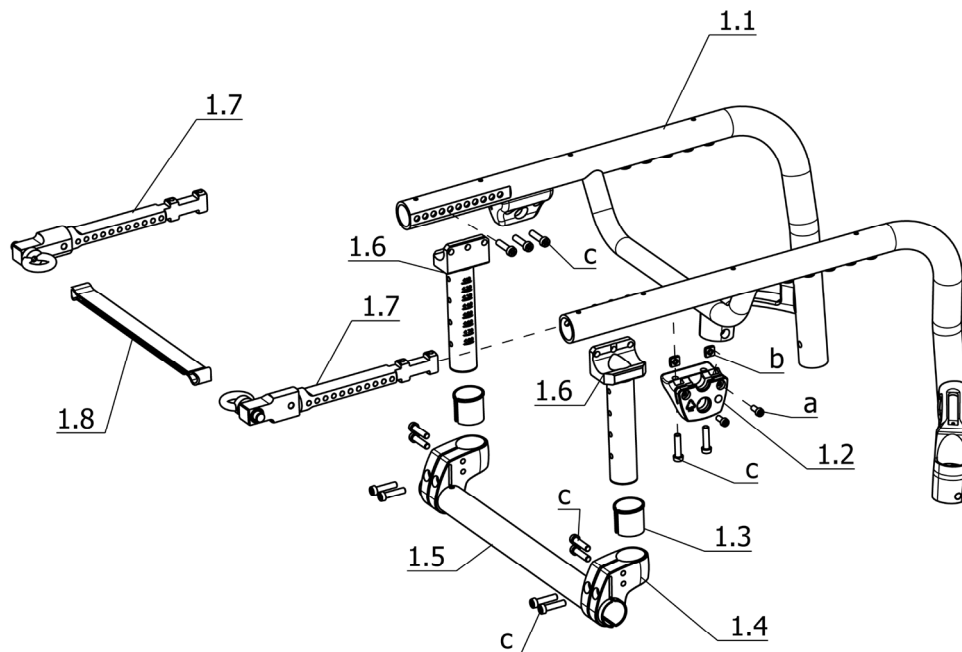
**Sub Unit: Code 346-4950; Base frame with frame reduction**

Item	Article-No:	Pc	Description
1.2	1 081 994	2	Arm support bracket
1.3	1 081 995	2	Socket
1.4	1 081 982	2	Axle adapter black anodised
1.5	1 083 103	1	Axle tube Code 30 black anodised
1.5	1 083 104	1	Axle tube Code 32 black anodised
1.5	1 083 105	1	Axle tube Code 34 black anodised
1.5	1 083 106	1	Axle tube Code 36 black anodised
1.5	1 083 107	1	Axle tube Code 38 black anodised
1.5	1 083 108	1	Axle tube Code 40 black anodised
1.5	1 083 109	1	Axle tube Code 342 black anodised
1.5	1 083 110	1	Axle tube Code 344 black anodised
1.5	1 083 111	1	Axle tube Code 46 black anodised
1.5	1 083 112	1	Axle tube Code 48 black anodised
1.5	1 083 113	1	Axle tube Code 350 black anodised
1.6	1 081 985	2	Axle tube receptacle black anodised
1.7	1 083 695	2	Insertable extension assy
1.8	5 005 402	1	Release belt, seat width 33-45
a	207 065 200	4	Screw DIN-EN-ISO-14580 M5 x 12 - 8.8 ZNBHL
b	207 805 100	4	Square head nut DIN 557 M5
c	207 063 600	16	Screw DIN-EN-ISO-14580 M6 x 25 - 8.8 - A3T

Sub Unit: Code 346-4950; Base frame with frame reduction

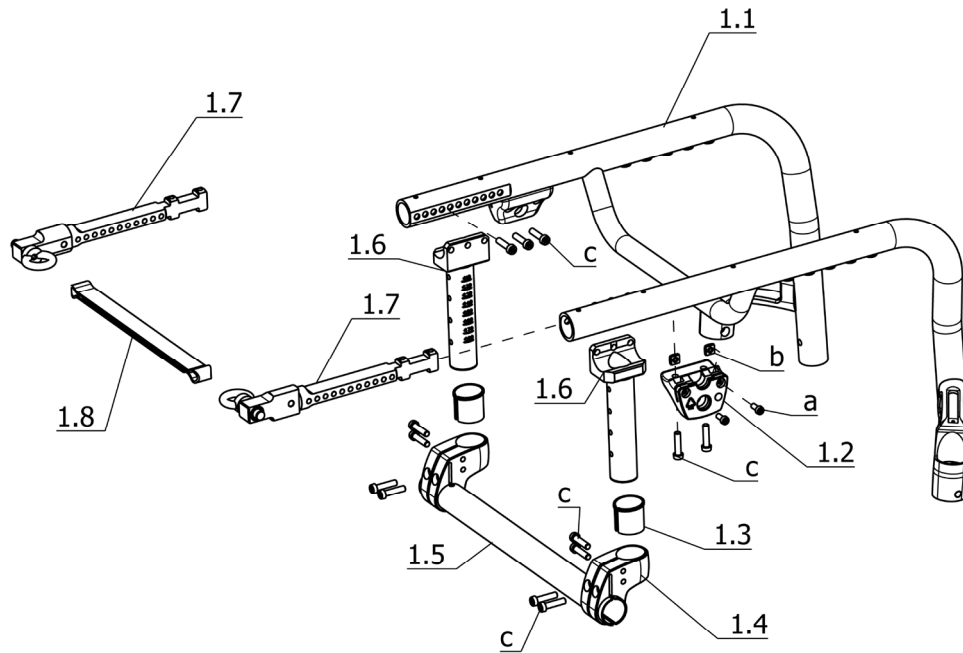
Item	Article-No:	Pc	Description
			Code 351; Frame length short (C)
1.1	1 083 070	1	Main frame Code 30-346-351-4950
1.1	1 083 071	1	Main frame Code 32-346-351-4950
1.1	1 083 072	1	Main frame Code 34-346-351-4950
1.1	1 083 073	1	Main frame Code 36-346-351-4950
1.1	1 083 074	1	Main frame Code 38-346-351-4950
1.1	1 083 075	1	Main frame Code 40-346-351-4950
1.1	1 083 076	1	Main frame Code 342-346-351-4950
1.1	1 083 077	1	Main frame Code 344-346-351-4950
1.1	1 083 078	1	Main frame Code 46-346-351-4950
1.1	1 083 079	1	Main frame Code 48-346-351-4950
1.1	1 083 080	1	Main frame Code 350-346-351-4950
			Code 352; Frame length medium (D)
1.1	1 083 081	1	Main frame Code 30-346-352-4950
1.1	1 083 082	1	Main frame Code 32-346-352-4950
1.1	1 083 083	1	Main frame Code 34-346-352-4950
1.1	1 083 084	1	Main frame Code 36-346-352-4950
1.1	1 083 085	1	Main frame Code 38-346-352-4950
1.1	1 083 086	1	Main frame Code 40-346-352-4950
1.1	1 083 087	1	Main frame Code 342-346-352-4950
1.1	1 083 088	1	Main frame Code 344-346-352-4950
1.1	1 083 089	1	Main frame Code 46-346-352-4950
1.1	1 083 090	1	Main frame Code 48-346-352-4950
1.1	1 083 091	1	Main frame Code 350-346-352-4950

Nano / a
Component unit: Frame



Sub Unit: Code 346-4950; Base frame with frame reduction

Item	Article-No:	Pc	Description
Code 353; Frame length long (E)			
1.1	1 083 092	1	Main frame Code 30-346-353-4950
1.1	1 083 093	1	Main frame Code 32-346-353-4950
1.1	1 083 094	1	Main frame Code 34-346-353-4950
1.1	1 083 095	1	Main frame Code 36-346-353-4950
1.1	1 083 096	1	Main frame Code 38-346-353-4950
1.1	1 083 097	1	Main frame Code 40-346-353-4950
1.1	1 083 098	1	Main frame Code 342-346-353-4950
1.1	1 083 099	1	Main frame Code 344-346-353-4950
1.1	1 083 100	1	Main frame Code 46-346-353-4950
1.1	1 083 101	1	Main frame Code 48-346-353-4950
1.1	1 083 102	1	Main frame Code 350-346-353-4950



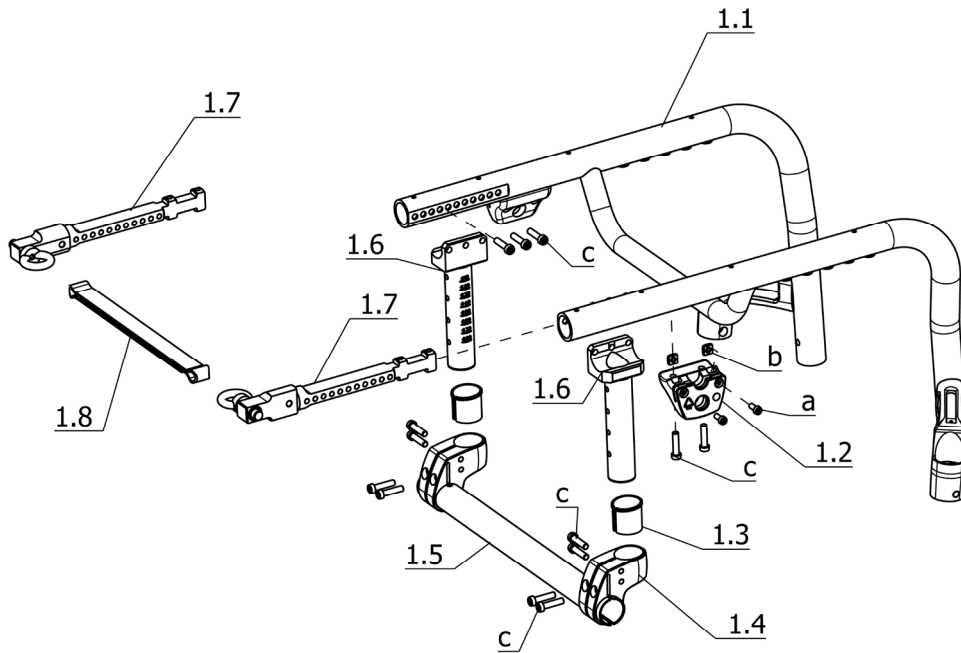
Sub Unit: Code 346-4959; Base frame without frame reduction

Item	Article-No:	Pc	Description
1.2	1 081 994	2	Arm support bracket
1.3	1 081 995	2	Socket
1.4	1 081 982	2	Axle adapter black anodised
1.5	1 083 103	1	Axle tube Code 30 black anodised
1.5	1 083 104	1	Axle tube Code 32 black anodised
1.5	1 083 105	1	Axle tube Code 34 black anodised
1.5	1 083 106	1	Axle tube Code 36 black anodised
1.5	1 083 107	1	Axle tube Code 38 black anodised
1.5	1 083 108	1	Axle tube Code 40 black anodised
1.5	1 083 109	1	Axle tube Code 342 black anodised
1.5	1 083 110	1	Axle tube Code 344 black anodised
1.5	1 083 111	1	Axle tube Code 46 black anodised
1.5	1 083 112	1	Axle tube Code 48 black anodised
1.5	1 083 113	1	Axle tube Code 350 black anodised
1.6	1 081 985	2	Axle tube receptacle black anodised
1.7	1 083 695	2	Insertable extension assy
1.8	5 005 402	1	Release belt, seat width 33-45
a	207 065 200	4	Screw DIN-EN-ISO-14580 M5 x 12 - 8.8 ZNBHL
b	207 805 100	4	Square head nut DIN 557 M5
c	207 063 600	16	Screw DIN-EN-ISO-14580 M6 x 25 - 8.8 - A3T

Sub Unit: Code 346-4959; Base frame without frame reduction

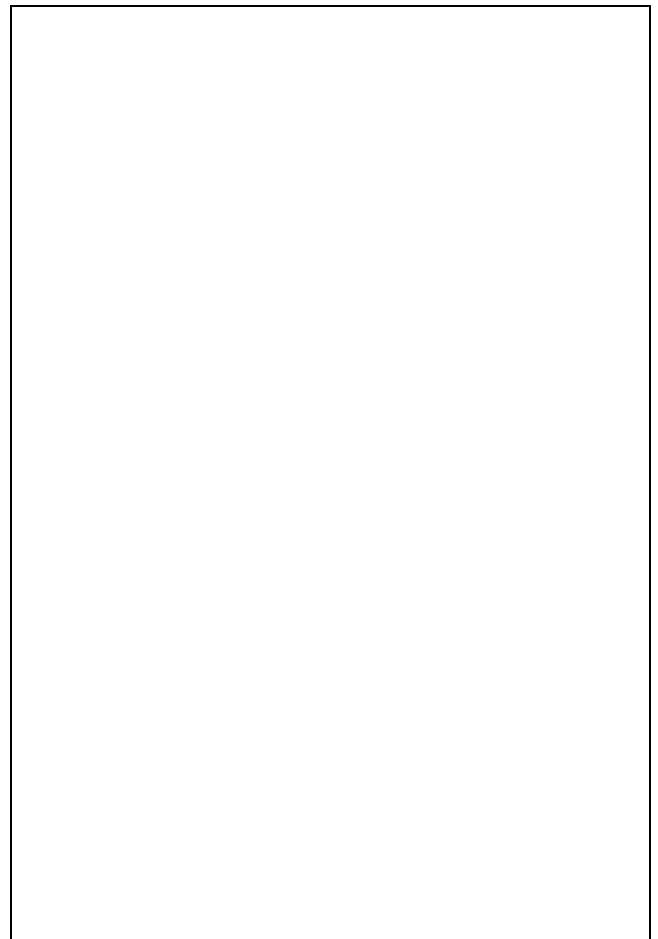
Item	Article-No:	Pc	Description
			Code 351; Frame length short (C)
1.1	1 083 760	1	Main frame Code 30-346-351-4959
1.1	1 083 761	1	Main frame Code 32-346-351-4959
1.1	1 083 762	1	Main frame Code 34-346-351-4959
1.1	1 083 763	1	Main frame Code 36-346-351-4959
1.1	1 083 764	1	Main frame Code 38-346-351-4959
1.1	1 083 765	1	Main frame Code 40-346-351-4959
1.1	1 083 766	1	Main frame Code 342-346-351-4959
1.1	1 083 767	1	Main frame Code 344-346-351-4959
1.1	1 083 768	1	Main frame Code 46-346-351-4959
1.1	1 083 769	1	Main frame Code 48-346-351-4959
1.1	1 083 770	1	Main frame Code 350-346-351-4959
			Code 352; Frame length medium (D)
1.1	1 083 700	1	Main frame Code 30-346-352-4959
1.1	1 083 701	1	Main frame Code 32-346-352-4959
1.1	1 083 702	1	Main frame Code 34-346-352-4959
1.1	1 083 703	1	Main frame Code 36-346-352-4959
1.1	1 083 704	1	Main frame Code 38-346-352-4959
1.1	1 083 705	1	Main frame Code 40-346-352-4959
1.1	1 083 706	1	Main frame Code 342-346-352-4959
1.1	1 083 707	1	Main frame Code 344-346-352-4959
1.1	1 083 708	1	Main frame Code 46-346-352-4959
1.1	1 083 709	1	Main frame Code 48-346-352-4959
1.1	1 083 710	1	Main frame Code 350-346-352-4959

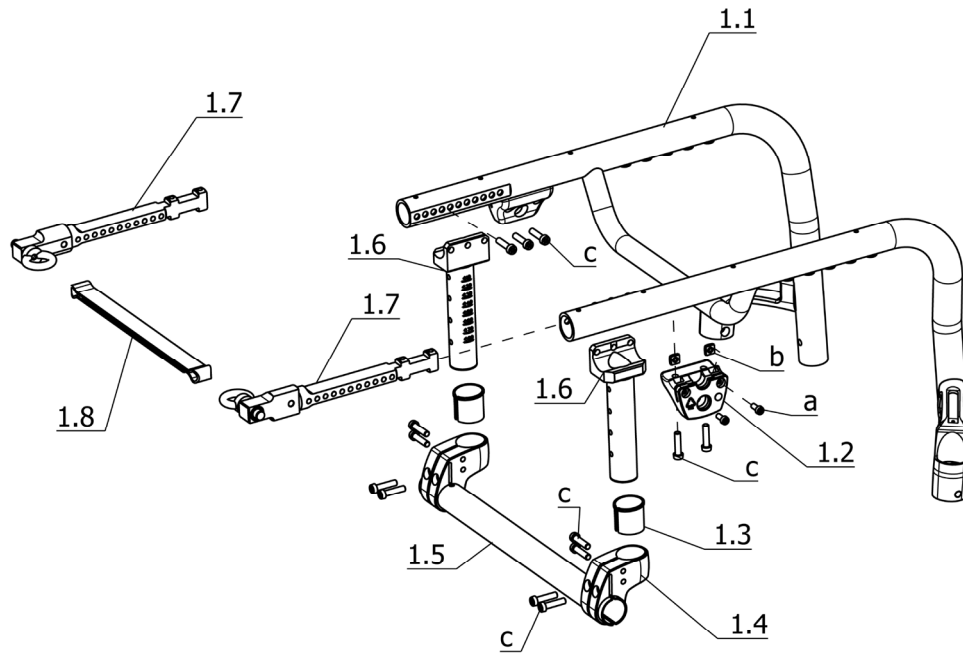
Nano / a
Component unit: Frame



Sub Unit: Code 346-4959; Base frame without frame reduction

Item	Article-No:	Pc	Description
Code 353; Frame length long (E)			
1.1	1 083 711	1	Main frame Code 30-346-353-4959
1.1	1 083 712	1	Main frame Code 32-346-353-4959
1.1	1 083 713	1	Main frame Code 34-346-353-4959
1.1	1 083 714	1	Main frame Code 36-346-353-4959
1.1	1 083 715	1	Main frame Code 38-346-353-4959
1.1	1 083 716	1	Main frame Code 40-346-353-4959
1.1	1 083 717	1	Main frame Code 342-346-353-4959
1.1	1 083 718	1	Main frame Code 344-346-353-4959
1.1	1 083 719	1	Main frame Code 46-346-353-4959
1.1	1 083 720	1	Main frame Code 48-346-353-4959
1.1	1 083 721	1	Main frame Code 350-346-353-4959





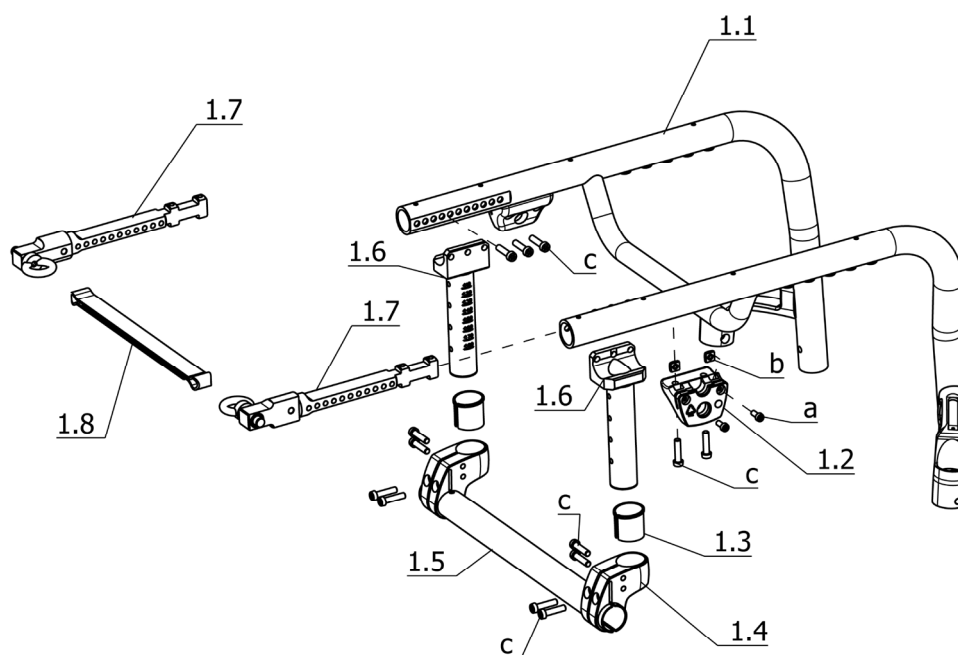
Sub Unit: Code 347-4950; Active frame with frame reduction

Item	Article-No:	Pc	Description
1.2	1 081 994	2	Arm support bracket
1.3	1 081 995	2	Socket
1.4	1 081 982	2	Axle adapter black anodised
1.5	1 083 103	1	Axle tube Code 30 black anodised
1.5	1 083 104	1	Axle tube Code 32 black anodised
1.5	1 083 105	1	Axle tube Code 34 black anodised
1.5	1 083 106	1	Axle tube Code 36 black anodised
1.5	1 083 107	1	Axle tube Code 38 black anodised
1.5	1 083 108	1	Axle tube Code 40 black anodised
1.5	1 083 109	1	Axle tube Code 342 black anodised
1.5	1 083 110	1	Axle tube Code 344 black anodised
1.5	1 083 111	1	Axle tube Code 46 black anodised
1.5	1 083 112	1	Axle tube Code 48 black anodised
1.5	1 083 113	1	Axle tube Code 350 black anodised
1.6	1 081 985	2	Axle tube receptacle black anodised
1.7	1 083 695	2	Insertable extension assy
1.8	5 005 402	1	Release belt, seat width 33-45
a	207 065 200	4	Screw DIN-EN-ISO-14580 M5 x 12 - 8.8 ZNBHL
b	207 805 100	4	Square head nut DIN 557 M5
c	207 063 600	16	Screw DIN-EN-ISO-14580 M6 x 25 - 8.8 - A3T

Sub Unit: Code 347-4950; Active frame with frame reduction

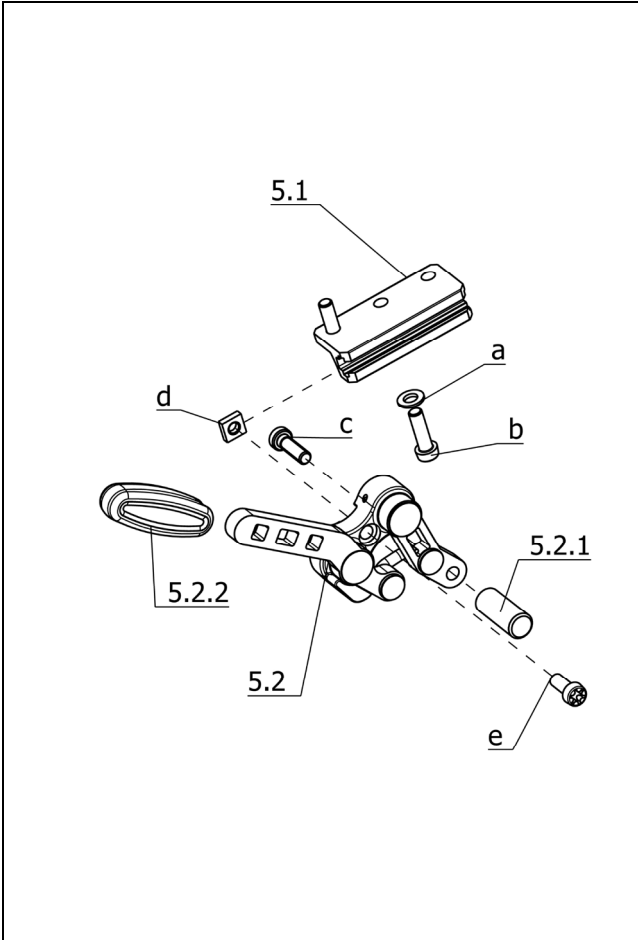
Item	Article-No:	Pc	Description
			Code 351; Frame length short (C)
1.1	1 083 156	1	Main frame Code 30-347-351-4950
1.1	1 083 157	1	Main frame Code 32-347-351-4950
1.1	1 083 158	1	Main frame Code 34-347-351-4950
1.1	1 083 159	1	Main frame Code 36-347-351-4950
1.1	1 083 160	1	Main frame Code 38-347-351-4950
1.1	1 083 161	1	Main frame Code 40-347-351-4950
1.1	1 083 162	1	Main frame Code 342-347-351-4950
1.1	1 083 163	1	Main frame Code 344-347-351-4950
1.1	1 083 164	1	Main frame Code 46-347-351-4950
1.1	1 083 165	1	Main frame Code 48-347-351-4950
1.1	1 083 166	1	Main frame Code 350-347-351-4950
			Code 352; Frame length medium (D)
1.1	1 083 167	1	Main frame Code 30-347-352-4950
1.1	1 083 168	1	Main frame Code 32-347-352-4950
1.1	1 083 169	1	Main frame Code 34-347-352-4950
1.1	1 083 170	1	Main frame Code 36-347-352-4950
1.1	1 083 171	1	Main frame Code 38-347-352-4950
1.1	1 083 172	1	Main frame Code 40-347-352-4950
1.1	1 083 173	1	Main frame Code 342-347-352-4950
1.1	1 083 174	1	Main frame Code 344-347-352-4950
1.1	1 083 175	1	Main frame Code 46-347-352-4950
1.1	1 083 176	1	Main frame Code 48-347-352-4950
1.1	1 083 177	1	Main frame Code 350-347-352-4950

Nano / a
Component unit: Frame



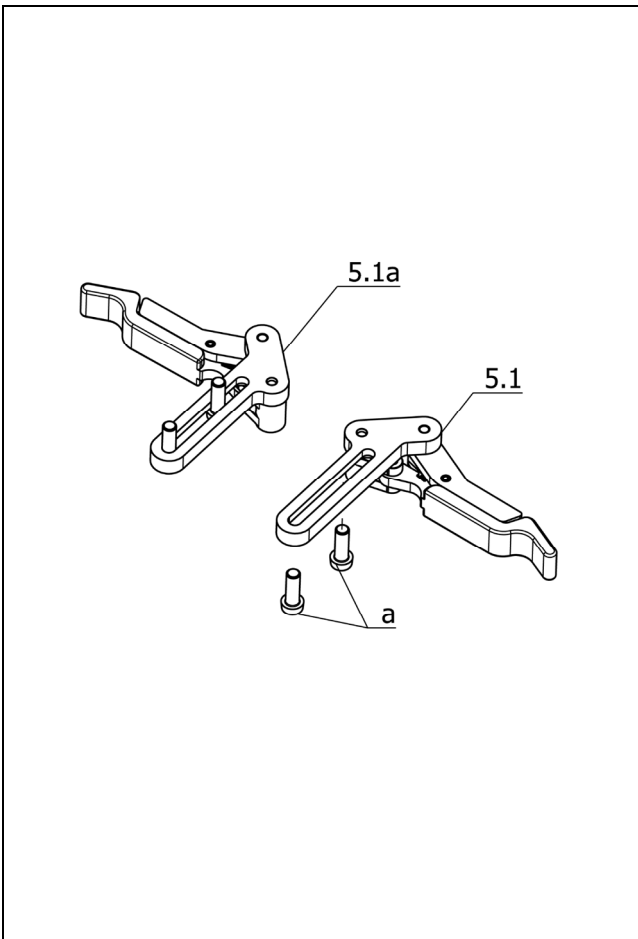
Sub Unit: Code 347-4950; Active frame with frame reduction

Item	Article-No:	Pc	Description
Code 353; Frame length long (E)			
1.1	1 083 740	1	Main frame Code 30-347-353-4950
1.1	1 083 741	1	Main frame Code 32-347-353-4950
1.1	1 083 742	1	Main frame Code 34-347-353-4950
1.1	1 083 743	1	Main frame Code 36-347-353-4950
1.1	1 083 744	1	Main frame Code 38-347-353-4950
1.1	1 083 745	1	Main frame Code 40-347-353-4950
1.1	1 083 746	1	Main frame Code 342-347-353-4950
1.1	1 083 747	1	Main frame Code 344-347-353-4950
1.1	1 083 748	1	Main frame Code 46-347-353-4950
1.1	1 083 749	1	Main frame Code 48-347-353-4950
1.1	1 083 750	1	Main frame Code 350-347-353-4950



Sub Unit: Code 305; Pressure brake fixed

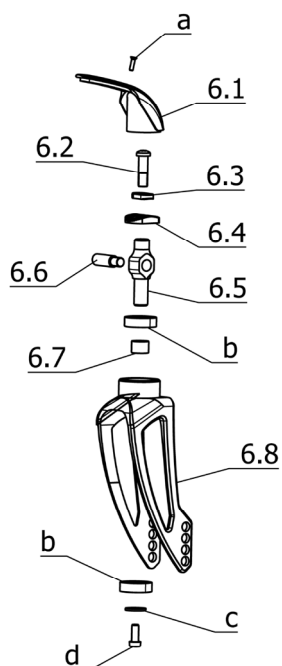
Item	Article-No:	Pc	Description
5	1 083 756	1	Pressure brake left asmb Code 305
5a	1 083 757	1	Pressure brake right asmb Code 305
5.1	1 070 629	2	Brake attachment
5.2	1 083 754	1	Pressure brake left
5.2a	1 083 755	1	Pressure brake right
5.2.1	1 061 720	2	Brake bolt w internal thread (30 mm brake beam)
5.2.2	1 066 790	2	Brake lever cap (handle)
a	207 330 200	4	Washer, DIN 125-B6,4 St. A3T
b	207 062 300	6	Screw DIN-EN-ISO-14580 M6 x 20 - 8.8 - A3T
c	207 352 000	2	Cheese head screw M6 X 20 DIN7984 8.8 A3T
d	207 805 000	2	Square head nut DIN 562 M 6-4
e	207 062 100	4	Screw DIN-EN-ISO-14580 M6 x 15 - 8.8 - A3T



Sub Unit: Code 2595; "Light" pressure brake, foldaway

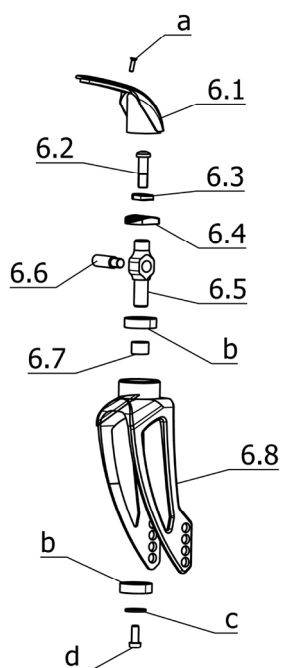
Item	Article-No:	Pc	Description
5.1	1 079 649	1	Brake left asmb. Code 595 (LIGHT-brake new)
5.1a	1 079 650	1	Brake right asmb. Code 595 (LIGHT-brake new)
a	207 062 200	4	Screw DIN-EN-ISO-14580 M6 x 18 - 8.8 - A3T

Nano / a
Component unit: Chassis



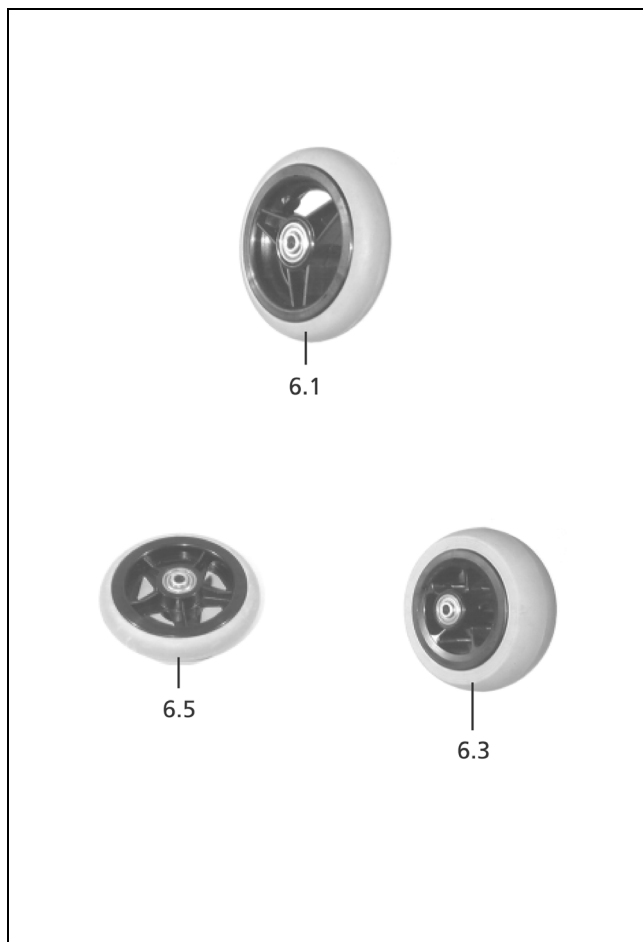
Sub Unit: Code 418; Steering fork short

Item	Article-No:	Pc	Description
6	1 084 340	2	Wheel fork asmb. Code 418
6.1	1 081 993	2	Castor stem cap
6.2	1 083 114	2	special screw M8 X 27,50
6.3	1 081 962	2	Sprocket ring
6.4	1 081 964	2	Toothed washer
6.5	1 081 963	2	Steering wheel axle
6.6	1 081 974	2	Axle bolt
6.7	1 081 973	2	Distancer sleeve ID=12.20 AD=15.00 H=10.00mm
6.8	1 081 986	2	Wheel fork short for Code 418 black anodised
a	207 580 900	2	Countersunk head screw DIN 965
b	206 504 100	4	Grooved ball bearing DIN 625 6001- RS
c	207 335 100	2	Washer DIN 9021-B6,4 ST A3T
d	207 062 100	2	Screw DIN-EN-ISO-14580 M6 x 15 - 8.8 - A3T

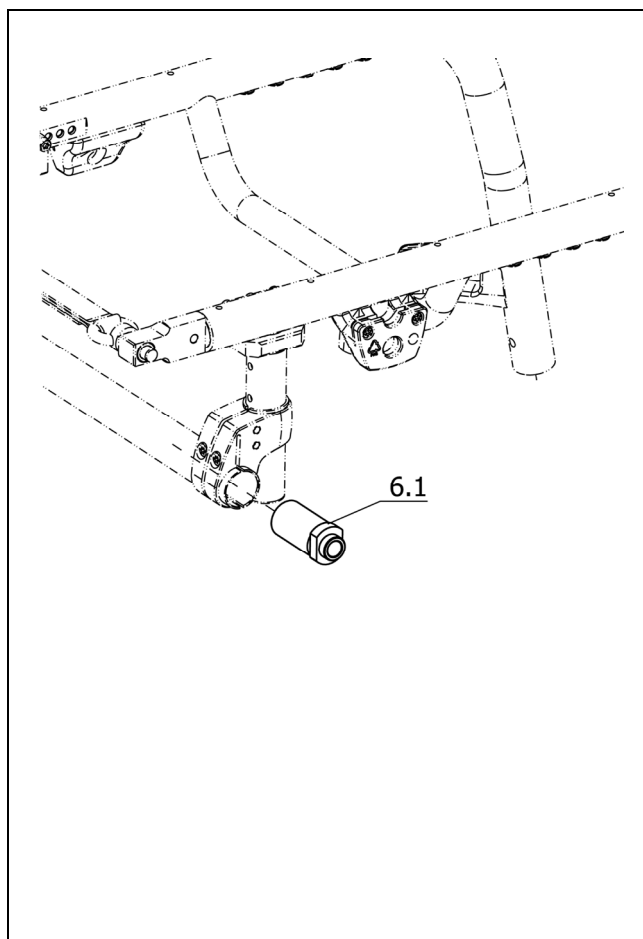


Sub Unit: Code 419; Long steering fork

Item	Article-No:	Pc	Description
6	1 084 341	2	Wheel fork asmb. Code 419
6.1	1 081 993	2	Castor stem cap
6.2	1 083 114	2	special screw M8 X 27,50
6.3	1 081 962	2	Sprocket ring
6.4	1 081 964	2	Toothed washer
6.5	1 081 963	2	Steering wheel axle
6.6	1 081 974	2	Axle bolt
6.7	1 081 973	2	Distancer sleeve ID=12.20 AD=15.00 H=10.00mm
6.8	1 081 971	2	Wheel fork long for Code 419 black anodised
a	207 580 900	2	Countersunk head screw DIN 965
b	206 504 100	4	Grooved ball bearing DIN 625 6001- RS
c	207 335 100	2	Washer DIN 9021-B6,4 ST A3T
d	207 062 100	2	Screw DIN-EN-ISO-14580 M6 x 15 - 8.8 - A3T

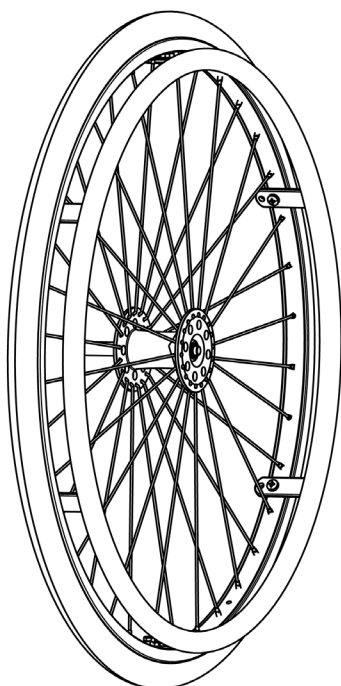

Sub Unit: Steering wheels

Item	Article-No:	Pc	Description
-	209 005 400	2	Filister flat head screw, M6x12
-	1 043 172	2	Steering wheel screw
-	207 330 300	4	Washer DIN 125 - B8,4 ST A3T
-	1 032 152	2	Distance bush
Code 327; Steering wheel ø140x37mm, solid rubber tyres			
6.3	206 249 906	2	Wheel 140 x 37, Code 154
-	209 005 300	2	Steering wheel screw,8x51,5
Code 151; Steering wheel ø100 solid rubber			
6.1	206 249 506	2	Roller 100 x 30, hub 36 mm solid rubber, grey
Code 325; Steering wheel ø125 solid rubber			
6.5	206 248 106	2	Wheel 125x30 hub 36 mm


Sub Unit: Wheel camber adapter

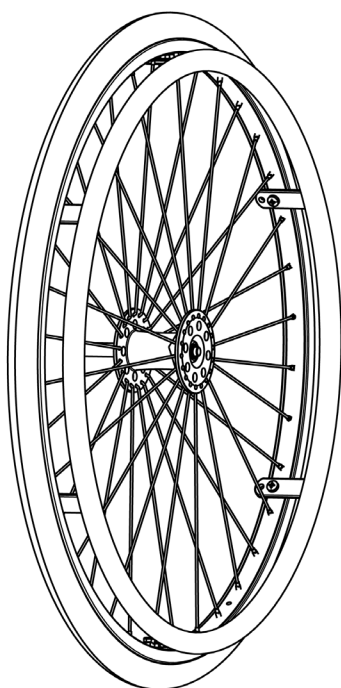
Item	Article-No:	Pc	Description
Code 423; Wheel camber 0°			
6.1	1 082 018	2	Wheel camber adapter 0°
Code 478; Wheel camber 3°			
6.1	1 083 759	1	Wheel camber adapter 3°
->The surfaces on the wheel camber adapter must be aligned vertically to the ground during assembly on the wheelchair.			

Nano / a
Component unit: Chassis



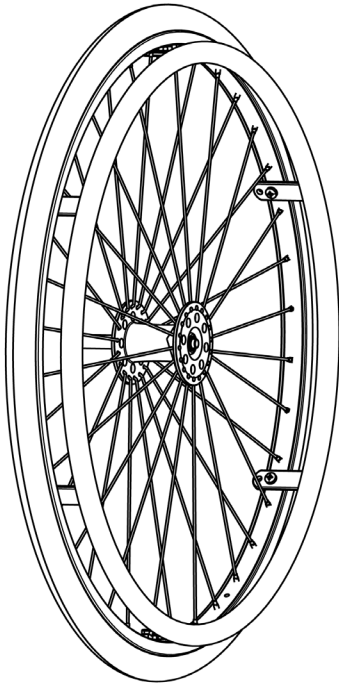
Sub Unit: Drive wheels 24" - Tyres

Item	Article-No:	Pc	Description
			Code 363; Schwalbe ONE without profile puncture proof
-	206 140 600	2	"Tyre 24 X 1" SCHWALBE ONE" Code 363
-	206 111 400	2	Hose / inner tube, 24 x 1"
-	206 122 300	2	Rim band 24"
			Code 496; High pressure - tyres 8 bar grey
-	206 117 102	2	Blanket / casing, 24 x 1" grey
-	206 111 400	2	Hose / inner tube, 24 x 1"
-	206 122 300	2	Rim band 24"
			Code 897; Marathon Plus Evolution tyres
-	206 121 706	2	MARATHON PLUS EVOLUTION tyre 24X1" 25-540 black
-	206 111 400	2	Hose / inner tube, 24 x 1"
-	206 122 300	2	Rim band 24"

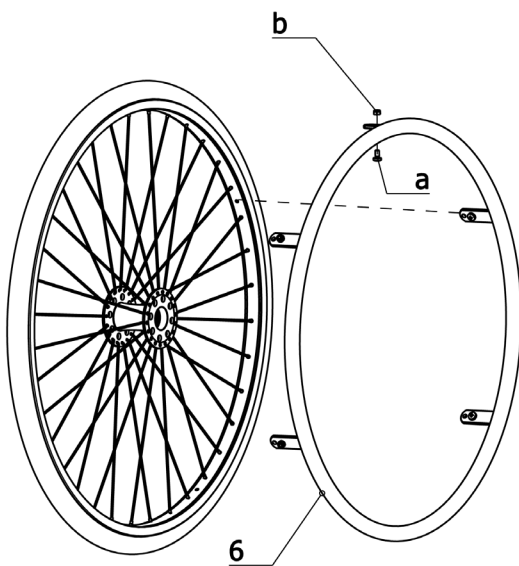


Sub Unit: Drive wheels 25" - Tyres

Item	Article-No:	Pc	Description
			Code 897; Marathon Plus Evolution tyres
-	206 121 806	2	MARATHON PLUS EVOLUTION TYRE 25X1" 25-559 BLACK
-	206 114 300	2	TUBE 25X1" 1610 AV STRAIGHT
-	206 124 600	2	Rim band blue 19mm one side adhesive, running meter

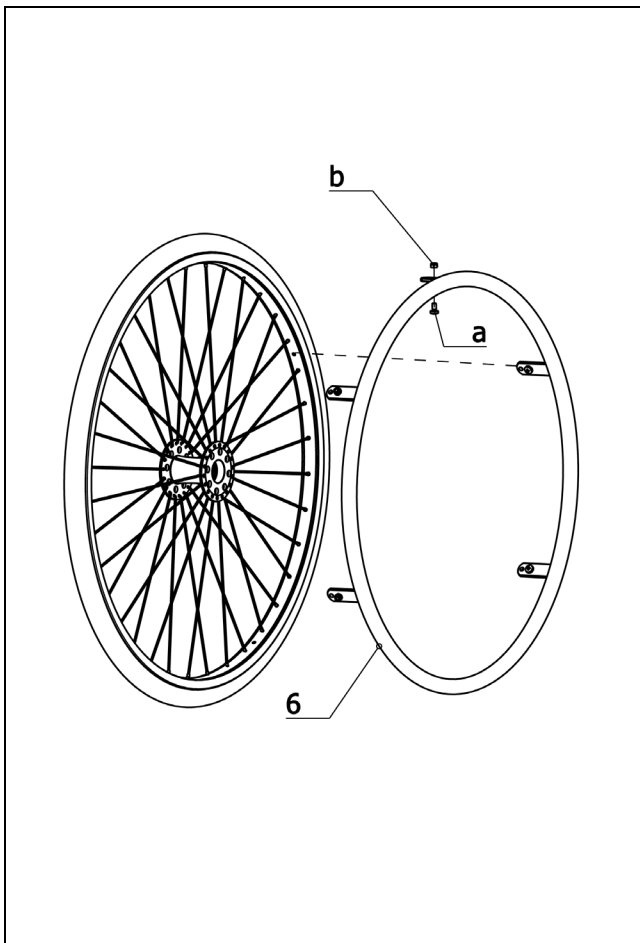
**Sub Unit: Drive wheels 26" - Tyres**

Item	Article-No:	Pc	Description
Code 897; Marathon Plus Evolution tyres			
-	1 072 683	2	Casing 26x1" 25-590 black" Marathon Plus Evolution
-	206 113 900	2	Tube 26 X 1 AV straight 0360
-	206 124 600	2	Rim band blue 19mm one side adhesive, running meter

**Sub Unit: Handrims - Handrim covers**

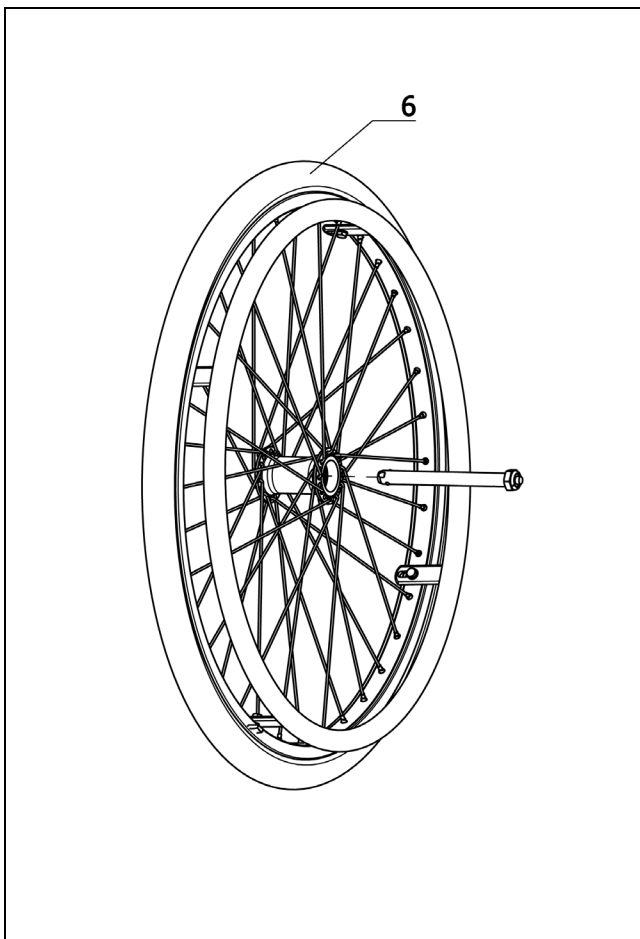
Item	Article-No:	Pc	Description
-	5 006 549	0	Screw set for handrims (washer dep. on bracket thic.) ->Quantity depends on number of brackets
Code 166; Handrim cover silic.,black,smooth			
-	205 144 506	2	Handrim coating 24" black code 61-166
Code 168; Tetraplegic-silicon handrim			
6	205 641 000	2	Handrim 24"tetraplegic silicone for code 168
6	205 657 800	2	TETRAPLEGIC HANDRIM 24" CODE 168 WITH 6 FASTENERS
Code 445; Titanium handrim			
6	1 068 823	2	Handrim 24" TITAN 6holder for JUMBO/SPINERGY-hub 1piece
6	1 068 828	2	Handrim 25" TITAN 6holder for JUMBO/SPINERGY-hub 1piece
6	1 068 829	2	Handrim 26" TITAN 6holder for JUMBO/SPINERGY-hub 1piece
Code 493; Handrim stainless steel			
6	205 546 600	2	Handrim 24" stainless steel
6	1 068 827	2	"Handrim stainless steel 24" 6 holder 1 piece
6	1 059 573	2	HANDRIM 25" WITH 6 FASTENERS STAINLESS STEEL
6	1 068 825	2	Stainless steel handrim 26" 6 brackets
Code 494; Handrim aluminium			
6	8 442 962	2	Handrim 24" aluminium

Nano / a
Component unit: Chassis



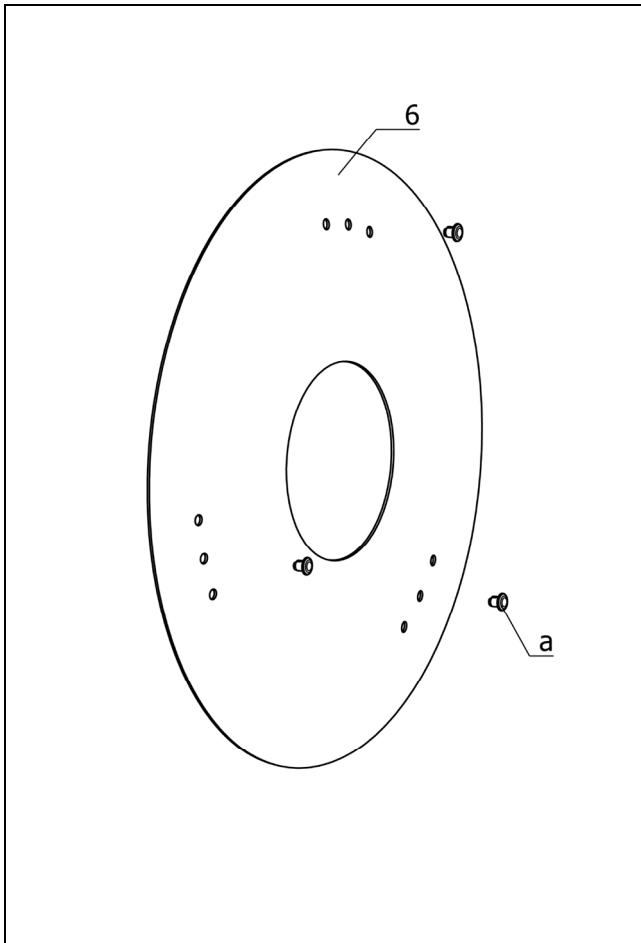
Sub Unit: Handrims - Handrim covers

Item	Article-No:	Pc	Description
Code 849; Handrims Curve L			
6	1 078 827	2	"Handrim curve L 24"" 6holder" Code 849 (black anodized)
Code 850; Handrims Curve L Grip			
6	1 078 828	1	"Handrim curve L grip 24"" Code 850 6holder (rubber)
Code 853; Handrim Curve GEKKO			
6	1 080 439	2	Handrim CURVE GEKKO 24"" Code 853 6holder



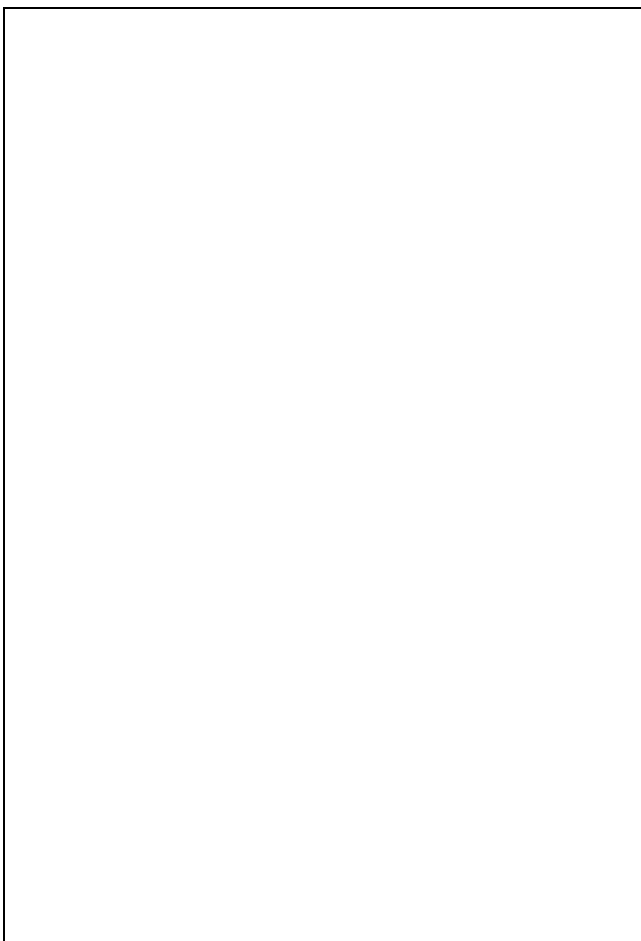
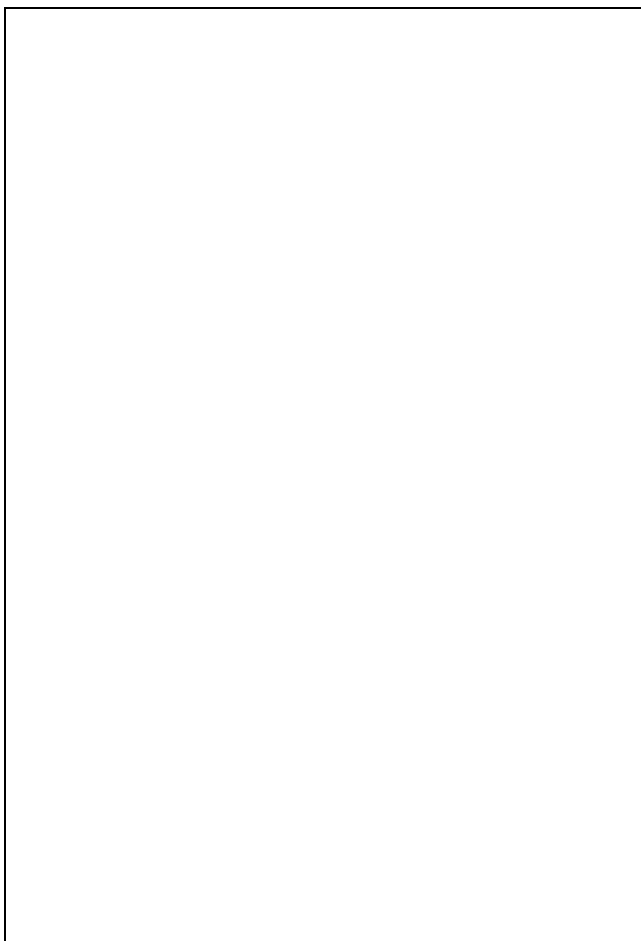
Sub Unit: Driving wheel for pressure brake

Item	Article-No:	Pc	Description
Wheel size 24"			
6	5 006 381	2	Drive wheel 24"" x 1"" Code 61-493-496-651-895
6	5 006 382	2	Drive wheel 24"" x 1"" Code 61-494-496-651-895
6	1 050 268	2	DRIVE WHEEL 24 x 1" CODE 476-641/651-902-493
6	1 050 269	2	Drive wheel 24 X 1" Code 476-641/651-902-494
Code 695; Active wheel			
6	5 006 579	2	Drive wheel acc. cust. detail Code as noted : ->Attention! When ordering wheels the following data is always required. 1. Type of tyre 2. Handrim distance 3. Wheel size
Code 752; Easy running wheels			
6	1 070 185	2	ULTRA-LIGHT wheel 24""alu hand black stainless spokeCode61-752
Code 848; Silverdesign-Drive wheel			
6	5 006 528	2	Drive wheel "Silverdesign" coding acc. to customer spec.: ->Attention! When ordering wheels the following data is always required. 1. Type of tyre 2. Handrim distance 3. Wheel size



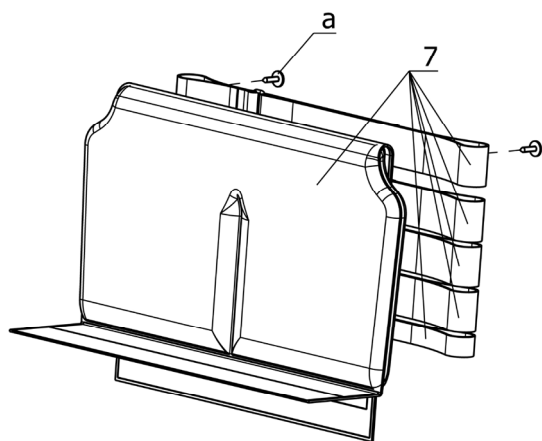
Sub Unit: Hand and spoke guard

Item	Article-No:	Pc	Description
a	1 046 354	6	Clip
Code 61; Wheel size 24"			
-	10 766 720 489	1	"HAND AND SPOKE GUARD 24"" Code 61-489 transparent 1pair
6	1 076 671	2	"HAND AND SPOKE GUARD 24"" Code 61-489 transparent 1piece



Nano / a

Component unit: Back support



Sub Unit: Back straps

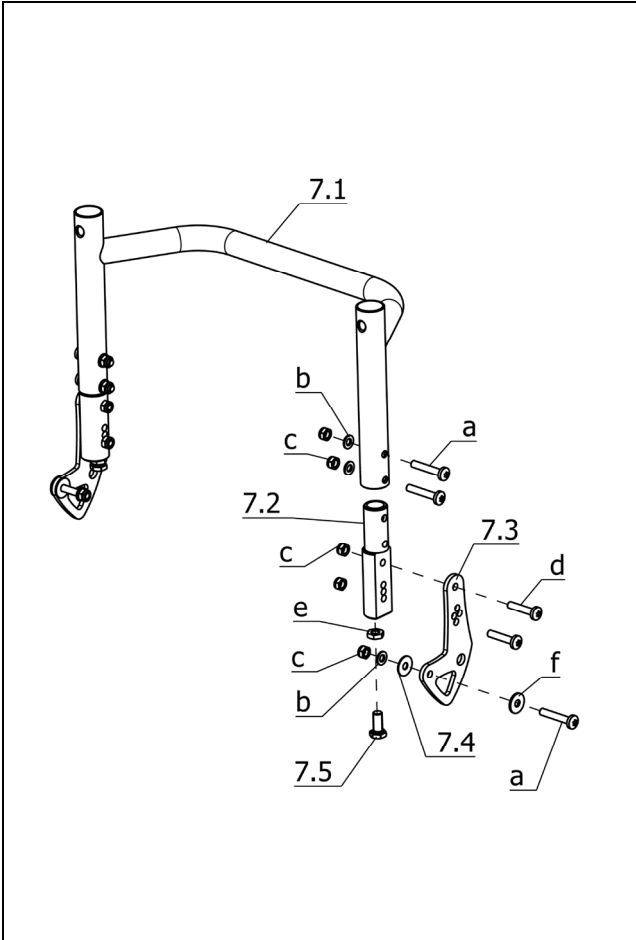
Item	Article-No:	Pc	Description
a	207 317 500	2	Filister head tapping screw, DIN 7981, B 4,8x22
Code 620; Backrest height 25cm			
7	1 083 990	1	Backrest belt BH 25 Code 30-620
7	1 083 991	1	Backrest belt BH 25 Code 32-620
7	1 083 992	1	Backrest belt BH 25 Code 34-620
7	1 083 993	1	Backrest belt BH 25 Code 36-620
7	1 083 994	1	Backrest belt BH 25 Code 38-620
7	1 083 995	1	Backrest belt BH 25 Code 40-620
7	1 083 996	1	Backrest belt BH 25 Code 342-620
7	1 083 997	1	Backrest belt BH 25 Code 344-620
7	1 083 998	1	Backrest belt BH 25 Code 46-620
7	1 083 999	1	Backrest belt BH 25 Code 48-620
7	1 084 000	1	Backrest belt BH 25 Code 350-620
Code 626; Backrest height 30cm			
7	1 084 001	1	Backrest belt BH 30 Code 30-626
7	1 084 002	1	Backrest belt BH 30 Code 32-626
7	1 084 003	1	Backrest belt BH 30 Code 34-626
7	1 084 004	1	Backrest belt BH 30 Code 36-626
7	1 084 005	1	Backrest belt BH 30 Code 38-626
7	1 084 006	1	Backrest belt BH 30 Code 40-626
7	1 084 007	1	Backrest belt BH 30 Code 342-626
7	1 084 008	1	Backrest belt BH 30 Code 344-626
7	1 084 009	1	Backrest belt BH 30 Code 46-626
7	1 084 010	1	Backrest belt BH 30 Code 48-626
7	1 084 011	1	Backrest belt BH 30 Code 350-626

Sub Unit: Back straps

Item	Article-No:	Pc	Description
Code 631; Backrest height 35cm			
7	1 084 012	1	Backrest belt BH 35 Code 30-631
7	1 084 013	1	Backrest belt BH 35 Code 32-631
7	1 084 014	1	Backrest belt BH 35 Code 34-631
7	1 084 015	1	Backrest belt BH 35 Code 36-631
7	1 084 016	1	Backrest belt BH 35 Code 38-631
7	1 084 017	1	Backrest belt BH 35 Code 40-631
7	1 084 018	1	Backrest belt BH 35 Code 342-631
7	1 084 019	1	Backrest belt BH 35 Code 344-631
7	1 084 060	1	Backrest belt BH 35 Code 46-631
7	1 084 061	1	Backrest belt BH 35 Code 48-631
7	1 084 062	1	Backrest belt BH 35 Code 350-631
Code 632; Backrest height 40cm			
7	1 084 063	1	Backrest belt BH 40 Code 30-632
7	1 084 064	1	Backrest belt BH 40 Code 32-632
7	1 084 065	1	Backrest belt BH 40 Code 34-632
7	1 084 066	1	Backrest belt BH 40 Code 36-632
7	1 084 067	1	Backrest belt BH 40 Code 38-632
7	1 084 068	1	Backrest belt BH 40 Code 40-632
7	1 084 069	1	Backrest belt BH 40 Code 342-632
7	1 084 070	1	Backrest belt BH 40 Code 344-632
7	1 084 071	1	Backrest belt BH 40 Code 46-632
7	1 084 072	1	Backrest belt BH 40 Code 48-632
7	1 084 073	1	Backrest belt BH 40 Code 350-632

Sub Unit: Back straps

Item	Article-No:	Pc	Description
Code 633; Backrest height 45cm			
7	1 084 074	1	Backrest belt BH 45 Code 30-633
7	1 084 075	1	Backrest belt BH 45 Code 32-633
7	1 084 076	1	Backrest belt BH 45 Code 34-633
7	1 084 077	1	Backrest belt BH 45 Code 36-633
7	1 084 078	1	Backrest belt BH 45 Code 38-633
7	1 084 079	1	Backrest belt BH 45 Code 40-633
7	1 084 080	1	Backrest belt BH 45 Code 342-633
7	1 084 081	1	Backrest belt BH 45 Code 344-633
7	1 084 082	1	Backrest belt BH 45 Code 46-633
7	1 084 083	1	Backrest belt BH 45 Code 48-633
7	1 084 084	1	Backrest belt BH 45 Code 350-633



Sub Unit: Back tubes

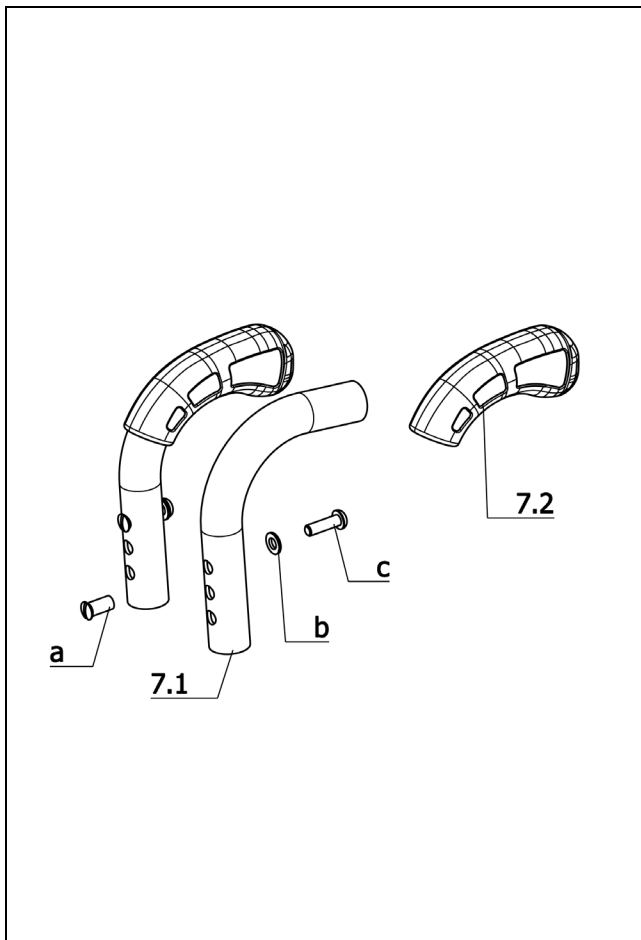
Item	Article-No:	Pc	Description
7.2	1 082 012	2	Back tube receptacle black anodised
7.3	1 082 014	2	Joint (adjustment plate)
7.4	1 082 013	2	Gliding washer
7.5	1 082 017	2	Setting screw M8 X 18
a	207 062 800	6	Screw DIN-EN-ISO-14583 M6 x 35 - 8.8 - A3T
b	207 330 200	6	Washer, DIN 125-B6,4 St. A3T
c	207 320 100	10	Locknut, DIN 980/8, M6, A3T
d	207 062 400	4	Screw DIN-EN-ISO-14583 M6 x 30 - 8.8 - A3T
e	207 327 700	2	Hexagon nut DIN 439 T2B-M8-04 A3K
f	207 335 100	2	Washer DIN 9021-B6,4 ST A3T
Code 30; Seat width 30cm			
7	1 084 344	1	Back support asmb. Code 30
7.1	1 083 127	1	Back bracket for Code 30
Code 32; Seat width 32cm			
7	1 084 345	1	Back support asmb. Code 32
7.1	1 083 128	1	Back bracket for Code 32
Code 34; Seat width 34cm			
7	1 084 346	1	Back support asmb. Code 34
7.1	1 083 129	1	Back bracket for Code 34
Code 36; Seat width 36cm			
7	1 084 347	1	Back support asmb. Code 36
7.1	1 081 940	1	Back bracket for Code 36

Sub Unit: Back tubes

Item	Article-No:	Pc	Description
Code 38; Seat width 38cm			
7	1 084 348	1	Back support asmb. Code 38
7.1	1 083 130	1	Back bracket for Code 38
Code 40; Seat width 40cm			
7	1 084 349	1	Back support asmb. Code 40
7.1	1 083 131	1	Back bracket for Code 40
Code 342; Seat width 42 cm			
7	1 084 350	1	Back support asmb. Code 342
7.1	1 083 132	1	Back bracket for Code 342
Code 344; Seat width 44 cm			
7	1 084 351	1	Back support asmb. Code 344
7.1	1 083 133	1	Back bracket for Code 344
Code 46; Seat width 46cm			
7	1 084 352	1	Back support asmb. Code 46
7.1	1 083 134	1	Back bracket for Code 46
Code 48; Seat width 48cm			
7	1 084 353	1	Back support asmb. Code 48
7.1	1 083 135	1	Back bracket for Code 48
Code 50; Seat width 50cm			
7	1 084 354	1	Back support asmb. Code 350
7.1	1 083 136	1	Back bracket for Code 350

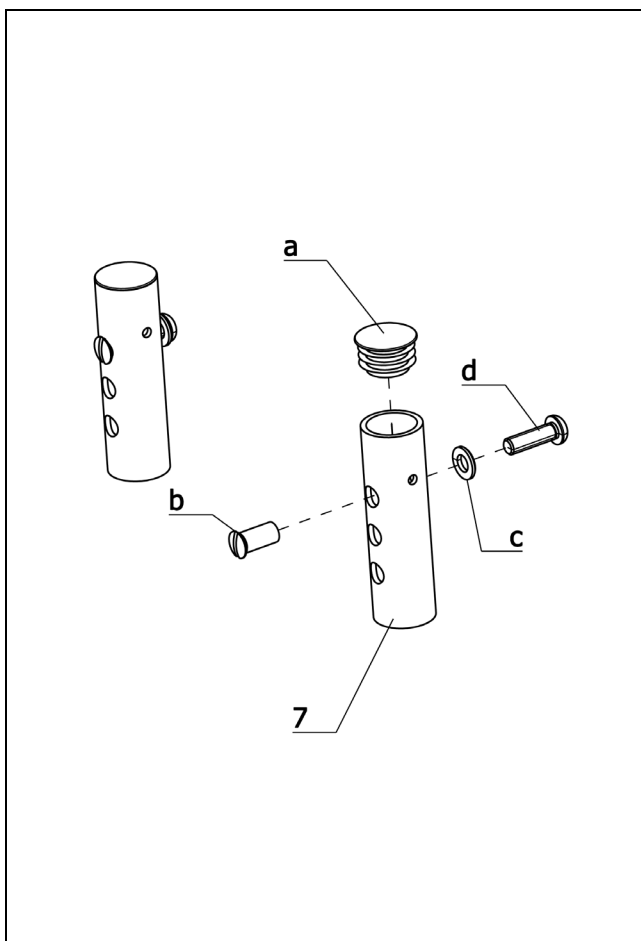
Nano / a

Component unit: Back support



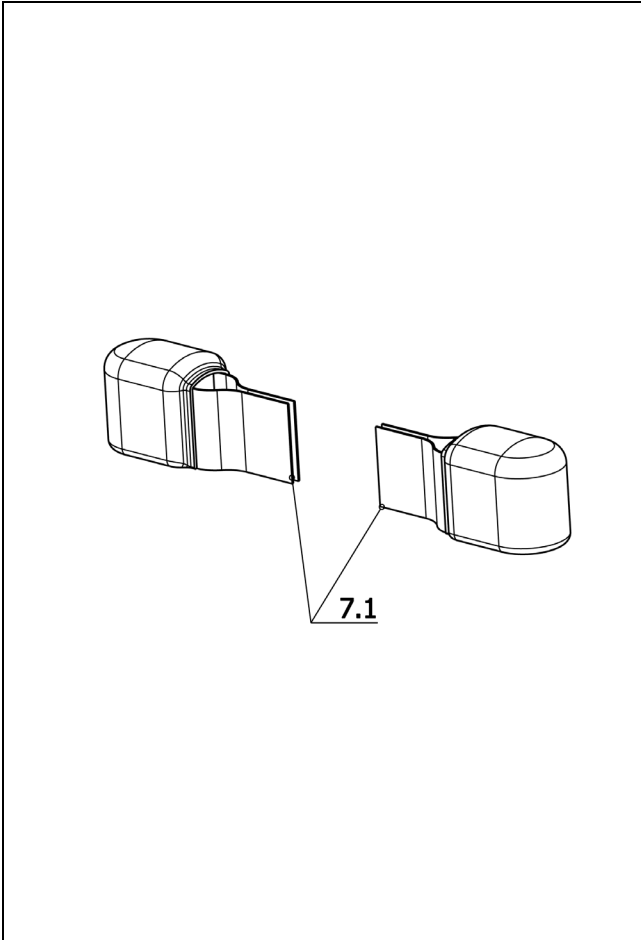
Sub Unit: Code 410; Push handles removable

Item	Article-No:	Pc	Description
Note: The push handles can be screwed on in 3 heights.			
7.2	1 051 502	2	Handle
a	205 507 200	2	Sleeve nut, No. 3350042
b	207 330 200	2	Washer, DIN 125-B6,4 St. A3T
c	207 380 000	2	Filister head screw M6x20 DIN7380 10,9 A3T
Code 620; Back support height 25cm			
7	1 059 371	1	PUSHING HANDLES ASMB. - 1 PAIR CODE 410-620
7.1	1 058 337	2	HANDLE TUBE BH 25 CM
Code 625; Back support height 30cm			
7	1 059 372	1	PUSHING HANDLES ASMB. - 1 PAIR CODE 410-625
7.1	1 058 101	2	HANDLE TUBE BH 30 CM
Code 630; Back support height 35cm			
7	1 059 373	1	PUSHING HANDLES ASMB. - 1 PAIR COD 410-630
7.1	1 059 368	2	HANDLE TUBE BH 35 CM
Code 635; Back support height 40cm			
7	1 059 374	1	PUSHING HANDLES ASMB. - 1 PAIR CODE 410-374
7.1	1 059 369	2	HANDLE TUBE BH 40 CM
Code 636; Back support height 45cm			
7	1 059 375	1	PUSHING HANDLES ASMB. - 1 PAIR CODE 410-636
7.1	1 059 370	2	HANDLE TUBE BH 45 CM



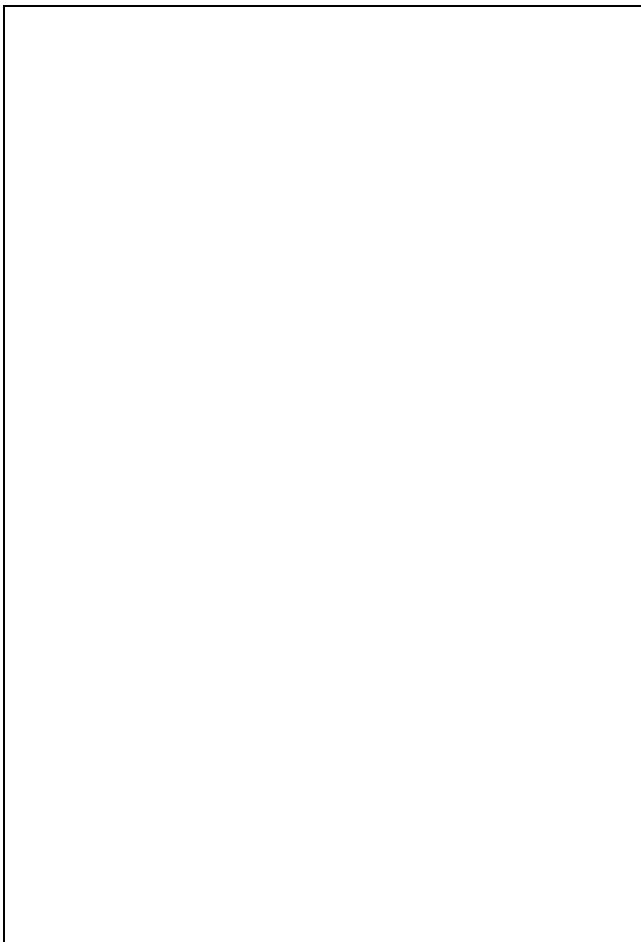
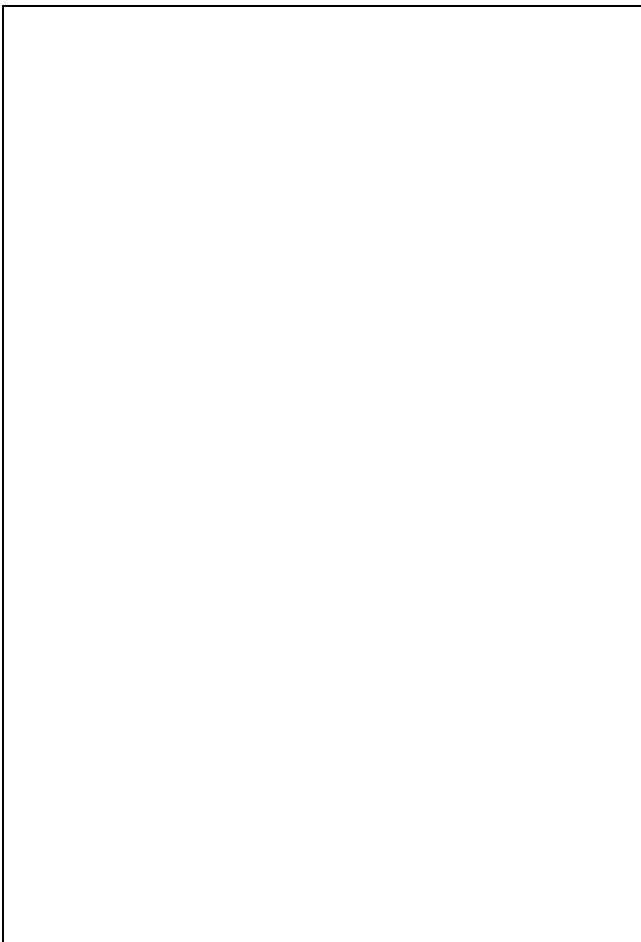
Sub Unit: Code 411; Back support without handgrips

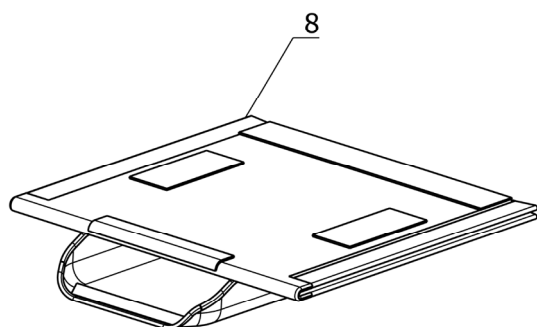
Item	Article-No:	Pc	Description
Note: The push handles can be screwed on in 3 heights.			
a	205 047 400	2	Round plug 22, 22x1,5 SFL
b	205 507 200	2	Sleeve nut, No. 3350042
c	207 330 200	2	Washer, DIN 125-B6,4 St. A3T
d	207 380 000	2	Filister head screw M6x20 DIN7380 10,9 A3T
Code 620; Back support height 25cm			
7	1 075 025	1	Handle tubes Code 411-620 w/o grip - 1 pair
Code 625; Back support height 30cm			
7	1 075 026	1	Handle tubes Code 411-625 w/o grip - 1 pair
Code 630; Back support height 35cm			
7	1 075 027	1	Handle tubes Code 411-630 w/o grip - 1 pair
Code 635; Back support height 40cm			
7	1 075 028	1	Handle tubes Code 411-635 w/o grip - 1 pair
Code 636; Back support height 45cm			
7	1 075 029	1	Handle tubes Code 411-636 w/o grip - 1 pair



Sub Unit: Code 776; Leather protection for back

Item	Article-No:	Pc	Description
7.1	1 061 054	2	LEATHER CAP FOR BACK ACC. TO SPECIFICATION - CODE 576



Nano / a
Component unit: Seat

Sub Unit: Seat straps

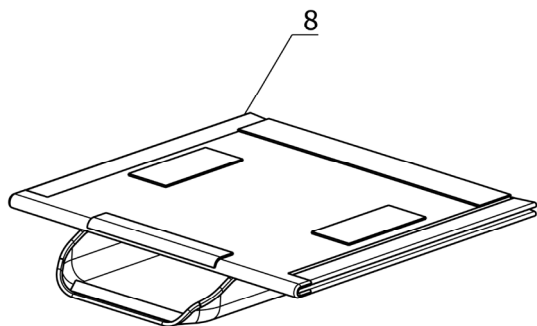
Item	Article-No:	Pc	Description
Code 368; seatbelt depth 38cm			
8	1 083 857	1	Seat belt asmb. Code 30-368
8	1 083 858	1	Seat belt asmb. Code 32-368
8	1 083 859	1	Seat belt asmb. Code 34-368
8	1 083 860	1	Seat belt asmb. Code 36-368
8	1 083 861	1	Seat belt asmb. Code 38-368
8	1 083 862	1	Seat belt asmb. Code 40-368
8	1 083 863	1	Seat belt asmb. Code 342-368
8	1 083 864	1	Seat belt asmb. Code 344-368
8	1 083 865	1	Seat belt asmb. Code 46-368
8	1 083 866	1	Seat belt asmb. Code 48-368
8	1 083 867	1	Seat belt asmb. Code 350-368
Code 615; seatbelt depth 40cm			
8	1 083 868	1	Seat belt asmb. Code 30-615
8	1 083 869	1	Seat belt asmb. Code 32-615
8	1 083 870	1	Seat belt asmb. Code 34-615
8	1 083 871	1	Seat belt asmb. Code 36-615
8	1 083 872	1	Seat belt asmb. Code 38-615
8	1 083 873	1	Seat belt asmb. Code 40-615
8	1 083 874	1	Seat belt asmb. Code 342-615
8	1 083 875	1	Seat belt asmb. Code 344-615
8	1 083 876	1	Seat belt asmb. Code 46-615
8	1 083 877	1	Seat belt asmb. Code 48-615
8	1 083 878	1	Seat belt asmb. Code 350-615

Sub Unit: Seat straps

Item	Article-No:	Pc	Description
Code 784; seatbelt depth 42cm			
8	1 083 879	1	Seat belt asmb. Code 30-784
8	1 083 880	1	Seat belt asmb. Code 32-784
8	1 083 881	1	Seat belt asmb. Code 34-784
8	1 083 882	1	Seat belt asmb. Code 36-784
8	1 083 883	1	Seat belt asmb. Code 38-784
8	1 083 884	1	Seat belt asmb. Code 40-784
8	1 083 885	1	Seat belt asmb. Code 342-784
8	1 083 886	1	Seat belt asmb. Code 344-784
8	1 083 887	1	Seat belt asmb. Code 46-784
8	1 083 888	1	Seat belt asmb. Code 48-784
8	1 083 889	1	Seat belt asmb. Code 350-784
Code 618; seatbelt depth 44cm			
8	1 083 890	1	Seat belt asmb. Code 30-618
8	1 083 891	1	Seat belt asmb. Code 32-618
8	1 083 892	1	Seat belt asmb. Code 34-618
8	1 083 893	1	Seat belt asmb. Code 36-618
8	1 083 894	1	Seat belt asmb. Code 38-618
8	1 083 895	1	Seat belt asmb. Code 40-618
8	1 083 896	1	Seat belt asmb. Code 342-618
8	1 083 897	1	Seat belt asmb. Code 344-618
8	1 083 898	1	Seat belt asmb. Code 46-618
8	1 083 899	1	Seat belt asmb. Code 48-618
8	1 083 900	1	Seat belt asmb. Code 350-618

Sub Unit: Seat straps

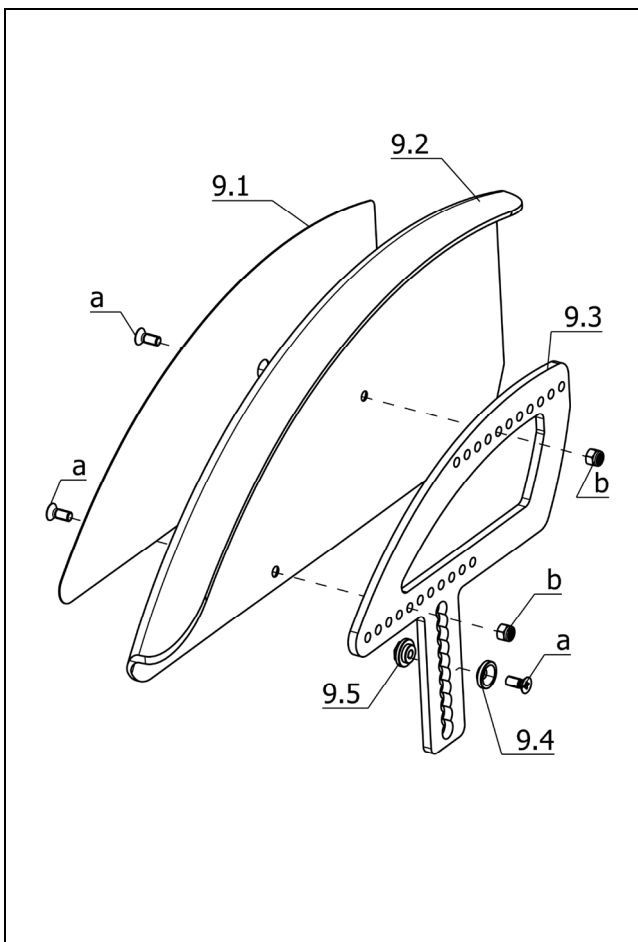
Item	Article-No:	Pc	Description
Code 619; seatbelt depth 46cm			
8	1 083 901	1	Seat belt asmb. Code 30-619
8	1 083 902	1	Seat belt asmb. Code 32-619
8	1 083 903	1	Seat belt asmb. Code 34-619
8	1 083 904	1	Seat belt asmb. Code 36-619
8	1 083 905	1	Seat belt asmb. Code 38-619
8	1 083 906	1	Seat belt asmb. Code 40-619
8	1 083 907	1	Seat belt asmb. Code 342-619
8	1 083 908	1	Seat belt asmb. Code 344-619
8	1 083 909	1	Seat belt asmb. Code 46-619
8	1 083 910	1	Seat belt asmb. Code 48-619
8	1 083 911	1	Seat belt asmb. Code 350-619
Code 787; seatbelt depth 48cm			
8	1 083 912	1	Seat belt asmb. Code 30-787
8	1 083 913	1	Seat belt asmb. Code 32-787
8	1 083 914	1	Seat belt asmb. Code 34-787
8	1 083 915	1	Seat belt asmb. Code 36-787
8	1 083 916	1	Seat belt asmb. Code 38-787
8	1 083 917	1	Seat belt asmb. Code 40-787
8	1 083 918	1	Seat belt asmb. Code 342-787
8	1 083 919	1	Seat belt asmb. Code 344-787
8	1 083 920	1	Seat belt asmb. Code 46-787
8	1 083 921	1	Seat belt asmb. Code 48-787
8	1 083 922	1	Seat belt asmb. Code 350-787



Sub Unit: Seat straps

Item	Article-No:	Pc	Description
Code 792; Seatbelt depth 53cm			
8	1 083 923	1	Seat belt asmb. Code 30-792
8	1 083 924	1	Seat belt asmb. Code 32-792
8	1 083 925	1	Seat belt asmb. Code 34-792
8	1 083 926	1	Seat belt asmb. Code 36-792
8	1 083 927	1	Seat belt asmb. Code 38-792
8	1 083 928	1	Seat belt asmb. Code 40-792
8	1 083 929	1	Seat belt asmb. Code 342-792
8	1 083 930	1	Seat belt asmb. Code 344-792
8	1 083 931	1	Seat belt asmb. Code 46-792
8	1 083 932	1	Seat belt asmb. Code 48-792
8	1 083 933	1	Seat belt asmb. Code 350-792

Nano / a
Component unit: Armrests



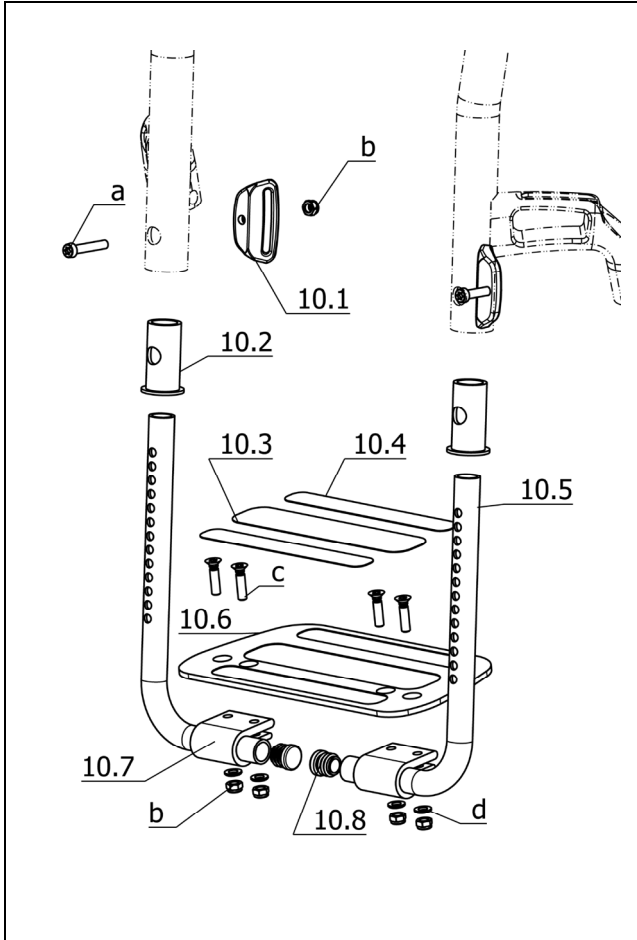
Sub Unit: Code 100; Clothes guard for active wheelchair

Item	Article-No:	Pc	Description
-	1 083 751	1	Arm support left asmb Code 100
-	1 083 752	1	Arm support right asmb Code 100
9.1	1 083 753	1	Protective foil left for Code 100
9.1a	1 083 138	1	Protective foil right for Code 100
9.2	1 082 010	1	Arm support left for Code 100
9.2a	1 082 011	1	Arm support right for Code 100
9.3	1 081 996	1	Arm support bracket (black matte)
9.4	1 081 997	1	Countersunk washer
9.5	1 081 998	1	Locking disc
a	207 344 200	3	Countersunk head screw DIN 965 M 5x12-4.8
b	207 322 000	2	Locknut, DIN 980/8, M5

Code 624; Rear seat height 350-410mm

-	1 083 723	1	Arm support left asmb Code 100-624
-	1 083 725	1	Arm support right asmb Code 100-624
9.1	1 083 726	1	Protective foil left for Code 100-624
9.1a	1 083 727	1	Protective foil right for Code 100-624
9.2	1 083 722	1	Arm support left for Code 100-624
9.2a	1 083 724	1	Arm support right for Code 100-624

Nano / a Component unit: Leg supports



Sub Unit: Code 312; Sports leg support with footplate and rubber overlay

Item	Article-No:	Pc	Description
a	207 062 800	2	Screw DIN-EN-ISO-14583 M6 x 35 - 8.8 - A3T
b	207 320 100	6	Locknut, DIN 980/8, M6, A3T
c	207 063 100	4	Screw DIN-EN-ISO-14581 M6 x 25 - 8.8 - A3T
d	207 330 200	4	Washer, DIN 125-B6, 4 St. A3T
10.1	1 081 975	2	Calf belt bracket
10.2	1 081 941	2	Socket insert tube
10.3	1 059 581	1	ANTI-SLIP COATING L=165MM W=100MM
10.3	1 083 692	2	Anti-slip coating L=285, W=35 mm
10.4	1 059 582	2	ANTI-SLIP COATING L=155MM W=100MM
10.4	1 083 693	1	Anti-slip coating L=275, W=20 mm
10.5	1 083 667	2	Insert tube (black anodised)
10.7	1 068 589	2	Clamping bracket black anod.
10.8	205 027 100	2	Plastic slide GL 18 black
-	5 006 760	1	Calf belt (please note SW and type of frame)

->Attention! When ordering this item number, the following details must be noted: 1. Seat width 2. with or w/o frame reduction

Sub Unit: Code 312; Sports leg support with footplate and rubber overlay

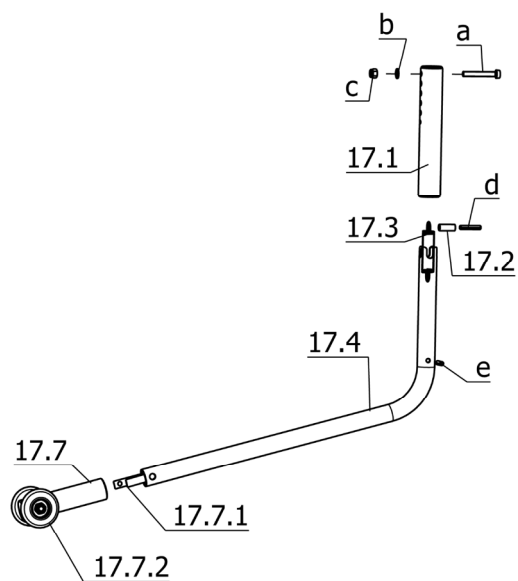
Item	Article-No:	Pc	Description
Code 4959; without frame reduction			
10	1 083 680	1	Leg support assy Code 30/32-312-4950
10.6	1 083 674	1	Foot plate for Code 312
10	1 083 681	1	Leg support assy Code 34/36-312-4950
10.6	1 083 675	1	Foot plate for Code 312
10	1 083 682	1	Leg support assy Code 38/40-312-4950
10.6	1 083 676	1	Foot plate for Code 312
10	1 083 683	1	Leg support assy Code 342/344-312-4950
10.6	1 083 677	1	Foot plate for Code 312
10	1 083 684	1	Leg support assy Code 46/48-312-4950
10.6	1 083 678	1	Foot plate for Code 312
10	1 083 685	1	Leg support assy Code 350-312-4950
10.6	1 083 679	1	Foot plate for Code 312

Sub Unit: Code 312; Sports leg support with footplate and rubber overlay

Item	Article-No:	Pc	Description
Code 312-4959; Sport-type leg support footplate and rubber overlay – without frame reduction			
10	1 084 085	1	Leg support assy Code 30/32-312-4959
10.6	1 083 675	1	Foot plate for Code 312
10	1 084 087	1	Leg support assy Code 34/36-312-4959
10.6	1 083 676	1	Foot plate for Code 312
10	1 084 089	1	Leg support assy Code 38/40-312-4959
10.6	1 083 677	1	Foot plate for Code 312
10	1 084 091	1	Leg support assy Code 342/344-312-4959
10.6	1 083 678	1	Foot plate for Code 312
10	1 084 093	1	Leg support assy Code 46/48/350-312-4959
10.6	1 083 679	1	Foot plate for Code 312

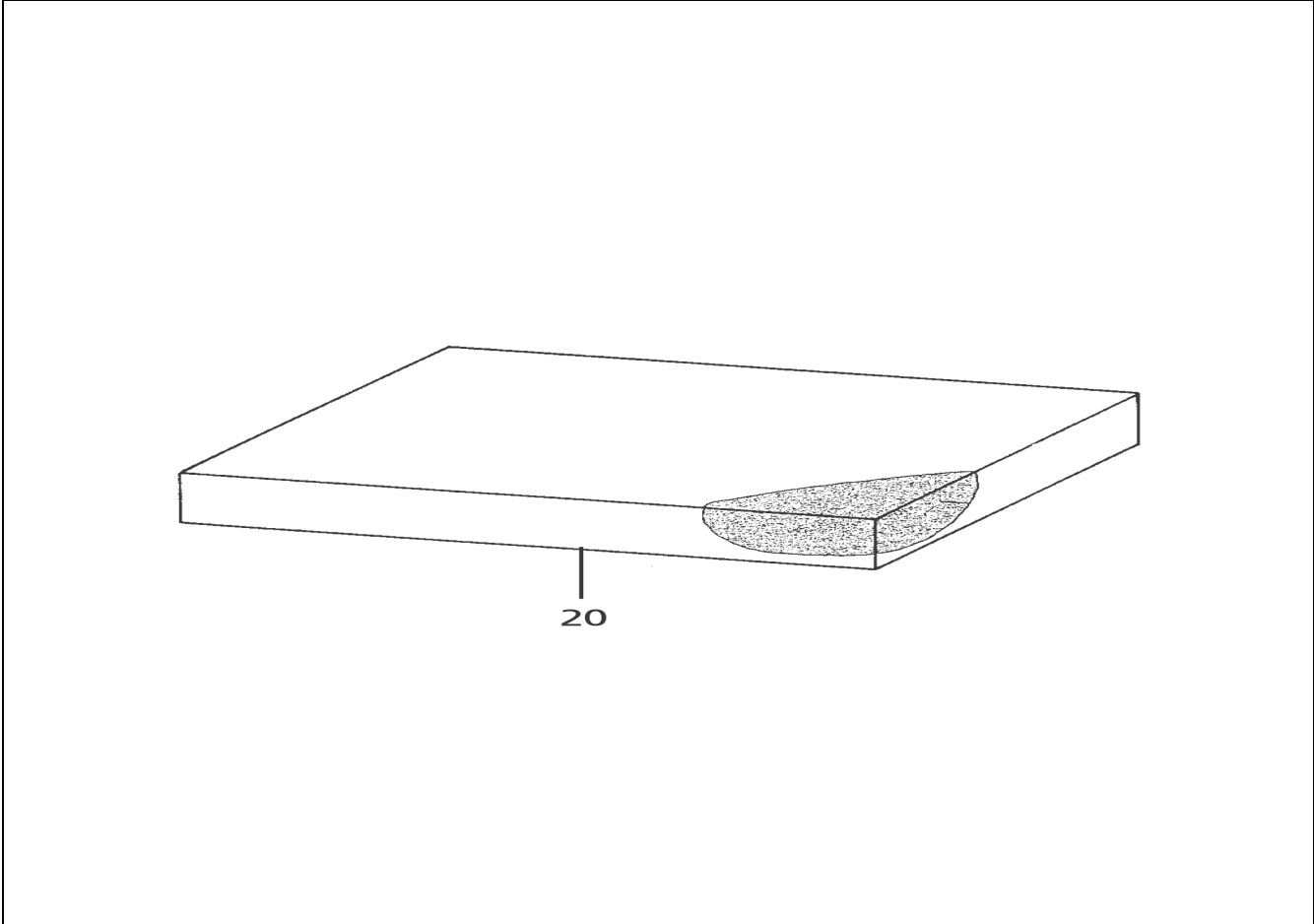
Nano / a

Component unit: Support wheels



Sub Unit: Code 728; Swivel-away support castor

Item	Article-No:	Pc	Description
17	1 083 773	1	Support castor asmb. 1 piece Code 728/729/730
17.1	1 083 771	1	Guide tube
17.2	1 044 979	1	Bush sleeve spring mount
17.3	206 309 100	1	Tension spring Z-100 J
17.4	1 083 772	1	Swivel tube
17.7	1 042 485	1	Adjusting tube assembled
17.7.1	1 040 688	1	Snap spring
17.7.2	205 209 606	2	Wheel, 40 mm, black
a	207 061 800	1	Screw DIN-EN-ISO-14580 M5 x 35 - 8.8 - A3T
b	207 330 100	1	Washer DIN 125-B5,3 St A3T
c	207 322 700	1	hexagon nut M 5 A3T 377309/409193
d	207 914 800	1	Dowel pin DIN 1481 4x22
e	207 049 000	1	Dowel pin DIN 1481 4x18



SD=Seat depth
SW=Seat width


		SW 32	SW 34	SW 36	SW 38	SW 40	SW 42	SW 44	SW 46	SW 48	SW 50	SW 53
SD 38	3 cm	1045461	1046374	1046374	1046377	1046377	1006685	1006685	1006705	1046378	1046378	1049053
SD 38	6 cm	1046796	1046799	1046799	1046802	1046802	1007054	1007054	1007074	1046803	1046803	1049058
SD 40	3 cm	1045461	1046374	1046374	1046377	1046377	1006685	1006685	1006705	1046378	1046378	1049053
SD 40	6 cm	1046796	1046799	1046799	1046802	1046802	1007054	1007054	1007074	1046803	1046803	1049058
SD 42	3 cm	1045462	1046375	1046375	1006685	1006685	1006825	1006825	1015928	1046382	1046382	1049054
SD 42	6 cm	1046797	1046808	1046808	1007054	1007054	1007274	1007274	1016083	1046805	1046805	1049059
SD 44	3 cm	1045462	1046375	1046375	1006685	1006685	1006825	1006825	1015928	1046382	1046382	1049054
SD 44	6 cm	1046797	1046808	1046808	1007054	1007054	1007274	1007274	1016083	1046805	1046805	1049059
SD 46	3 cm	1061682	1046376	1046376	1006705	1006705	1015928	1015928	1015929	1046381	1046381	1049055
SD 46	6 cm	1061916	1046801	1046801	1007074	1007074	1016083	1016083	1016084	1046806	1046806	1049060
SD 48	3 cm	1061682	1046379	1046379	1046378	1046378	1046382	1046382	1046381	1046380	1046380	1049051
SD 48	6 cm	1061916	1046804	1046804	1046803	1046803	1046805	1046805	1046806	1046807	1046807	1049052
SD 50	3 cm	-	1046379	1046379	1046378	1046378	1046382	1046382	1046381	1046380	1046380	1049051
SD 50	6 cm	-	1046804	1046804	1046803	1046803	1046805	1046805	1046806	1046807	1046807	1049052


Nano / a
Component unit: Accessories**Sub Unit: Accessories**


Item	Article-No:	Pc	Description
			Code 911; Special pump for wheelchairs with indoor-sports wheels
-	205 542 100	1	Manually-operated compressor, code 911
			Code 951; Accessory net
-	205 538 400	1	Hospital chair net Code 951
			Code 970; Walking stick holder
-	1 063 168	1	Cane holder cpl. -refit kit (clips screw set) 0684

Nano / a
Notes

MEYRA GmbH

 Meyra-Ring 2
D-32689 Kalletal-Kalldorf

 Tel +49 5733 922 - 311
Fax +49 5733 922 - 9311

 info@meyra.de

www.meyra.de
