

**EUROCHAIR<sup>2</sup>**



## **SPARE PART LIST**

**EUROCHAIR 2 2.750**

**Model 2.750**

**GB**

**MEYRA<sup>®</sup>**



## EUROCHAIR 2 2.750 / b

### Table of contents

<b>Introduction</b>	4
<b>Order specimen</b>	5
<b>01 Frame</b>	
-Code 352; Frame length medium (D)	6
<b>05 Pressure Brake</b>	
-Code 305; Pressure brake fixed	7
<b>06 Chassis</b>	
-Code 174; Angle adjustable steering forg, long, fork width 45.7mm 3 positions	8
-Steering wheels	8
-Code 651; detachable wheels with pressure brake	9
-Code 706; Drum brakes for detachable wheels, 2 levers for attendant	9
<b>07 Back support</b>	
-Code 622; Back with lumbar support	11
<b>08 Seat</b>	
-Seat straps	12
<b>09 Arm support</b>	
-Code 107; Arm support long, swivell-away, height adj., removable	13
<b>10 Leg supports</b>	
-Code 808; Foot plates angle adjustable	14
-Code 93; Removable leg supports, swivell-away	14
<b>12 Cross braces</b>	
-Cross braces	15
<b>17 Support wheels</b>	
-Code 691; Stick-in support wheels	16
<b>20 Seat cushion</b>	
-Seat cushion	17
<b>Accessories</b>	
-Accessories	18

Exact specifications are required for your spare parts' orders. Only then we can guarantee that you will receive the correct spare part. All MEYRA GmbH -wheelchairs are manufactured according MEYRA GmbH -component group system.

## Assembly group outline

Component unit 01: Frame	Component unit 12: Crossbrace
Component unit 03: Steering	Component unit 15: Electrical system
Component unit 04: Drive	Component unit 16: Working table
Component unit 05: Pressure Brake	Component unit 17: Support wheels
Component unit 06: Chassis	Component unit 20: Seat cushion
Component unit 07: Backrest	Component unit 24: Other Codes
Component unit 08: Seat	Component unit 26: Revetment
Component unit 09: Armrest	Component unit 98: Accessories and small parts
Component unit 10: Leg support	Component unit 99: Circuit diagrams

The index lists different versions of an assembly group, therefore you will find the spare part you are searching for quickly and precisely.

### Note:

The assembly group outline also includes assemblies that do not apply to your model.

## Liability/ guarantee for foreign products

Do not use any foreign products as spare parts or accessories for MEYRA GmbH -Wheelchairs. Foreign products may affect the operational reliability of the wheelchair, even if the foreign products have not been tested by TÜV or another official authority (General Type Approval). The scope of testing may not always be comprehensive enough.

**MEYRA GmbH does not accept any liability or guarantee for foreign products used as spare parts or accessories as well as for damages and accidents caused by exchange or installation of such parts.**

## Safety instructions for the use of spare parts

- When exchanging parts only use components corresponding to the wheelchair model and Code number.
- Please check after receipt if the spare part received is the same you ordered!
- Only authorized dealers or specialized workshops are allowed to carry out repairs on the wheelchair.
- Please take a test drive after repair of the wheelchair. Pay attention to unusual noises and check:
  - Braking ability
  - Steering ability
  - the straight running.

## Abbreviations used

In the bills of material you will find following abbreviations:

AT means exchange components

The parts (articles or standard parts) marked with a letter can be reused after inspection!

## Special features

Position numbers marked with a letter refer to parts not represented (e.g. for the opposite side).

<b>EUROCHAIR 2 2.750 / b</b> <b>Order specimen</b>
---

## Order specimen

To establish your order examples please proceed as follows.

1. **Type/Model**  
Please take the type number from the instruction manual, the delivery note or the type plate.
2. **Manufacturing year and vehicle ID no.**  
Read off the year of construction and the vehicle identification number from the type plate, e.g.:  
**Year of construction: 97/12**  
**Vehicle ID No. (Fz-I-Nr.): 5678901**
3. **Component unit**  
Allocate the defective part to an assembly group (see assembly group outline).
4. **Code-No.:**  
Compare the code numbers of delivery note with the Code list of the corresponding assembly group. Code-No.: 626 backrest height 30cm
5. **Look up representation of the assembly group chosen with corresponding Code No.**  
The page where you can find the required representation and bills of material is indicated in the table of contents after the code number.
6. **Article-No:**  
A position number is indicated on the spare part that is to be ordered enabling you to read off the corresponding article number from the bill of material.
7. **Determine the quantity**  
Determine number of component units to be replaced.  
**Remark:**  
The number of pieces indicated in the bills of material correspond to the number of component units used in the assembly group (left and right wheelchair side).
8. **Determine the description**  
Read off the corresponding designation from the bill of materials.
9. **Determine the colour**  
Please take the colour code from the delivery note.
10. **Spare parts order:**  
For a correct order please indicate all data.

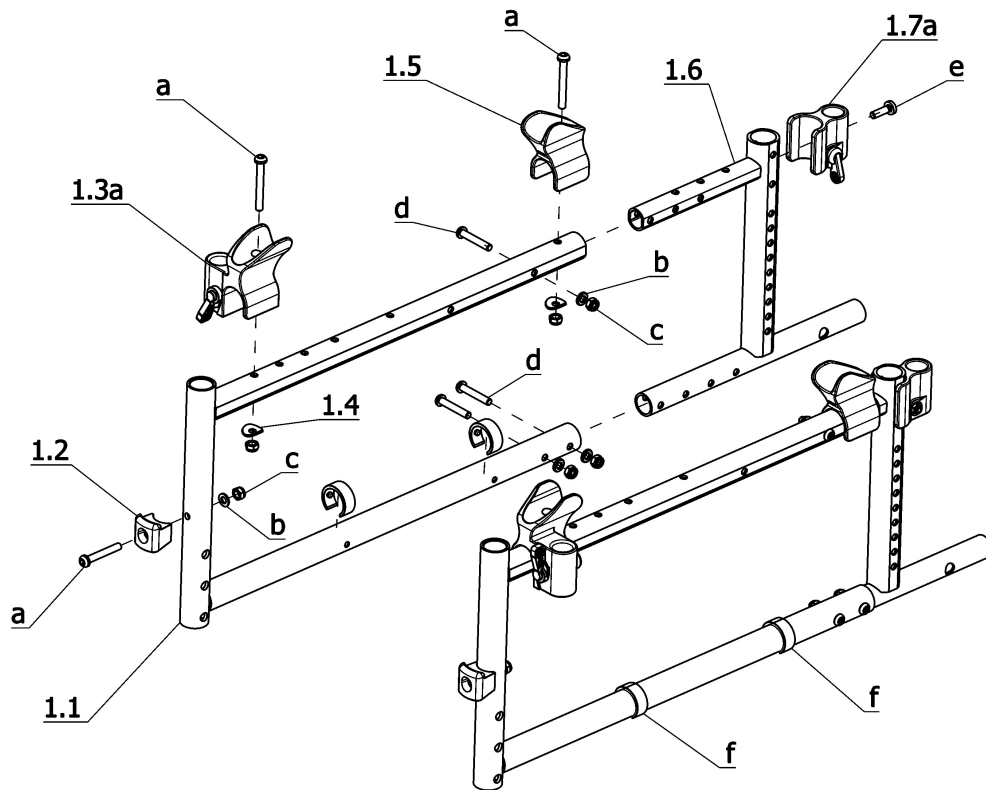
**Watch for the correct specifications on your order; Only then we can guarantee that you will receive the correct spare part.**

### Attention!

Subsequent changes to the wheelchair as well as arrangements with customers relating to the assembly group to be repaired have to be stated in your order.

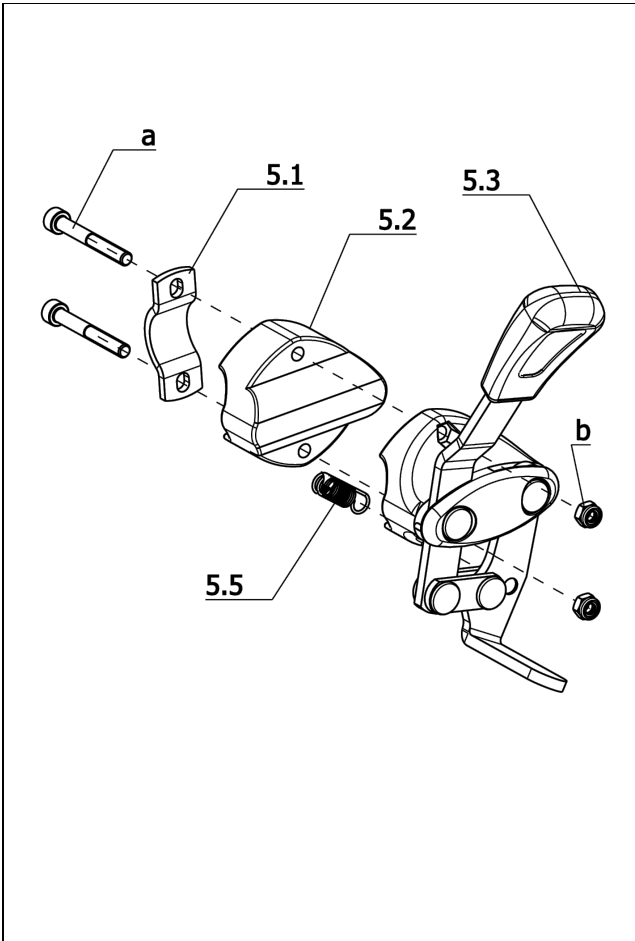
### Important information!

If any modifications have been made to the wheelchair, the specialized dealer is required to enclose the appropriate code no. as well as the date of the modifications, along with the operating instructions for the wheelchair. This ensures that no incorrect details will be given for future orders of spare parts. **Original- MEYRA GmbH -spare parts!**


**Sub Unit: Code 352; Frame length medium (D)**

Item	Article-No:	Pc	Description
1.1	1 071 938	2	Front frame code 352 (M8 connection frontfr.D=8.2)
1.2	205 214 306	2	Locking bolt mount
1.3	1 039 441	1	Locking device guide, left
1.3a	1 039 443	1	Locking device guide, right
1.4	1 044 522	4	Washer
1.5	205 213 106	2	Rear seat bearing
1.6	1 071 939	2	Rear frame
1.7	1 044 120	1	Bearing block, left, assembled
1.7a	1 044 121	1	Bearing block, right assembled
a	205 598 300	4	Fillister head screw M6x50
b	207 330 200	8	Washer, DIN 125-B6, 4 St. A3T
c	207 320 100	12	Locknut, DIN 980/8, M6, A3T
d	207 380 400	6	Fillister head screw DIN 7380 M 6x35-10, 9 A3T
e	207 602 900	2	Tapping screw DIN 7516 M6x20
f	205 214 906	4	Crossbrace fixing

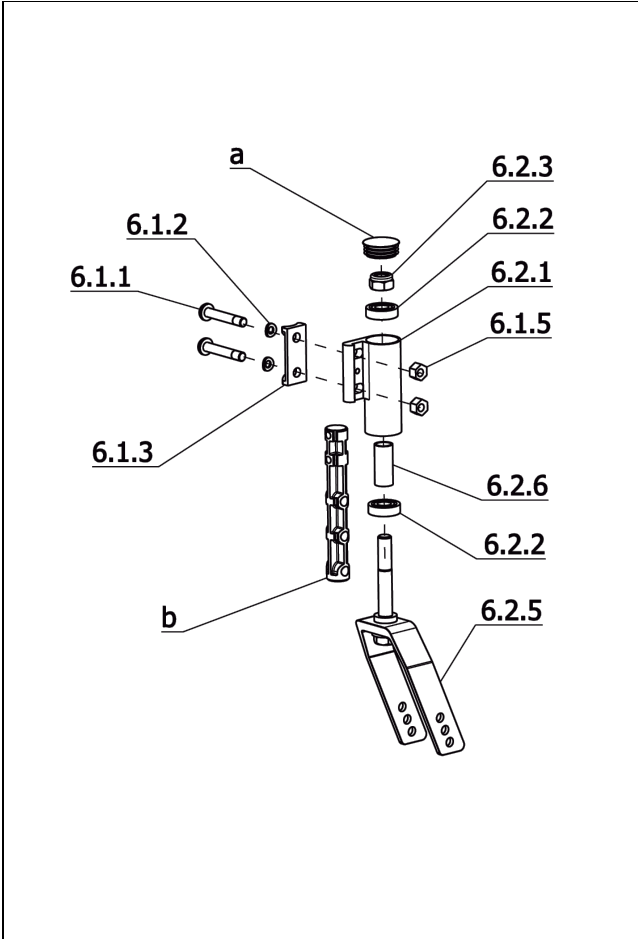
**EUROCHAIR 2 2.750 / b**  
**Component unit: Pressure Brake**



**Sub Unit: Code 305; Pressure brake fixed**

Item	Article-No:	Pc	Description
5	1 056 791	1	Brake right asmb.
5a	1 056 790	1	Brake left asmb.
5.1	1 068 130	2	Tube clamp for pressure brake Tightened for tube D=25 mm
5.2	1 067 464	2	Adapter pressure brake (with Code 35)
5.3	1 052 924	2	Brake handle
5.5	206 300 000	2	Tension spring
a	207 302 500	4	Cheese head screw,M5x45, DIN912/8.8, black
b	207 322 000	4	Locknut,DIN 980/8,M5

**EUROCHAIR 2 2.750 / b**  
**Component unit: Chassis**



**Sub Unit: Code 174; Angle adjustable steering forg, long, fork width 45.7mm 3 positions**

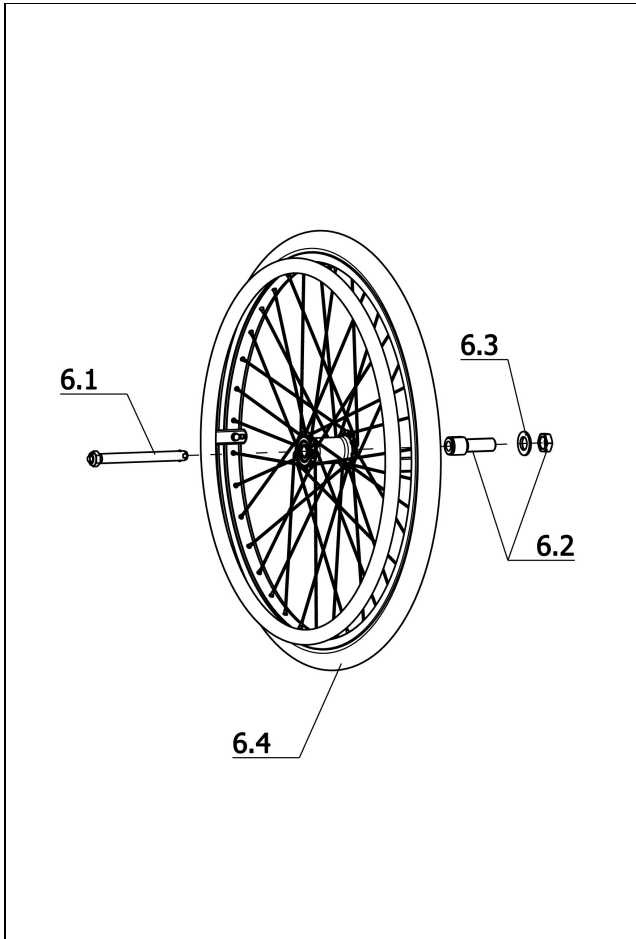
Item	Article-No:	Pc	Description
6.2	1 071 949	1	Steering fork left asmb C 174
6.2a	1 071 950	1	Steering fork right asmb C 174
6.2.5	1 071 951	2	Wheel fork for Code 174 (pre-asmb. FW 46 - 3 hole)
6.2.1	1 062 065	1	Castor stem left with bearings (M8 attachment)
6.2.1a	1 062 064	1	Castor stem right with bearings (M8 attachment)
6.1.1	1 076 649	4	Filister head screw M8x47 (special screw)
6.1.2	1 076 648	2	Washer B=8.4 (corrugate washer)
6.1.3	1 071 955	2	Distancer profile
6.1.5	1 062 070	4	Eccentric nut M8
6.2.2	206 502 900	4	Deep groove ball bearing DIN 625
6.2.3	207 322 200	2	Locknut DIN 980/8 M12x1,5-5 A3T
6.2.6	1 032 458	2	Distance tube
a	205 048 500	2	Plastic slide SFL 32 black
b	1 072 925	1	Reinforcement bolt D=19.8 mm L=138.5mm for M8 connection

**Sub Unit: Steering wheels**

Item	Article-No:	Pc	Description
-	209 005 300	2	Steering wheel screw,8x51,5
-	209 005 400	2	Filister flat head screw, M6x12
<b>Code 161; Steering wheel 175x36 PU-foam</b>			
6.3	206 131 100	2	"Steering wheel 7x1 3/4"" PU" Code 161 (175x40) HL 45mm

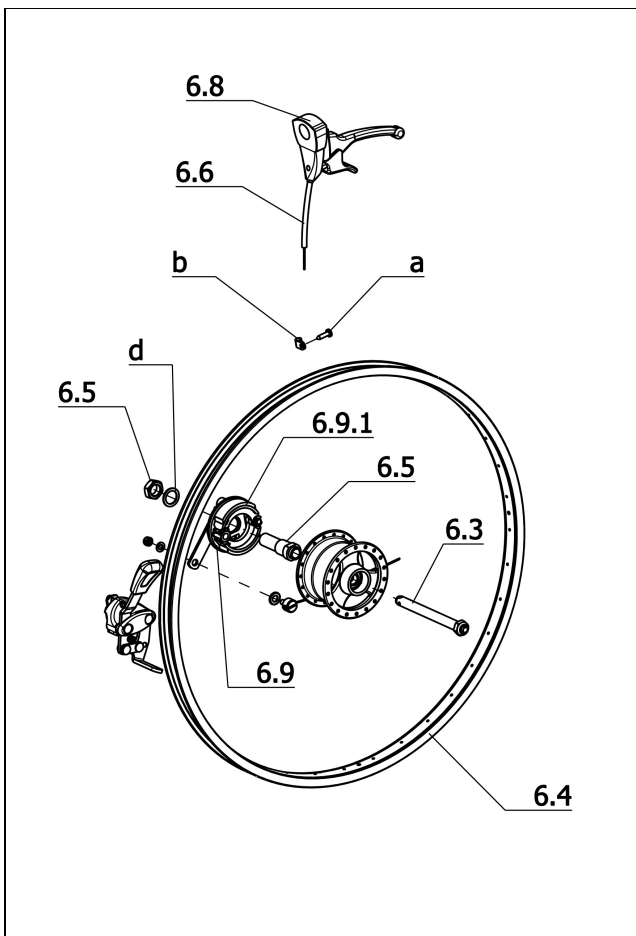


**EUROCHAIR 2 2.750 / b**  
**Component unit: Chassis**



**Sub Unit: Code 651; detachable wheels with pressure brake**

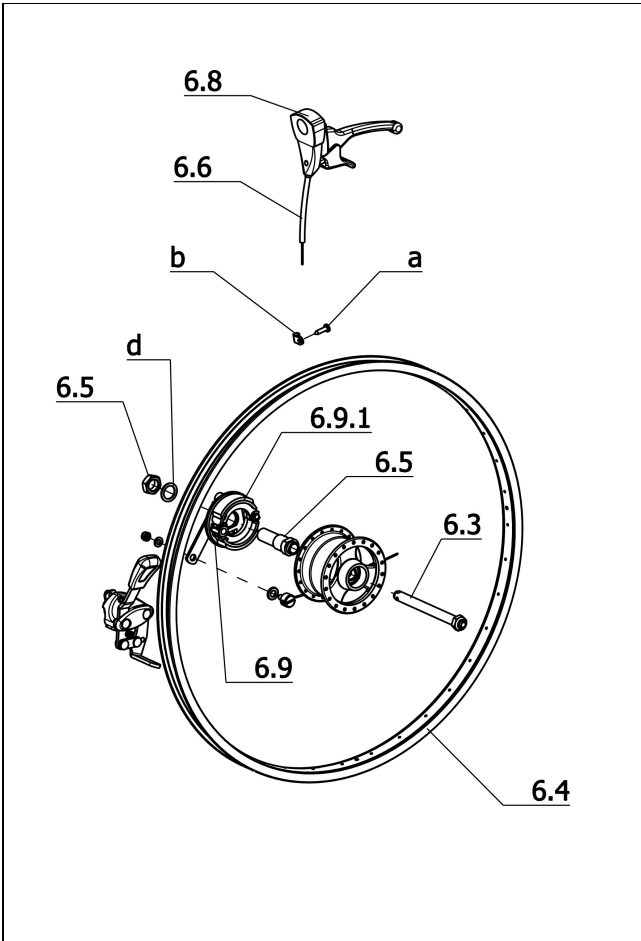
Item	Article-No:	Pc	Description
6.1	206 227 710	2	Floating axle with copunternut
6.2	206 227 720	2	Adapter with hexagon nut
6.3	207 330 700	2	Washer B17 DIN125
-	1 076 409	1	Wheel adapter, right Pressure Brake
-	1 076 408	1	Wheel adapter, left Pressure Brake
-	205 597 600	4	Filister head screw, M6x45, 10.9 A3T
-	207 330 200	4	Washer, DIN 125-B6, 4 St. A3T
-	207 320 100	4	Locknut, DIN 980/8, M6, A3T
<b>Wheel size 24"</b>			
6.4	1 076 053	2	"Drive wheel 24x1 3/8" PU-tyr Handrim aluminium
-	5 006 664	1	Handrim wiith connector (aluminium)
-	206 118 902	1	Tyres 24 x 1 3/8", grey



**Sub Unit: Code 706; Drum brakes for detachable wheels, 2 levers for attendant**

Item	Article-No:	Pc	Description
6.3	206 226 530	2	Floating axle
6.9	5 005 538	1	Brake guard, right, assembled
6.9a	5 005 539	1	Brake guard, left, assembled
6.9.1	205 903 300	2	Brake blocks w.tension spring F.br.shields w.out quick-fast.
6.9.1	205 903 400	2	Brake cam with quick-release (for version 2 205903300)
6.6	206 662 100	2	Bowden cable, complete
6.5	206 227 500	2	Adapter with hexagon nut
6.8	8 401 828	2	Operating lever with detent pawl
a	207 300 300	2	Filister head tapping screw, DIN 7981-B4, 8x19-St A3T, black
b	205 017 300	2	Fastening clamp
d	205 592 100	2	Locking washer, M 16
-	207 330 100	2	Washer DIN 125-B5, 3 St A3T
-	207 320 100	2	Locknut, DIN 980/8, M6, A3T

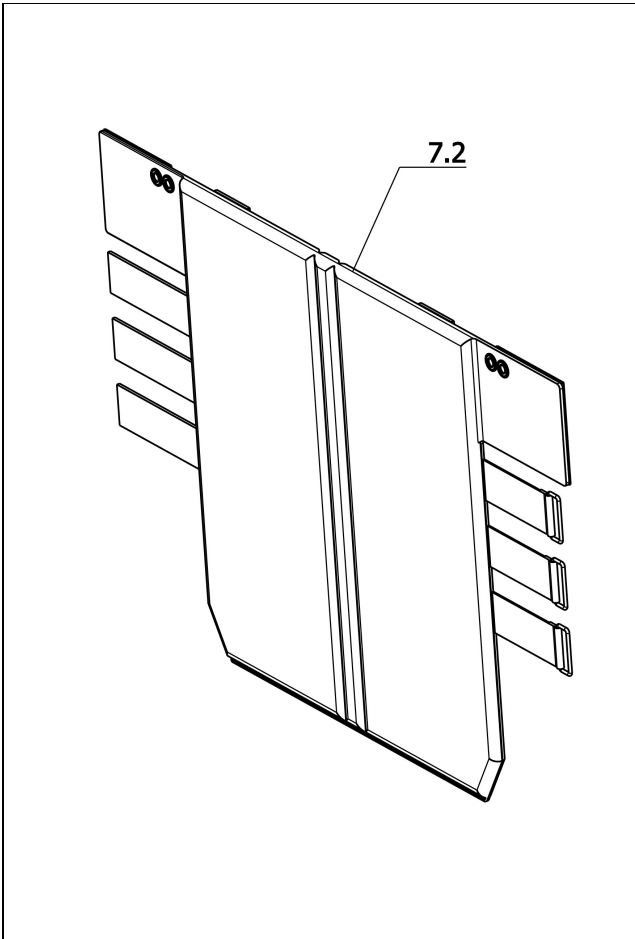
**EUROCHAIR 2 2.750 / b**  
**Component unit: Chassis**



**Sub Unit: Code 706; Drum brakes for detachable wheels, 2 levers for attendant**

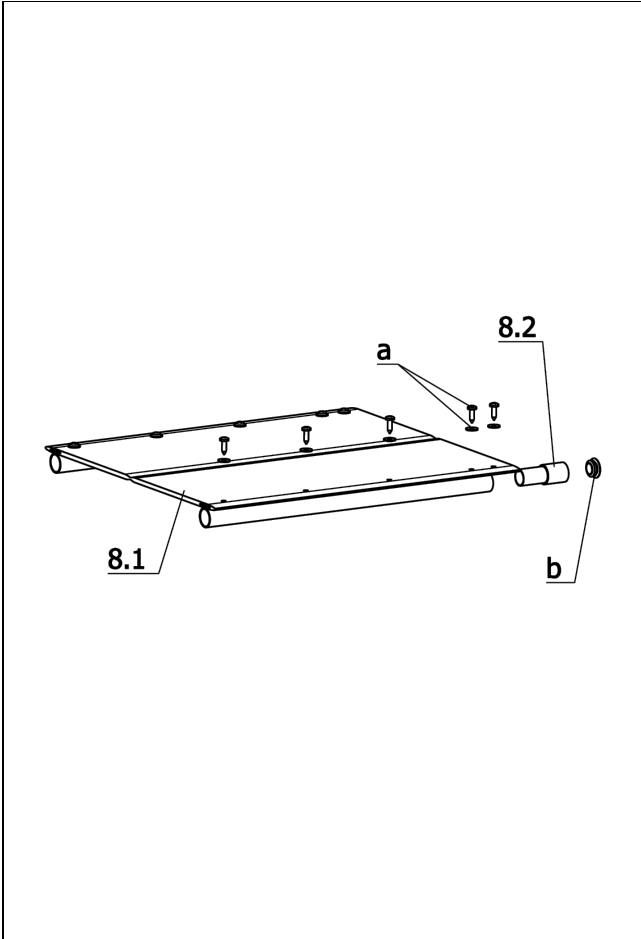
Item	Article-No:	Pc	Description
-	207 330 200	2	Washer, DIN 125-B6,4 St. A3T
-	205 528 900	2	Spring stop hexagon nut, M6, NO.SSN.003
-	207 580 000	4	Countersunk head screw DIN 965 M 5x8-4,8
-	207 330 300	2	Washer DIN 125 - B8,4 ST A3T
-	1 062 218	2	Counter bracket (bushing) "D=16.1
-	5 006 690	1	Refit kit to Code 706 (note wheels separately !!!)
-	1 078 481	1	Wheeladapter drumbrake
-	205 597 600	4	Filister head screw, M6x45, 10.9 A3T
-	207 330 200	4	Washer, DIN 125-B6,4 St. A3T
-	207 320 100	4	Locknut, DIN 980/8, M6, A3T
<b>Wheel size 24"</b>			
6.4	1 076 652	2	"Drive wheel 24x1 3/8"" PU-tyr "drum brake; handrim aluminium
-	5 006 664	1	Handrim with connector (aluminium)
-	206 118 902	1	Tyres 24 x 1 3/8", grey

**EUROCHAIR 2 2.750 / b**  
**Component unit: Back support**

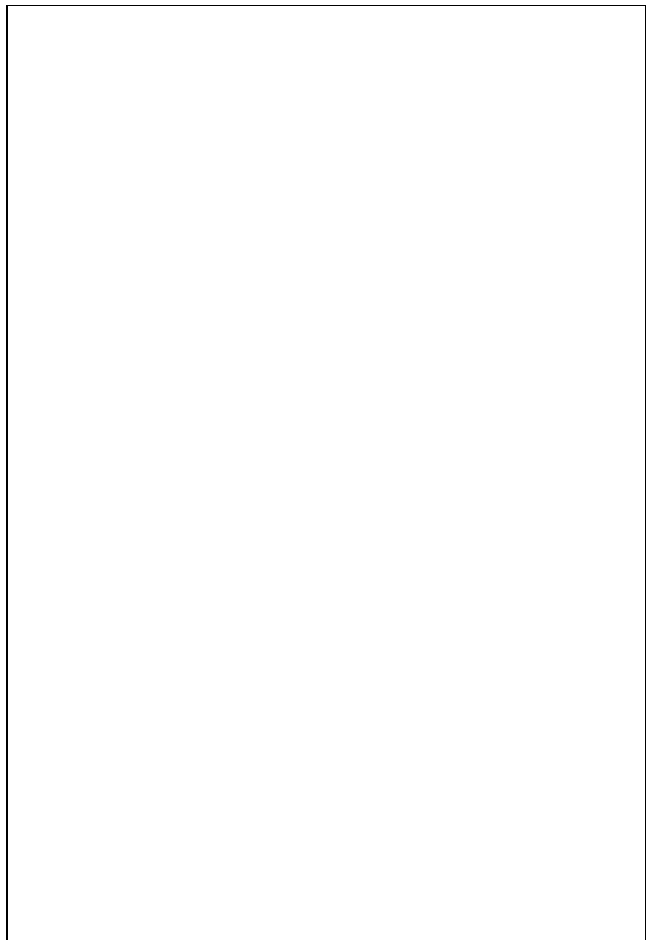
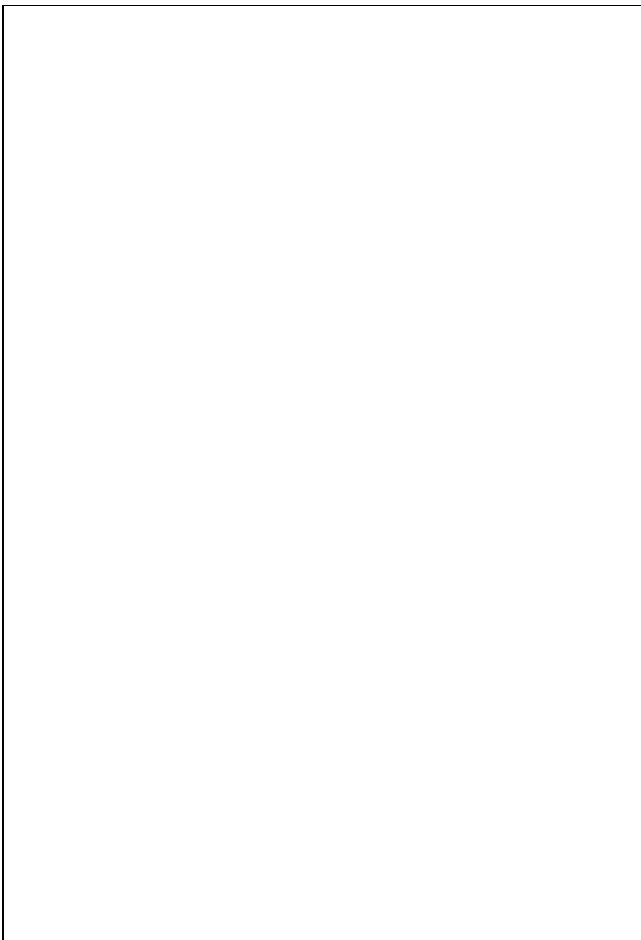


**Sub Unit: Code 622; Back with lumbar support**

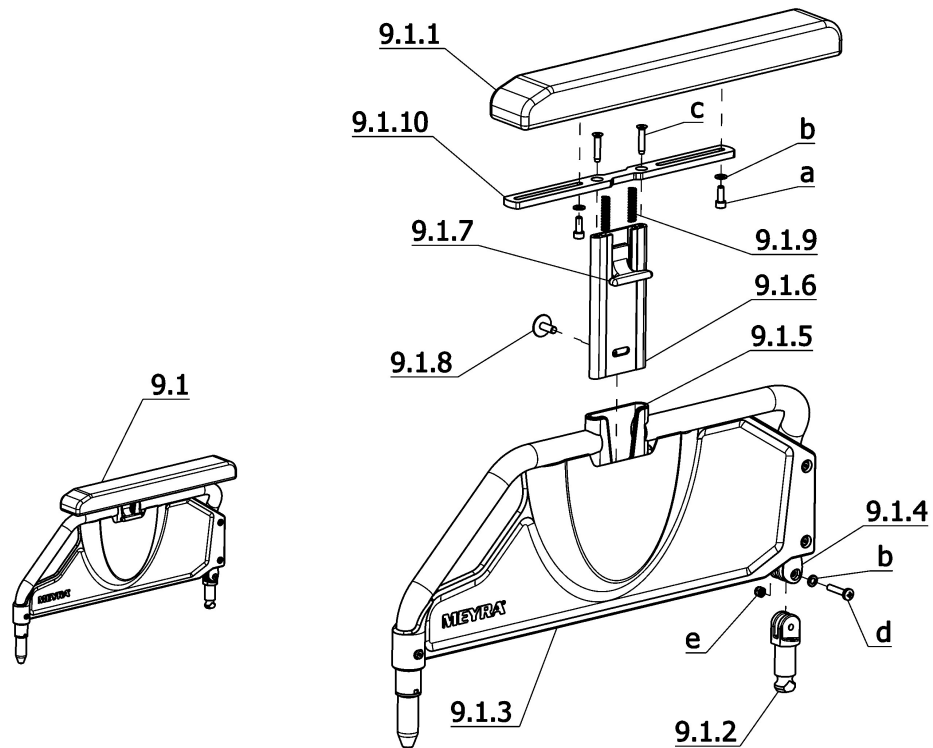
Item	Article-No:	Pc	Description
-	1 069 877	2	Backrest tube Code 622
-	1 061 553	2	Handgrip for tube D=22 mm L=108 mm - one side open
-	1 077 964	2	Side element bracket black PA 6 RAL 9005
-	207 317 500	2	Filister head tapping screw, DIN 7981, B 4,8x22
-	207 061 000	2	SCHRAUBE DIN-EN-ISO-7085 M6x20 - St A3K - CE
<b>Code 38; Seat width 38cm</b>			
7.2	1 071 440	1	Back support belt Code 38-628
<b>Code 40; Seat width 40cm</b>			
7.2	1 071 441	1	Back support belt Code 40-628
<b>Code 43; Seat width 43cm</b>			
7.2	1 070 599	1	Back support belt Code 43-628
<b>Code 46; Seat width 46cm</b>			
7.2	1 071 442	1	Back support belt Code 46-628
<b>Code 48; Seat width 48cm</b>			
7.2	1 071 443	1	Back support belt Code 48-628
<b>Code 50; Seat width 50cm</b>			
7.2	1 072 544	1	Back support belt Code 350-628
<b>Code 53; Seat width 53cm</b>			
7.2	1 072 545	1	Back support belt Code 53-628



Sub Unit: Seat straps			
Item	Article-No:	Pc	Description
a	5 006 663	10	Universal screw set Seat belt
<b>Code 615; seatbelt depth 40cm</b>			
8.1	1 068 147	1	Seat belt Code 35-38-615 4005
8.1	1 068 148	1	Seat belt Code 35-40-615 4006
8.1	1 068 149	1	Seat belt Code 35-43-615 4007
8.1	1 068 149	1	Seat belt Code 35-43-615 4007
8.1	1 068 150	1	Seat belt Code 35-46-615 4008
8.1	1 068 151	1	Seat belt Code 35-48-615 4009
8.1	1 076 910	1	Seat belt Code 350-615
8.1	1 076 911	1	Seat belt Code 53-615
<b>Code 619; seatbelt depth 46cm</b>			
<b>Seat straps incl. attachment sets for seat strap depth 46 cm are only available through our volume assortment.</b>			
8.1	1 068 152	1	Seat belt Code 35-38-619
8.1	1 068 153	1	Seat belt Code 35-40-619
8.1	1 068 154	1	Seat belt Code 35-43-619
8.1	1 068 155	1	Seat belt Code 35-46-619
8.1	1 068 156	1	Seat belt Code 35-48-619
8.1	1 077 995	1	Seat belt Code 350-619
8.1	1 077 996	1	Seat belt Code 53-619
8.2	1 076 678	2	Seat tube extension with Code (only with 2.750/2.850)
b	1 051 059	2	Plastic glider



**EUROCHAIR 2 2.750 / b**  
**Component unit: Arm support**



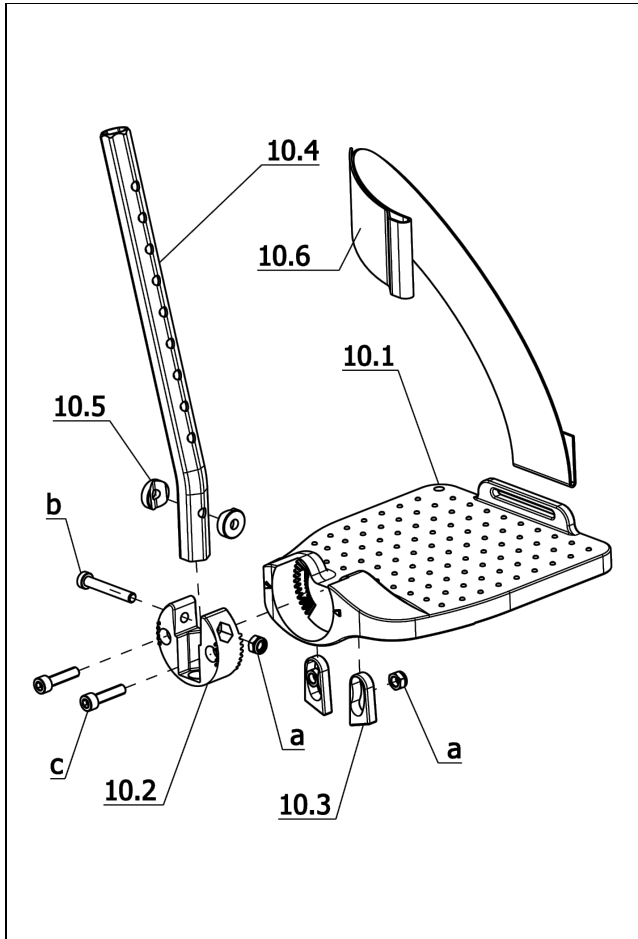
**Sub Unit: Code 107; Arm support long, swivell-away, height adj., removable**

Item	Article-No:	Pc	Description
9.1	1 069 868	1	Arm support left asmb Code 107
9.1a	1 069 869	1	Arm support right asmb Code 107
9.1.1	1 069 867	1	Arm support cushion left "(L=357.5mm;W=58mm;H=35mm)"
9.1.1a	1 069 876	1	Arm support cushion right "(L=357.5mm;W=58mm;H=35mm)"
9.1.2	205 221 906	2	Fork mount, bottom
9.1.3	1 069 854	1	Armrest inlay left (Plastic black)
9.1.3a	1 069 855	1	Armrest inlay right (Plastic black)
9.1.4	1 069 870	2	Fork bearing top
9.1.5	1 069 861	2	Bearing shell (for latching mechanism)
9.1.6	1 069 864	2	Insert tube (for latching mechanism)
9.1.7	1 069 862	2	Release lever
9.1.8	1 069 866	2	Pin (T-form)
9.1.9	206 321 200	2	Pressure spring D-131 V "DM=6.3 ; D=0.8 ; LO=33"
9.1.10	1 069 865	2	Upholstery tin (2 longholes)

**Sub Unit: Code 107; Arm support long, swivell-away, height adj., removable**

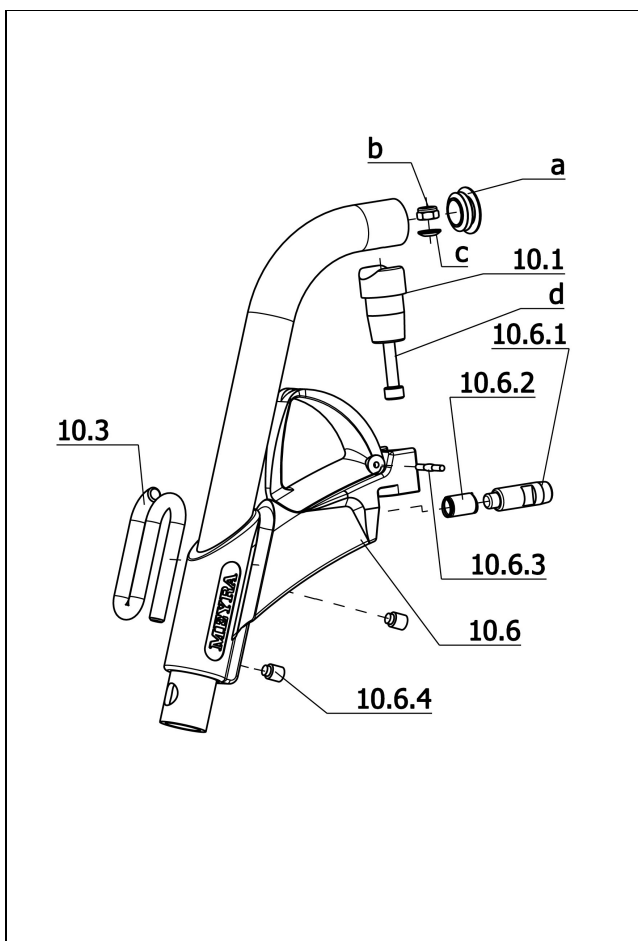
Item	Article-No:	Pc	Description
a	207 192 500	4	CYLINDER SCREW M 5 X 14 8.8 034165*
b	207 330 100	6	Washer DIN 125-B5,3 St A3T
c	207 650 600	4	SCREW DIN7500 NE M5X25Z ST A3T
d	207 341 300	2	Filister head screw DIN7985 M5x25 4.8 A3T
e	207 322 000	2	Locknut,DIN 980/8,M5
-	205 571 600	4	POP blind rivet D: 4x22,5
-	205 515 400	6	POP blind rivet, No. 307472

**EUROCHAIR 2 2.750 / b**  
**Component unit: Leg supports**



**Sub Unit: Code 808; Foot plates angle adjustable**

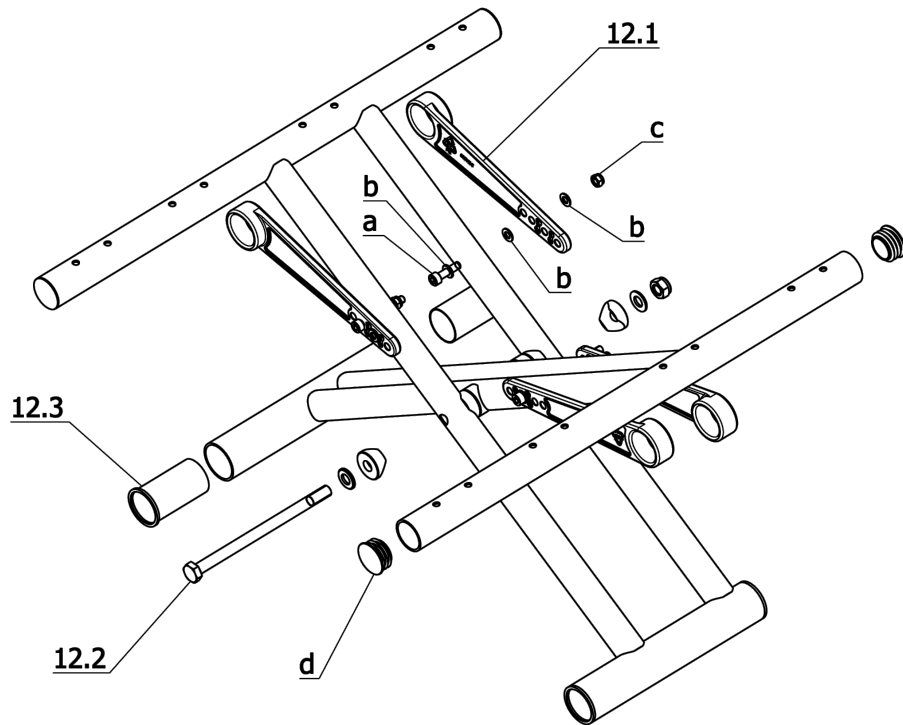
Item	Article-No:	Pc	Description
10	1 075 652	1	Lower leg support Code 808 left angle adjustable
10a	1 075 651	1	Lower leg support Code 808 right angle adjustable
10.1	1 075 648	1	Foot board left
10.1a	1 075 647	1	Foot board right
10.2	1 075 649	2	Adjustment unit
10.3	1 075 650	4	Guide (Footboard/adj. unit)
10.4	1 059 643	2	Insert tube (for code 128)
10.5	1 058 905	4	Joint washer
10.6	1 073 066	1	Calf belt
a	207 320 100	6	Locknut, DIN 980/8, M6, A3T
b	207 352 300	2	Cylinder screw M 6 X 40 DIN 7984 8.8 A3T
c	207 126 000	4	Cheese head screw, M6x25, DIN912 -8.8 M VC



**Sub Unit: Code 93; Removable leg supports, swivel-away**

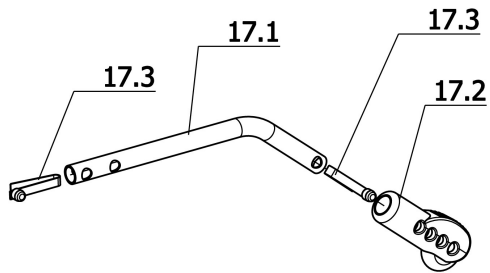
Item	Article-No:	Pc	Description
10	10 442 674 919	1	Upper leg supports left asmb. colour 4919 - silverline
10a	10 442 664 919	1	Upper leg supports right asmb. colour 4919 - silverline
10.1	1 042 609	2	Bearing journal
10.3	1 039 515	2	Calf belt pin
10.6	1 039 505	2	Leg support holder complete
10.6.1	205 214 406	2	Locking screw
10.6.2	206 323 000	2	Compression spring, D-151 A
10.6.3	207 907 500	2	Center grooved dowel pin DIN 1475 3x24
10.6.4	207 252 600	4	Threaded pin, M8x10, DIN915 -> Tighten with 10Nm during assembly
a	1 051 059	2	Plastic glider
b	207 320 100	4	Locknut, DIN 980/8, M6, A3T
c	207 881 000	2	Spherical disc DIN 6319 C6.4
d	207 350 800	2	Cheese head screw M6x35 DIN798 4 - 8.8 A3T
-	207 626 600	2	Filister head screw, DIN 7985
-	207 330 200	2	Washer, DIN 125-B6, 4 St. A3T

**EUROCHAIR 2 2.750 / b**  
**Component unit: Cross braces**



**Sub Unit: Cross braces**

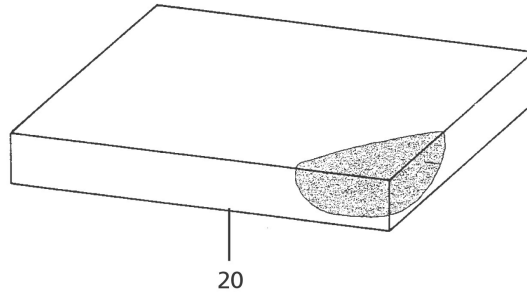
Item	Article-No:	Pc	Description
12.1	1 076 653	4	Cross brace SW 38-46
12.1	1 076 654	4	Cross brace SW 48-53
12.1	1 059 895	2	Cross brace for SW 56 to 60
12.2	5 005 574	1	Crossbrace screw connection complete
12.3	205 215 006	4	Bush/sleeve
a	207 301 600	2	Cheese head screw DIN 912/8.8 M5x40
–	207 039 500	1	Cylinder screw M 5 X 75 DIN-EN-ISO-4762 8.8 A
b	207 330 100	10	Washer DIN 125-B5,3 St A3T
c	207 322 000	3	Locknut,DIN 980/8,M5
d	8 012 351	4	LAMELLA PLUG, BLACK SFL 25 FOR TUBE 25/20-22
12	1 076 062	1	Cross brace asmb. SW 38
12	1 076 061	1	Cross brace asmb. SW 40
12	1 076 063	1	Cross brace asmb. SW 43
12	1 076 064	1	Cross brace asmb. SW 46
12	1 076 065	1	Cross brace asmb. SW 48
12	1 076 638	1	Cross brace asmb. SW 50
12	1 076 639	1	Cross brace asmb. SW 53

**EUROCHAIR 2 2.750 / b**  
**Component unit: Support wheels****Sub Unit: Code 691; Stick-in support wheels**

Item	Article-No:	Pc	Description
-	1 076 915	1	Support wheels Code 691 - 1 pair
17	1 076 914	2	Support castors asmb. (piece)
17.1	1 076 913	2	Support tube
17.2	1 062 706	2	Support bit (f tube D=17.0 mm)
17.3	1 040 688	4	Snap spring
-	1 064 313	1	Pedal cap perforated



**EUROCHAIR 2 2.750 / b**  
**Component unit: Seat cushion**



**SD=Seat depth**  
**SW=Seat width**

		SW 38	SW 40	SW 43	SW 46	SW 48	SW 50	SW 53
SD 43	5 cm	1076657	1076658	1076659	1076660	1076661	1076662	1076663

**Sub Unit: Accessories**

<b>Item</b>	<b>Article-No:</b>	<b>Pc</b>	<b>Description</b>
			<b>Code 819; Reflectors</b>
-	1 071 956	1	Passive illumination (set)
-	206 961 500	2	Spoke reflector, No. 310
-	1 076 668	2	Rear light asmb.
			<b>Code 833; Safety belt</b>
-	1 077 436	1	Seatbelt with with fastener
			<b>Code 970; Walking stick holder</b>
-	1 077 320	1	Walking stick holder

**EUROCHAIR 2 2.750 / b**  
**Notes**



Your specialist dealer

MEYRA GmbH

Meyra-Ring 2 • D-32689 Kalletal-Kalldorf

P.O. Box 1703 • D-32591 Vlotho

**MEYRA**<sup>®</sup>

Fon +49(0)5733 922-333  
Fax +49(0)5733 922-9333  
info@meyra.de • www.meyra.de

VIS III / Order-No.: 205343001 Status date: 2015-04 Subject to technical modifications.

