

EUROCHAIR[®]
AVANTI



SPARE PART LIST

EUROCHAIR AVANTI

Model 1.736

GB

MEYRA[®]

ORTOPEDIA

We move people.

EUROCHAIR AVANTI / a

Table of contents

Introduction	5
Order specimen	6
01 Frame	
-Code 351/352/353; Frame	7
05 Pressure Brake	
-Pressure Brake	8
-Code 650; Pressure brakes (pair) one-side activation	9
-Code 681; Pressure brake with fold-away brake lever	10
06 Chassis	
Steering fork	
-Code 173; Angle adj. steering fork short fork width 45,7 mm	11
-Code 174; Angle adjustable steering forg, long, fork width 45.7mm 3 positions	11
-Code 174-353; Angle adjustable steering fork long, fork width 45.7 3 settings, frame length long (E)	12
-Code 418; Steering fork short	12
-Code 418-353; Short steering fork, frame length long (E)	13
-Code 4906; Refit kits - castor stem receptacles	13
Steering wheels	
-Code 143-481/143-174-900/154/162/325/645	14
Drive wheels	
-Drive wheels - tyre	15
-Handrims - Handrim covers	16
-Hand and spoke guard (incl. fixing material)	17
-Code 651; detachable wheels (quick-release axle)	17
-Driving wheel for pressure brake	18
-Driving wheel for drum brake	19
-Code 706; Drum brakes for detachable wheels, 2 levers for attendant	20
-Code 747; Shunting castors combined with removable wheels, without brakes	21
-Code 880; Wheelbase extension 4cm	21
-Code 907; Negative camber adjusting set	22
07 Back support	
-Pushing handle extensions	23
-Code 502; Height adjustable push handles	23
-Code 621; Back support without lumbar bend	24
-Code 502-621; Height adjustable push handles without lumbar support	24
-Code 622; Back with lumbar support	25
-Code 502-622; Height adjustable push handles with lumbar support	25
-Code 575; Adjustable back	26
-Back straps	26
-Code 814; Horizontal pushing rod	27
-Code 903; reinforced back tube receptacle	28
08 Seat	
-Code 351; Seatbelts for short frame length (C)	29
-Code 352; Seatbelts for medium frame length (D)	30
-Code 353; Seatbelts for long frame length (E)	31
-Code 960; Ergoform seat unit, fixed seat	32
09 Arm support	
-Code 21; Arm supports, detachable, large, height adj., cushion	33
-Code 81; Arm support fixed, height adj.	34
-Code 81-351; Arm support locked, height adjustable, frame length short (C)	35
-Code 84; Arm support, adj. armrest long, lockable	36
-Code 102; Arm support small, firmly attached	37
-Code 749; Clothes guard with height adjustable arm supports and neoprene insert	38

10 Leg supports

-Code 52; Amputee leg support	39
-Code 54; Footplate continuous	40
-Code 87; Leg support, continuous foot plate	42
-Code 92; Removable height adj. leg support, swivel-away	44
-Code 92; Removable height adj. leg support, swivel-away	45
-Code 93; Removable leg supports, swivel-away	46
-Code 93; Removable leg supports, swivel-away	46
-Code 798; Footplates angle adjustable up to \pm 60 degrees	47
-Code 805; Foot plates plastic, divided	48
-Code 808; Foot plates angle adjustable	49

12 Cross braces

-Cross braces for frame length Code 351	51
-Cross brace for frame length Code 352	51
-Cross braces for frame length Code 352/353	52

17 Support wheels

-Code 691; Stick-in support wheels	54
-Code 728; Swivel-away support castor	55

20 Seat cushion

-Seat cushion	56
---------------	----

24 Other criteria

-Code 913; Head support, removable	57
------------------------------------	----

Accessories

-Accessories	58
--------------	----

EUROCHAIR AVANTI / a

Introduction

Exact specifications are required for your spare parts' orders. Only then we can guarantee that you will receive the correct spare part. All MEYRA-ORTOPEDIA -wheelchairs are manufactured according MEYRA-ORTOPEDIA -component group system.

Assembly group outline

Component unit 01: Frame	Component unit 12: Crossbrace
Component unit 03: Steering	Component unit 15: Electrical system
Component unit 04: Drive	Component unit 16: Working table
Component unit 05: Pressure Brake	Component unit 17: Support wheels
Component unit 06: Chassis	Component unit 20: Seat cushion
Component unit 07: Backrest	Component unit 24: Other Codes
Component unit 08: Seat	Component unit 26: Revetment
Component unit 09: Armrest	Component unit 98: Accessories and small parts
Component unit 10: Leg support	Component unit 99: Circuit diagrams

The index lists different versions of an assembly group, therefore you will find the spare part you are searching for quickly and precisely.

Note:

The assembly group outline also includes assemblies that do not apply to your model.

Liability/ guarantee for foreign products

Do not use any foreign products as spare parts or accessories for MEYRA-ORTOPEDIA -Wheelchairs. Foreign products may affect the operational reliability of the wheelchair, even if the foreign products have not been tested by TÜV or another official authority (General Type Approval). The scope of testing may not always be comprehensive enough. **MEYRA-ORTOPEDIA does not accept any liability or guarantee for foreign products used as spare parts or accessories as well as for damages and accidents caused by exchange or installation of such parts.**

Safety instructions for the use of spare parts

- When exchanging parts only use components corresponding to the wheelchair model and Code number.
- Please check after receipt if the spare part received is the same you ordered!
- Only authorized dealers or specialized workshops are allowed to carry out repairs on the wheelchair.
- Please take a test drive after repair of the wheelchair. Pay attention to unusual noises and check:
 - Braking ability
 - Steering ability
 - the straight running.

Abbreviations used

In the bills of material you will find following abbreviations:

AT means exchange components

The parts (articles or standard parts) marked with a letter can be reused after inspection!

Special features

Position numbers marked with a letter refer to parts not represented (e.g. for the opposite side).

Order specimen

To establish your order examples please proceed as follows.

- 1. Type/Model**
Please take the type number from the instruction manual, the delivery note or the type plate.
- 2. Manufacturing year and vehicle ID no.**
Read off the year of construction and the vehicle identification number from the type plate, e.g.:
Year of construction: 97/12
Vehicle ID No. (Fz-I-Nr.): 5678901
- 3. Component unit**
Allocate the defective part to an assembly group (see assembly group outline).
- 4. Code-No.:**
Compare the code numbers of delivery note with the Code list of the corresponding assembly group. Code-No.: 626 backrest height 30cm
- 5. Look up representation of the assembly group chosen with corresponding Code No.**
The page where you can find the required representation and bills of material is indicated in the table of contents after the code number.
- 6. Article-No:**
A position number is indicated on the spare part that is to be ordered enabling you to read off the corresponding article number from the bill of material.
- 7. Determine the quantity**
Determine number of component units to be replaced.
Remark:
The number of pieces indicated in the bills of material correspond to the number of component units used in the assembly group (left and right wheelchair side).
- 8. Determine the description**
Read off the corresponding designation from the bill of materials.
- 9. Determine the colour**
Please take the colour code from the delivery note.
- 10. Spare parts order:**
For a correct order please indicate all data.

Watch for the correct specifications on your order; Only then we can guarantee that you will receive the correct spare part.

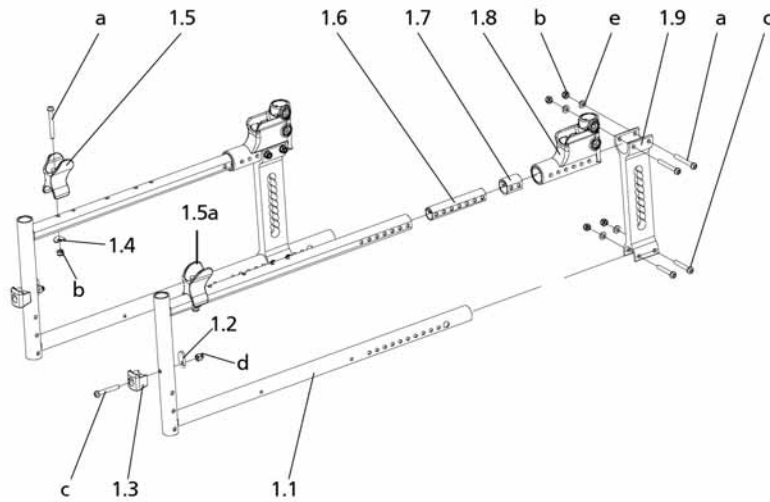
Attention!

Subsequent changes to the wheelchair as well as arrangements with customers relating to the assembly group to be repaired have to be stated in your order.

Important information!

If any modifications have been made to the wheelchair, the specialized dealer is required to enclose the appropriate code no. as well as the date of the modifications, along with the operating instructions for the wheelchair. This ensures that no incorrect details will be given for future orders of spare parts. **Original- MEYRA-ORTOPEDIA - spare parts!**

EUROCHAIR AVANTI / a
Component unit: Frame



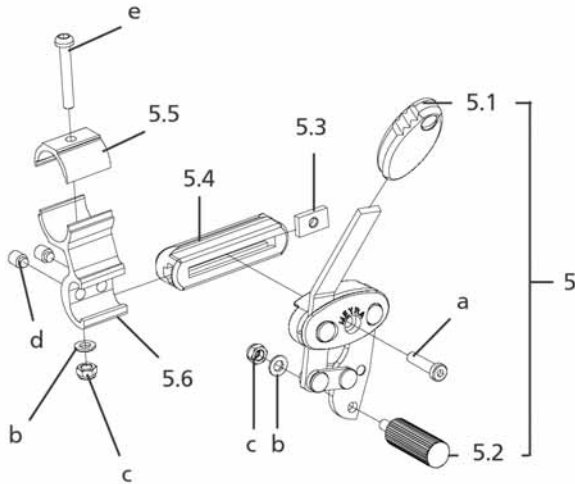
Sub Unit: Code 351/352/353; Frame

Item	Article-No:	Pc	Description
1.2	1 054 143	2	Tin
1.3	205 214 306	2	Locking bolt mount
1.4	8 454 744	2	WASHER FORGED R 12.5
1.5	1 042 145	1	Seat bearing, right
1.5a	1 042 144	1	Seat bearing, left
1.6	1 057 185	2	ENFORCEMENT PROFILE
1.7	1 057 904	2	DISTANCER PROFILE
1.8	1 057 183	2	BACK TUBE RECEPTACLE
a	205 598 300	6	Fillister head screw M6x50
b	207 320 100	10	Locknut, DIN 980/8, M6, A3T
c	205 597 400	6	Fillister head screw M6x40 10.9 A3T
d	207 320 000	2	Locking cap nut DIN 986 M6-8 A3T
e	207 330 200	8	Washer, DIN 125-B6, 4 St. A3T
-	1 062 311	2	Step-on cap L=45mm DI=24mm DO=34mm
-	1 062 312	2	Plug w groove

Sub Unit: Code 351/352/353; Frame

Item	Article-No:	Pc	Description
Code 351; Frame length short (C)			
1.1	1 062 719	2	Front frame Code 351
1.9	1 062 711	2	Vario plate for Code 351
Code 352; Frame length medium (D)			
1.1	1 057 176	2	FRONT FRAME
1.9	1 063 562	2	Vario plate for Code 352 353
Code 353; Frame length long (E)			
1.1	1 063 561	2	Front frame Code 353
1.9	1 063 562	2	Vario plate for Code 352 353

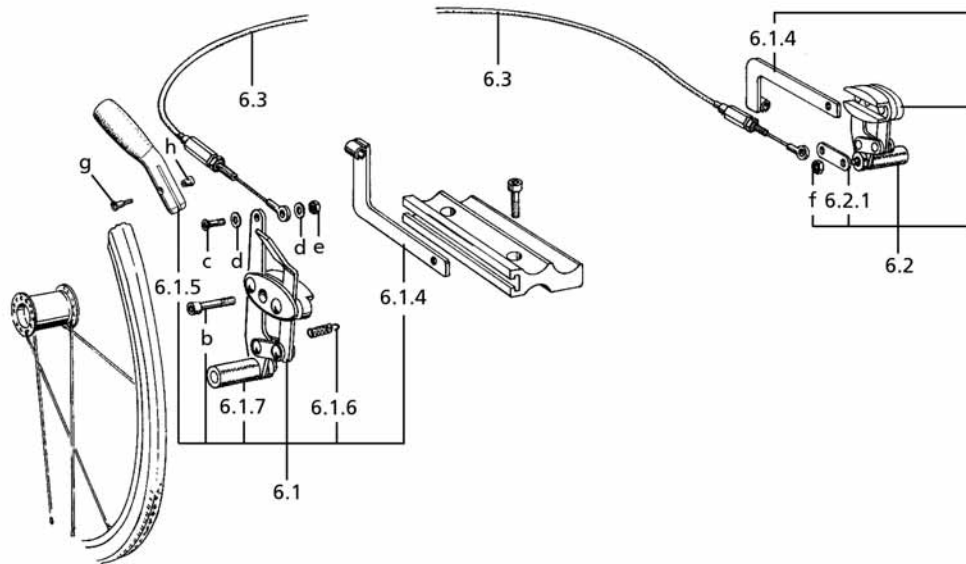
EUROCHAIR AVANTI / a
Component unit: Pressure Brake



Sub Unit: Pressure Brake

Item	Article-No:	Pc	Description
-	1 063 569	1	1 pair pressure brake cpl. w brake brackets
5	1 044 580	1	Brake, right, with fixing device without holding device
5a	1 044 577	1	Brake, left, with fixing device without holding device
5.1	1 052 924	2	Brake handle
5.2	1 051 006	2	Screw
5.3	1 002 850	2	Clamping piece
5.4	1 054 299	2	Brake holder
5.5	1 054 298	2	Upper brake bracket (half shell)
5.6	1 054 297	2	Lower brake bracket (bracket receptacle)
a	207 351 200	2	Cheese head screw, M6x25, DIN7984-8.8 A3T VC
b	207 330 200	4	Washer, DIN 125-B6,4 St. A3T
c	207 320 100	4	Locknut, DIN 980/8, M6, A3T
d	207 252 600	4	Threaded pin, M8x10, DIN915
e	205 597 400	2	Fillister head screw M6x40 10.9 A3T

EUROCHAIR AVANTI / a
Component unit: Pressure Brake



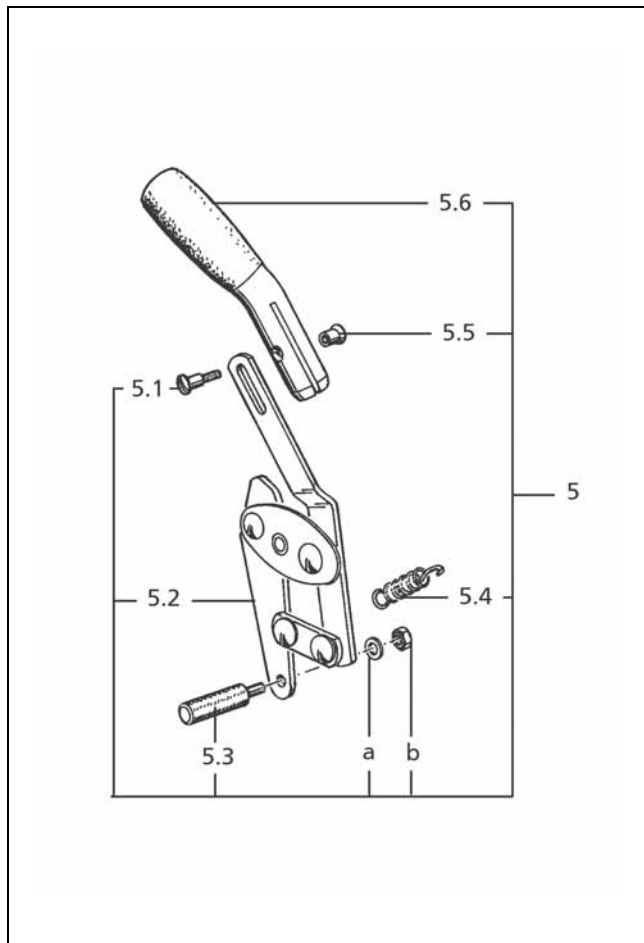
Sub Unit: Code 650; Pressure brakes (pair) one-side activation

Item	Article-No:	Pc	Description
6.3	1 052 727	1	Bowden cable SW 38-43
-	1 052 728	1	Bowden cable SW 45-48
6.1.6	206 300 000	2	Tension spring
6.1.7	1 051 006	2	Screw
6.2.1	1 052 730	1	Stopper latch
b	207 351 200	2	Cheese head screw, M6x25, DIN7984-8.8 A3T VC
c	207 381 600	2	Fillister head screw
d	207 330 100	4	Washer DIN 125-B5,3 St A3T
e	207 322 000	2	Locknut,DIN 980/8,M5
f	207 320 100	2	Locknut,DIN 980/8,M6, A3T
g	207 344 200	2	Countersunk head screw DIN 965 M 5x12-4.8
h	205 597 200	2	Sleeve nut M5
-	206 954 200	1	CABLE BAND T 30 BLACK
-	207 303 300	4	Cheese head screw DIN 912 M5x16
-	207 330 200	2	Washer,DIN 125-B6,4 St. A3T

Sub Unit: Code 650; Pressure brakes (pair) one-side activation

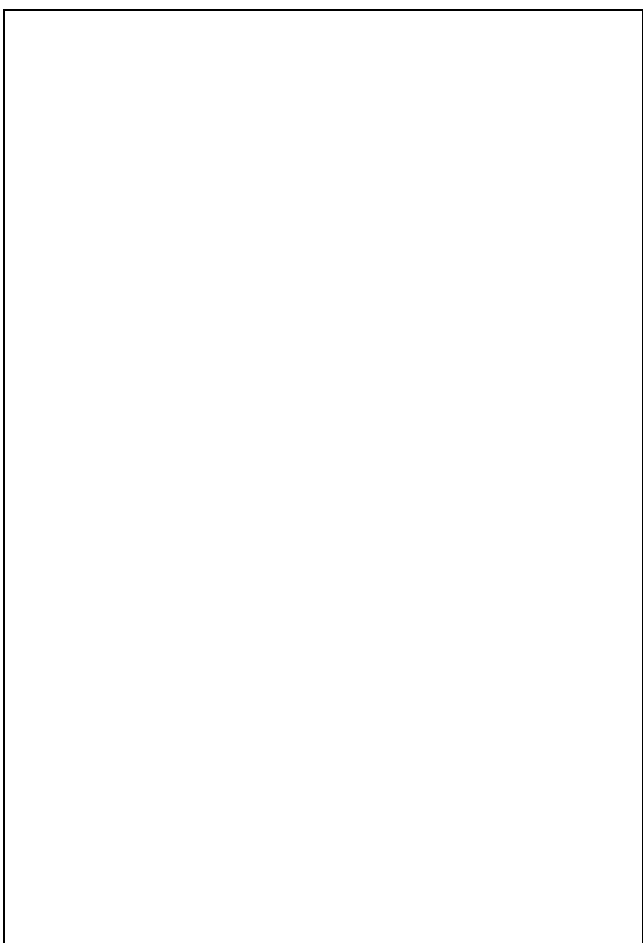
Item	Article-No:	Pc	Description
			Code 60; Operation opposite to the standard version (left)
-	1 059 821	1	One-hand brake Code 60-650 Brake lever foldable, left
6.1	1 052 742	1	Brake right cpl. Code 60-650
6.2	1 059 800	1	Brake left cpl. Code 60 - -650
6.1.4	1 052 732	2	Guide left
6.1.5	1 054 295	1	BRAKE HANDLE LEFT
			Code 74; Operation standard version (right)
-	1 059 820	1	One-hand brake Code 74-650 Brake lever foldable, right
-	1 059 801	1	Brake right cpl. Code 74 - -650
-	1 052 737	1	Brake left cpl. Code 74-650
-	1 052 739	2	Guide right
6.1.5a	1 054 296	1	BRAKE HANDLE RIGHT

EUROCHAIR AVANTI / a
Component unit: Pressure Brake

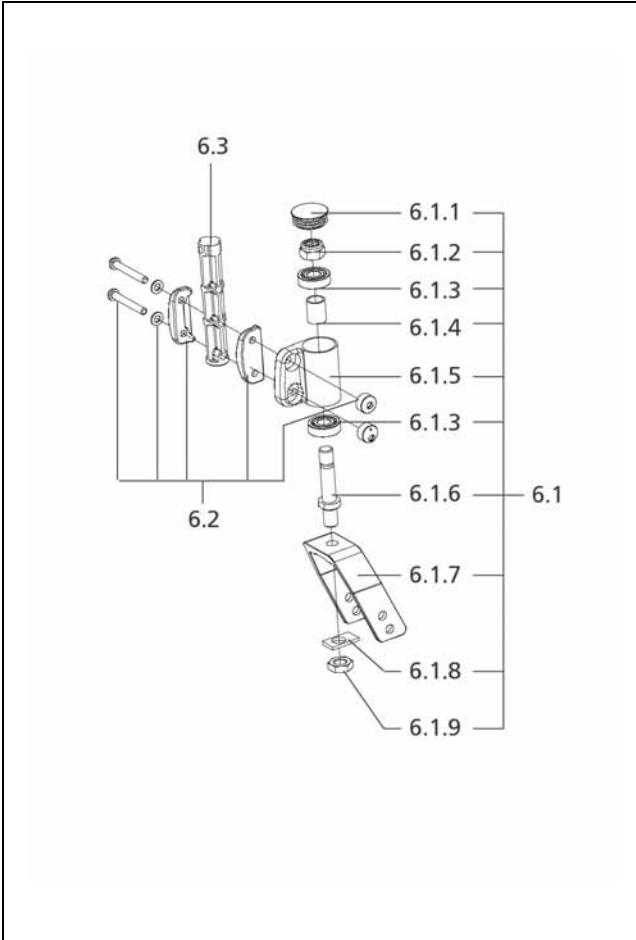


Sub Unit: Code 681; Pressure brake with fold-away brake lever

Item	Article-No:	Pc	Description
5	1 056 365	1	BRAKE RIGHT
5a	1 056 364	1	BRAKE LEFT
5.1	207 344 200	2	Countersunk head screw DIN 965 M 5x12-4.8
5.2	1 056 363	1	BRAKE RIGHT CPL.
5.2a	1 056 362	1	BRAKE LEFT CPL.
5.3	1 051 006	2	Screw
5.4	206 300 000	2	Tension spring
5.5	205 597 200	2	Sleeve nut M5
5.6	1 054 296	1	BRAKE HANDLE RIGHT
5.6	1 054 295	1	BRAKE HANDLE LEFT
a	207 330 200	2	Washer, DIN 125-B6, 4 St. A3T
b	207 320 100	2	Locknut, DIN 980/8, M6, A3T
-	1 002 850	2	Clamping piece
-	207 351 200	2	Cheese head screw, M6x25, DIN7984-8.8 A3T VC

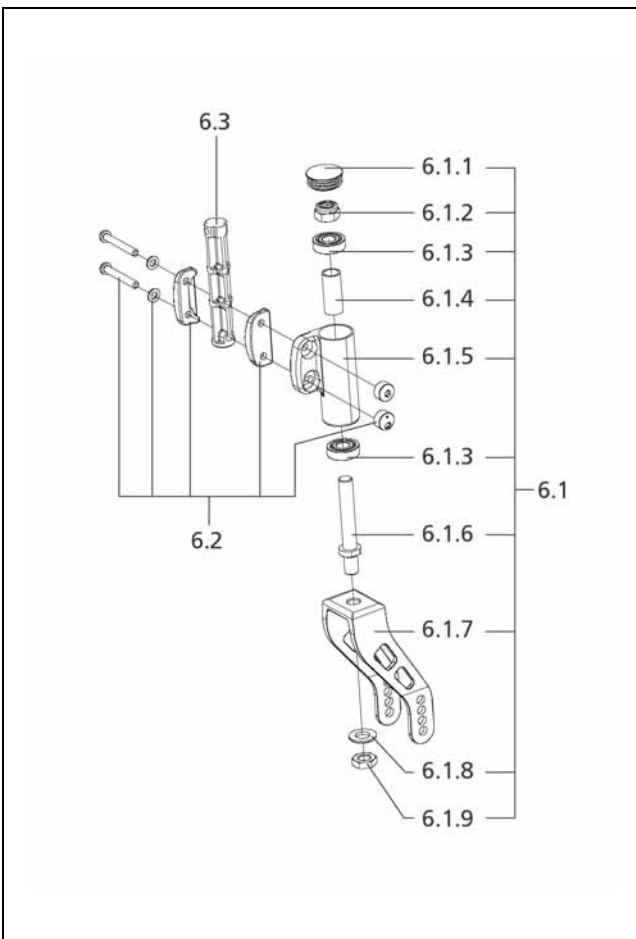


EUROCHAIR AVANTI / a
Component unit: Chassis



Sub Unit: Code 173; Angle adj. steering fork short fork width 45,7 mm

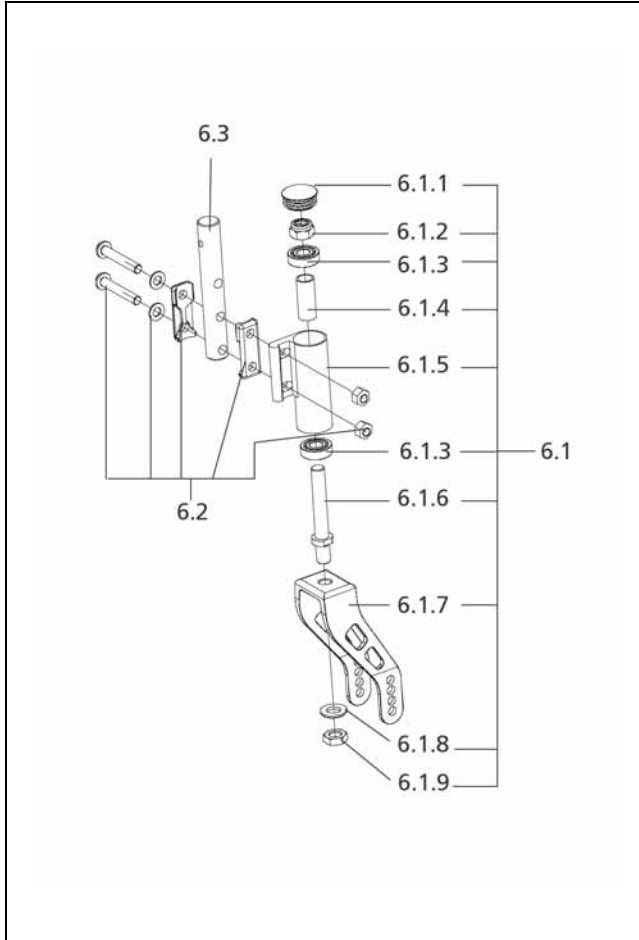
Item	Article-No:	Pc	Description
6.1.1	205 048 500	2	Plastic slide SFL 32 black
6.1.2	207 322 200	2	Locknut DIN 980/8 M12x1,5-5 A3T
6.1.3	206 502 900	4	Deep groove ball bearing DIN 625
6.1.4	1 039 911	2	Distance tube
6.1.5	1 051 723	1	Castor stem receptacle right
6.1.5a	1 051 722	1	Castor stem receptacle left
6.1.6	1 039 909	2	Wheel fork bolt
6.1.8	8 005 447	2	Stiffening link
6.1.9	207 011 300	2	Hexagon nut M12x1,5 DIN439 5
6.2	5 006 082	1	Screw set, steering head
6.3	1 046 718	2	Stiffening screw
Code 173; Angle adj. steering fork short fork width 45,7 mm			
-	1 064 448	1	Steering fork asmb Code 173 short FW 45,7 FH 90 1 pair
6.1	1 055 000	1	WHEEL FORK LEFT ASSY
6.1a	1 055 001	1	WHEEL FORK RIGHT ASSY
6.1.7	1 039 920	2	Wheel fork 5", complete



Sub Unit: Code 174; Angle adjustable steering forg, long, fork width 45.7mm 3 positions

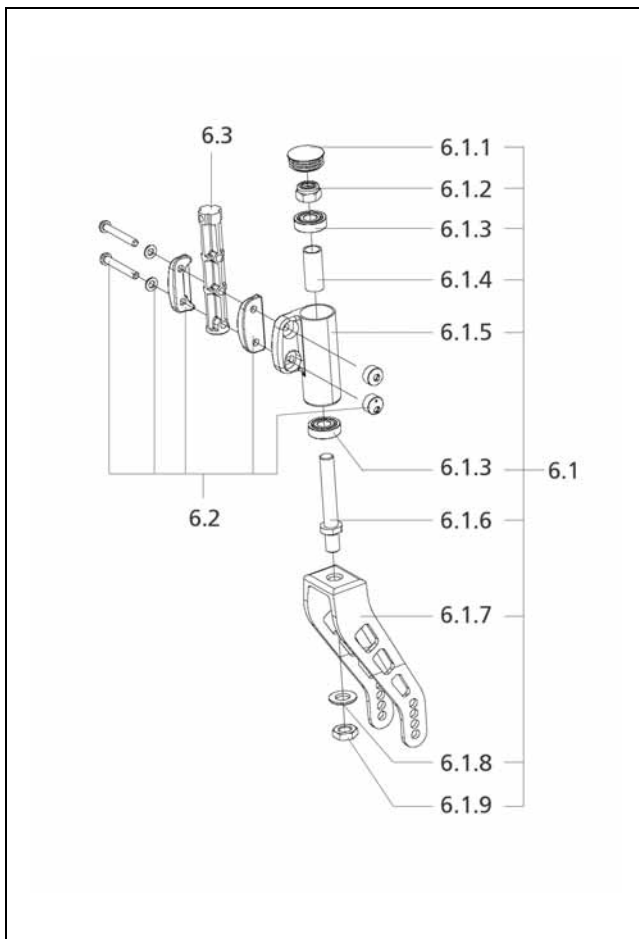
Item	Article-No:	Pc	Description
6.1.1	205 048 500	2	Plastic slide SFL 32 black
6.1.2	207 322 200	2	Locknut DIN 980/8 M12x1,5-5 A3T
6.1.3	206 502 900	4	Deep groove ball bearing DIN 625
6.1.4	1 032 458	2	Distance tube
6.1.5	1 051 038	1	Control head mount, left
6.1.5a	1 051 039	1	Control head, right
6.1.6	8 445 320	2	Swivel fork axle
6.1.8	207 330 600	2	Washer DIN 125 B13
6.1.9	207 011 300	2	Hexagon nut M12x1,5 DIN439 5
6.2	5 006 082	1	Screw set, steering head
6.3	1 046 718	2	Stiffening screw
6.3	1 057 901	2	REINFORCEMENT BOLT (ALUMINIUM) ->(only in combination with frame length short Code 351) ->(not in combination with short frame length Code 351)
Code 174; Angle adjustable steering forg, long, fork width 45.7mm 3 positions			
-	1 064 445	1	Steering fork asmb. Code 174 1 pair FW 46
6.1	1 064 446	1	Wheel fork asmb left
6.1a	1 064 447	1	Wheel fork asmb right
6.1.7	1 064 437	2	Wheel fork short Code 174 FW 46

EUROCHAIR AVANTI / a
Component unit: Chassis



Sub Unit: Code 174-353; Angle adjustable steering fork long, fork width 45.7 3 settings, frame length long (E)

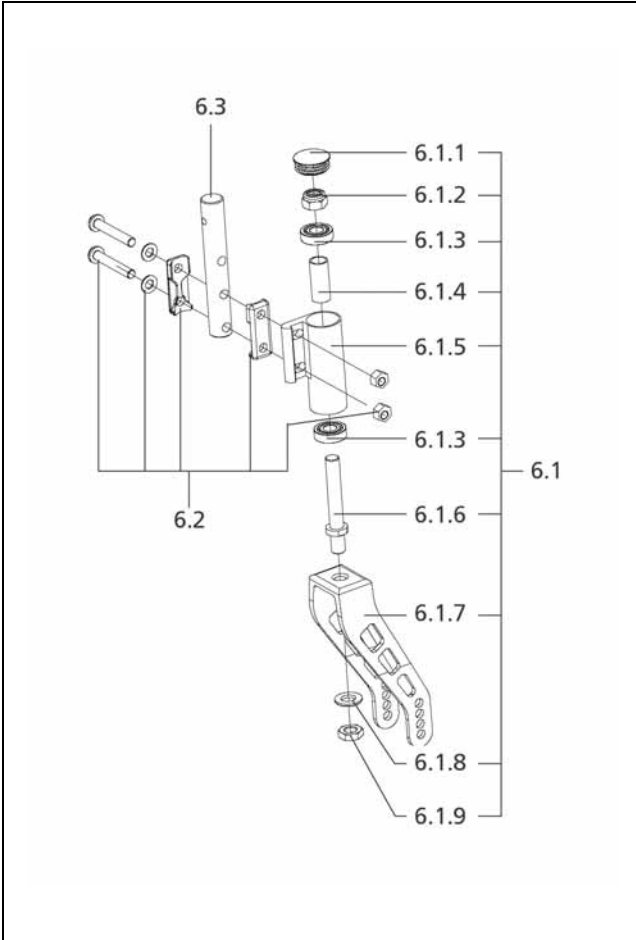
Item	Article-No:	Pc	Description
6.1.1	205 048 500	2	Plastic slide SFL 32 black
6.1.2	207 322 200	2	Locknut DIN 980/8 M12x1,5-5 A3T
6.1.3	206 502 900	4	Deep groove ball bearing DIN 625
6.1.4	1 032 458	2	Distance tube
6.1.5	1 062 062	1	Castor stem receptacle left (M8 attachment)
6.1.5a	1 062 063	1	Castor stem receptacle right (M8 attachment)
6.1.6	8 445 320	2	Swivel fork axle
6.1.8	207 330 600	2	Washer DIN 125 B13
6.1.9	207 011 300	2	Hexagon nut M12x1,5 DIN439 5
6.2	5 006 394	1	Shoulder screw set castor stem (M8 attachment)
6.3	1 062 071	2	Reinforcement bolt (aluminium) for M8 attachment
Code 174; Angle adjustable steering forg, long, fork width 45.7mm 3 positions			
-	1 064 441	1	Steering fork asmb. Code 174-353 1pair FW46 short
6.1	1 064 442	1	Wheel fork asmb left Code 174-353
6.1a	1 064 443	1	Wheel fork asmb right Code 174-353
6.1.7	1 064 437	2	Wheel fork short Code 174 FW 46



Sub Unit: Code 418; Steering fork short

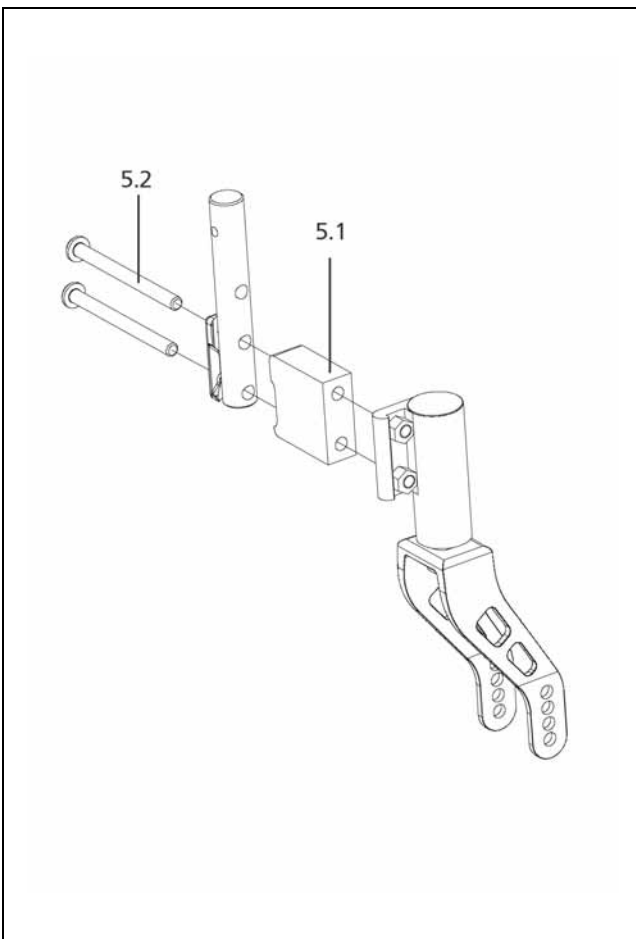
Item	Article-No:	Pc	Description
6.1.1	205 048 500	2	Plastic slide SFL 32 black
6.1.2	207 322 200	2	Locknut DIN 980/8 M12x1,5-5 A3T
6.1.3	206 502 900	4	Deep groove ball bearing DIN 625
6.1.4	1 032 458	2	Distance tube
6.1.5	1 051 038	1	Control head mount, left
6.1.5a	1 051 039	1	Control head, right
6.1.6	8 445 320	2	Swivel fork axle
6.1.8	207 330 600	2	Washer DIN 125 B13
6.1.9	207 011 300	2	Hexagon nut M12x1,5 DIN439 5
6.2	5 006 082	1	Screw set, steering head
6.3	1 057 901	2	REINFORCEMENT BOLT (ALUMINIUM)
Code 418; Steering fork short			
-	1 064 444	1	Steering fork asmb. Code 418 1pair FW46 short
6.1	1 051 751	1	Wheel fork, right, assembled Code 418
6.1a	1 051 749	1	Wheel fork, left, assembled Code 418
6.1.7	1 051 750	2	Wheel fork, complete

EUROCHAIR AVANTI / a
Component unit: Chassis



Sub Unit: Code 418-353; Short steering fork, frame length long (E)

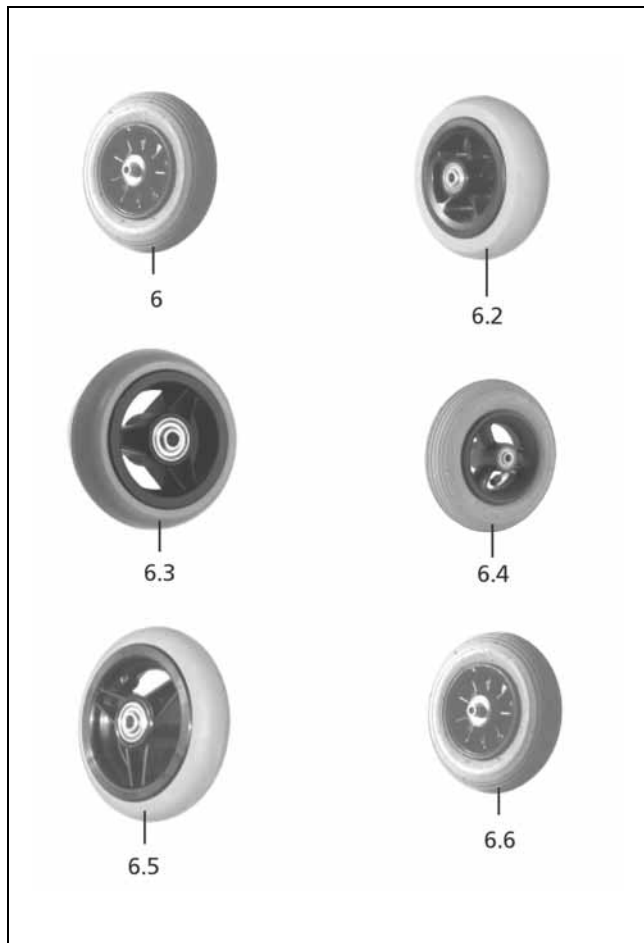
Item	Article-No:	Pc	Description
6.1.1	205 048 500	2	Plastic slide SFL 32 black
6.1.2	207 322 200	2	Locknut DIN 980/8 M12x1,5-5 A3T
6.1.3	206 502 900	4	Deep groove ball bearing DIN 625
6.1.4	1 032 458	2	Distance tube
6.1.5	1 062 062	1	Castor stem receptacle left (M8 attachment)
6.1.5a	1 062 063	1	Castor stem receptacle right (M8 attachment)
6.1.6	8 445 320	2	Swivel fork axle
6.1.8	207 330 600	2	Washer DIN 125 B13
6.1.9	207 011 300	2	Hexagon nut M12x1,5 DIN439 5
6.2	5 006 394	1	Shoulder screw set castor stem (M8 attachment)
6.3	1 062 071	2	Reinforcement bolt (aluminium) for M8 attachment
Code 418; Steering fork short			
-	1 064 438	1	Steering fork asmb. Code 353-418 1 pair FW 46
6.1	1 064 440	1	Wheel fork asmb right Code 353-418
6.1a	1 064 439	1	Wheel fork asmb left Code 353-418
6.1.7	1 051 750	2	Wheel fork, complete



Sub Unit: Code 4906; Refit kits - castor stem receptacles

Item	Article-No:	Pc	Description
-	1 059 883	1	Refit kit HEMI=adapter Code 4906 Only with Code 455.
5.1	1 039 915	2	Spacer
5.2	1 047 683	4	Filister head screw, M6 x 95 10.9 A3t, special screw
-	1 064 914	1	Refit kit HEMI-adapter Code 4906 for M8 attachment
5.1	1 064 915	2	Distancer (M8 attachment)
5.2	1 064 916	4	Filister head screw M8x97 special screw

EUROCHAIR AVANTI / a
Component unit: Chassis

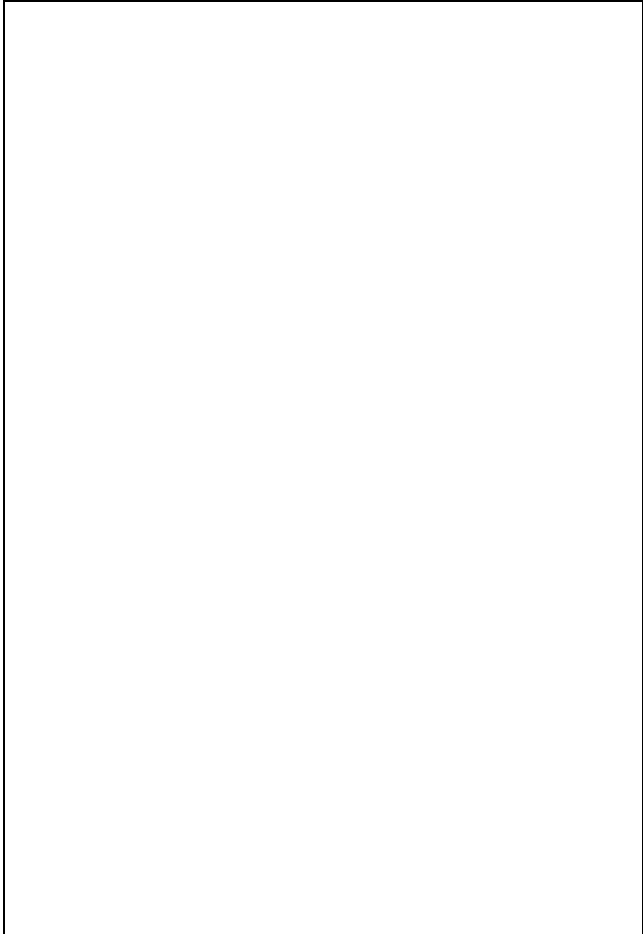


Sub Unit: Code 143-481/143-174-900/154/162/325/645

Item	Article-No:	Pc	Description
-	209 005 300	2	Steering wheel screw,8x51,5
-	209 005 400	2	Fillister flat head screw, M6x12
-	1 032 152	4	Distance bush
Code 143-481; Steering wheels 6x1¼ standard pneumatic			
-	1 051 756	1	Running gear, assembled 6 x 1 1/4", Code 143-481
6	206 246 506	2	Wheel 150x30
Code 143-900; Steering wheel 6x1¼ - puncture proof tyres			
-	1 042 514	1	Running gear assembled 6x1 1/4" code 143-900
6.4	206 247 300	2	Wheel 6 x 1 1/4", nabe 36 mm flexible insert
Code 154; Steering wheel ø142 solid rubber Soft			
-	1 057 896	1	CHASSIS ASSY CODE 154
6.2	206 249 906	2	Wheel 140 x 37, Code 154
Code 162; Steering wheel 150x27 PU-foam			
-	0	1	1055823
6.3	206 248 306	2	Wheel 150x32 hub 36mm
Code 325; Steering wheel ø125 solid rubber			
-	1 057 893	1	CHASSIS ASSY CODE 325
6.5	8 013 912	2	5WHEEL D=125MM/B=30MM NL=45MM RIM BLACK

Sub Unit: Code 143-481/143-174-900/154/162/325/645

Item	Article-No:	Pc	Description
Code 645; Steering wheel 7x1¾" air tyre			
-	1 054 289	1	"Chassis asmb. Code 645 7 X 1 3/4"" air tyre"
6.6	1 054 290	2	Wheel 7 X 1 3/4"" (200X50) air tyre hub 45 mm 3011
-	206 110 500	2	Hose/inner tube,7x1 3/4", (200x50), AV 90°/30°
-	206 101 702	2	Blanket casing 7x1 3/4",grey



EUROCHAIR AVANTI / a
Component unit: Chassis

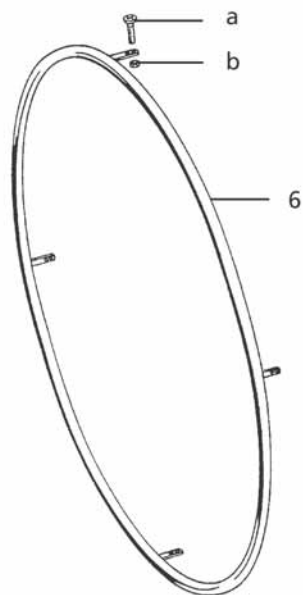


Sub Unit: Drive wheels - tyre

Item	Article-No:	Pc	Description
			Code 67; Wheel size 22"
			Code 67-486; Wheel size 22" - Standard- air tyre (standard profile)
-	206 115 202	2	Blanket / casing, 22 x 1 3/8" grey
-	206 108 800	2	Hose / inner tube, 22 x 1 3/8"
-	206 122 200	2	Rim band, 20"/22"
			Code 67-895-902; Wheel size 22x1" – PU-tyres
-	206 119 502	2	"Wheel 22 x 1"" Code 474-902"
-	206 119 102	2	Tyres 22 x 1 3/8"

Sub Unit: Drive wheels - tyre

Item	Article-No:	Pc	Description
			Code 61; Wheel size 24"
			Code 61-486; Wheel size 24" - Standard- air tyre (standard profile)
-	206 115 102	2	Blanket / casing, 24 x 1 3/8" grey, Code 37-540
-	206 109 400	2	Hose/inner tube 24 x 1 3/8" Code 37-540, schrader valve
-	206 122 300	2	Rim band 24"
			Code 61-486-895; Wheel size 24x1" – pneumatic-tyres
-	206 117 102	2	Blanket / casing, 24 x 1" grey
			Code 696; Tyres with ornamental stripe (standard profile)
-	206 117 902	2	Blanket / casing
-	206 111 400	2	Hose / inner tube, 24 x 1"
-	206 122 300	2	Rim band 24"
			Code 61-895-902; Wheel size 24x1" – PU-tyres
-	206 119 602	2	"Wheel 24 x 1"" Code 476-902"
			Code 61-896-902; Wheel size 24x13/8 – PU-tyres
-	206 118 902	2	Tyres 24 x 1 3/8", grey

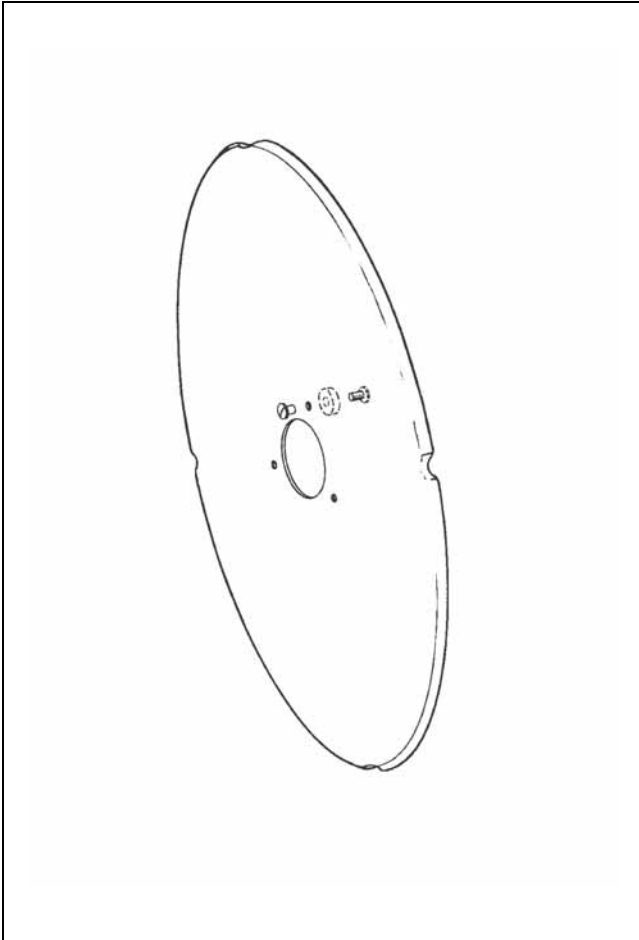
**Sub Unit: Handrims - Handrim covers**

Item	Article-No:	Pc	Description
			Code 67; Wheel size 22"
-	207 536 400	8	Screw DIN 933 M5x10
-	207 805 100	8	Square head nut DIN 557 M5
			Code 493; Handrim stainless steel
6	205 546 800	2	Handrim 22", assembled
			Code 494; Handrim aluminium
6	8 442 970	2	Handrim 22" aluminium
			Code 166; Handrim cover silic.,black,smooth
-	205 144 406	2	Handrim coating 22" black code 67-166

Sub Unit: Handrims - Handrim covers

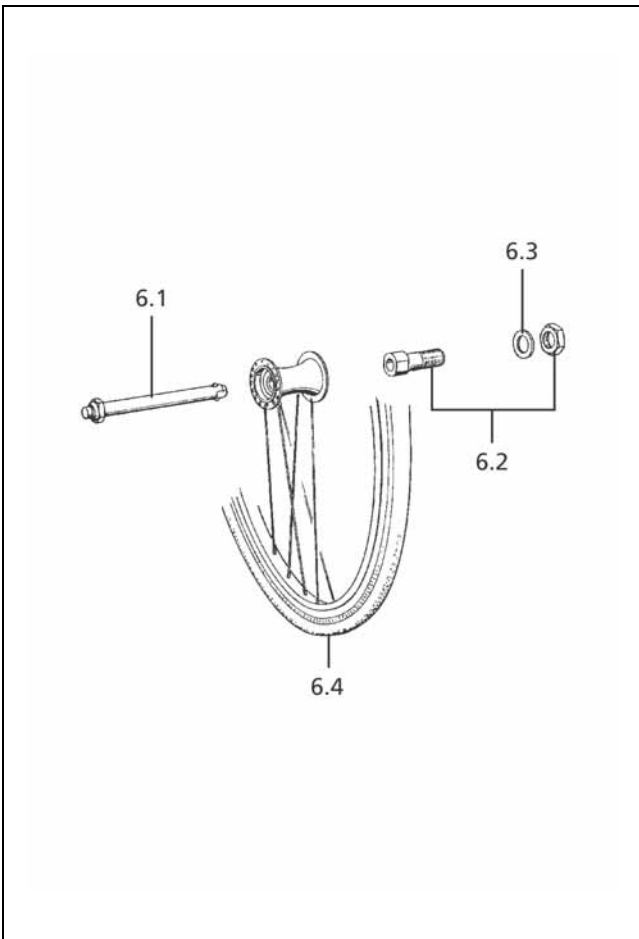
Item	Article-No:	Pc	Description
			Code 61; Wheel size 24"
-	207 536 400	8	Screw DIN 933 M5x10
-	207 805 100	8	Square head nut DIN 557 M5
			Code 493; Handrim stainless steel
6	205 546 600	1	Handrim 24" stainless steel
			Code 494; Handrim aluminium
6	8 442 962	2	Handrim 24" aluminium
			Code 166; Handrim cover silic.,black,smooth
-	205 144 506	2	Handrim coating 24" black code 61-166
			Code 168; Tetraplegic-silicon handrim
-	205 641 000	2	Handrim 24"tetraplegic silicone for code 168

EUROCHAIR AVANTI / a
Component unit: Chassis



Sub Unit: Hand and spoke guard (incl. fixing material)

Item	Article-No:	Pc	Description
Wheel size 22"			
-	1 024 104	1	Hand and spoke protection 22" transparent, cpl., Code 67-489
Wheel size 24"			
-	1 024 100	1	Hand and spoke guard 24" transparent



Sub Unit: Code 651; detachable wheels (quick-release axle)

Item	Article-No:	Pc	Description
6.1	206 227 710	2	Floating axle with copunternut
6.2	206 227 720	2	Adapter with hexagon nut
6.3	207 330 700	2	Washer B17 DIN125
6.4		0	view page drive wheel for pressure/drum brake



Sub Unit: Driving wheel for pressure brake

Item	Article-No:	Pc	Description
Code 67; Wheel size 22"			
6.3	1 050 267	2	DRIVE WHEEL 22 x 1" CODE 474-641/651-902-494 ->(Wheel size 22x1" -PU-tyre-aluminium handrim)
6.3	1 050 266	2	DRIVE WHEEL 22 x 1" CODE 474-641/651-902-493 ->(Wheel size 22x1" - PU-tyre - stainless steel handrim)
6.3	1 043 668	2	Drive wheel, complete, 22 x 1" Code 474-486-494 ->(Wheel size 22x1" - standard air tyre - aluminium handrims)
6.3	1 050 099	2	Drive wheel, complete, 22 x 1" Code 474-486-493 ->(Wheel size 22x1" - standard air tyres, rib tread - stainless steel handrims)
6.3	1 040 385	2	Drive wheel,complete, 22"x 1 3/8",code 67-486-494 ->(Wheel size 22x1 3/8" - Standards air tyres [standard profile] - aluminium handrims)
6.3	1 040 386	2	Drive wheel,complete, 22"x 1 3/8",code 67-486-493 ->(Wheel size 22x1 3/8" - Standards air tyres [standard profile] - stainless steel handrims)
6.3	1 043 672	2	DRIVE WHEEL CPL 22X1 3/8" PU CODE 67-641-494-692-902 ->(Wheel size 22x1 3/8" -PU-tyre-aluminium handrim)
6.3	1 050 101	2	"drive wheel 22"x1 3/8" Code 67-641/651-493-902-692" ->(Wheel size 22x1 3/8" -PU-tyre-stainless steel handrim)

Sub Unit: Driving wheel for pressure brake

Item	Article-No:	Pc	Description
Code 61; Wheel size 24"			
6.3	5 006 094	2	Drive wheel cpl 24X1" Code 476-486-493-651-695 ->Wheel size 24x1" - standard air tyres, rib tread - Stainless steel handrims)
6.3	5 006 095	2	Drive wheel cpl 24X1" Code 476-486-494-651-695 ->(Wheel size 24x1" - standard air tyre - aluminium handrims)
6.3	1 050 269	2	Drive wheel 24 X 1" Code 476-641/651-902-494 ->(Wheel size 24x1" -PU-tyre-aluminium handrim)
6.3	1 050 268	2	DRIVE WHEEL 24 x 1" CODE 476-641/651-902-493 ->(Wheel size 24x1" -PU-tyre-stainless steel handrim)
6.3	1 040 384	2	Drive wheel,compl.,24"x1 3/8", code 61-486-493 ->(Wheel size 24x1 3/8" - standard air tyre - stainless steel handrims)
6.3	5 005 736	2	Drive wheel, complete 24x1 3/8 Code 61-486-494-692 ->(Wheel size 24x1 3/8" - standard air tyre - aluminium handrims)
6.3	1 041 764	2	"drive wheel cpl. 24X 1 3/8" Code 61-641-493-902" ->(Wheel size 24x1 3/8" -PU-tyre-stainless steel handrim)
6.3	1 041 765	2	wheel 24Z aluminium handrim PU-tires IMPULS-2/3/4/TOUR-L. ->(Wheel size 24x1 3/8" -PU-tyre-aluminium handrim)

EUROCHAIR AVANTI / a
Component unit: Chassis

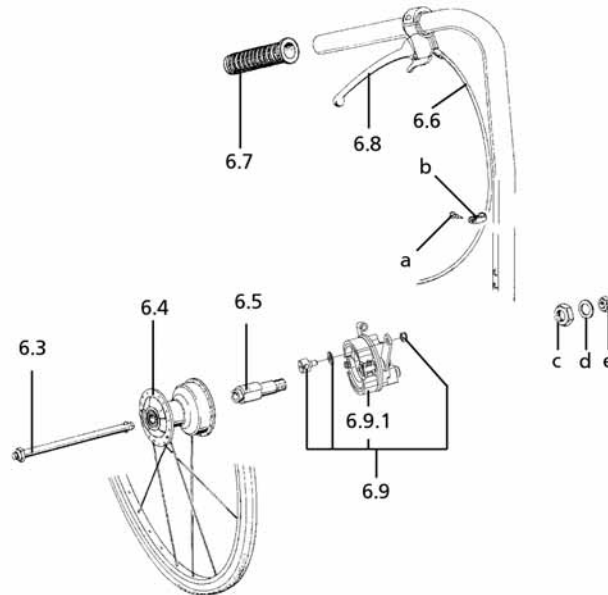


Sub Unit: Driving wheel for drum brake

Item	Article-No:	Pc	Description
Code 61; Wheel size 24"			
6.1	1 050 242	2	DRIVE WHEEL 24X1 3/8" DR.BR. CODE:61-683/05-217-494-486-692 ->(Wheel size 24x1 3/8" - Pneumatic tyres for driving wheels, rib profile - Aluminium handrims)
6.1	1 050 243	2	DRIVE WHEEL 24X1 3/8" DR.BR PU CODE:61-683/05-217-494-902-692 ->(Wheel size 24x1 3/8" -PU-tyre-aluminium handrim)
6.1	1 035 030	2	DRIVE WHEEL 24X 1 3/8" DR.BR. CODE:61-683-495 ->(Wheel size 24x1 3/8" -standard pneumatic tyre, rib profile - steel handrim)
6.1	1 043 509	2	DRIVE WHEEL 24X1 3/8" DR.BR PU CODE:61-902-692-495 ->(Wheel size 24x1 3/8" -PU-tyre-steel handrim)

Sub Unit: Driving wheel for drum brake

Item	Article-No:	Pc	Description
Code 67; Wheel size 22"			
6.1	1 040 359	2	Drive wheel complete 22x1 3/8" Code 67-486-494-683/687-692 ->(Wheel size 22x1 3/8" - Standards air tyres [standard profile] - aluminium handrims)
6.1	1 043 691	2	DRIVE WHEEL 22X1 3/8" PU CODE:67-494-692-706-902 ->(Wheel size 22x1 3/8" -PU-tyre-aluminium handrim)
6.1	1 035 096	2	DRIVE WHEEL 22X1 3/8" DR.BR. ->(Wheel size 22x1 3/8" -standard pneumatic tyres, rib profile - steel handrim)
6.1	1 043 690	2	DRIVE WHEEL 22X1 3/8" DR.BR PU CODE:67-495-692-902 ->(Wheel size 22x1 3/8" -PU-tyre-steel handrim)

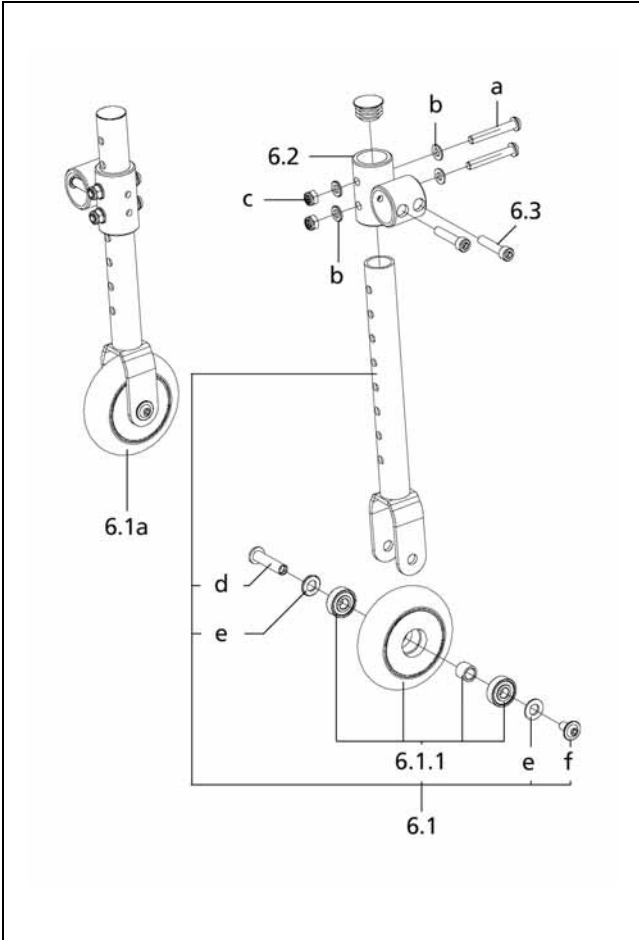

Sub Unit: Code 706; Drum brakes for detachable wheels, 2 levers for attendant

Item	Article-No:	Pc	Description
6.4		0 2	view page drive wheel for pressure/drum brake Code 680; Pressure brake additionally for driver
-		0 0	view page pressure brake Code 706; Drum brakes for detachable wheels, 2 levers for attendant
6.3	206 227 710	2	Floating axle with copunternut
6.9	5 006 406	1	Brake shield right asmb.
6.9a	5 006 407	1	Brake shield left asmb.
6.9.1	205 901 800	2	Brake blocks with tension spring
6.6	206 662 100	2	Bowden cable, complete
6.6	206 662 300	2	Bowden cable, complete ->(for code 502)
6.7	1 061 553	2	Handgrip for tube D=22 mm L=108 mm - one side open ->(for Code 685/687/706/707)
6.5	206 227 500	2	Adapter with hexagon nut
6.8	8 401 828	2	Operating lever with detent pawl

Sub Unit: Code 706; Drum brakes for detachable wheels, 2 levers for attendant

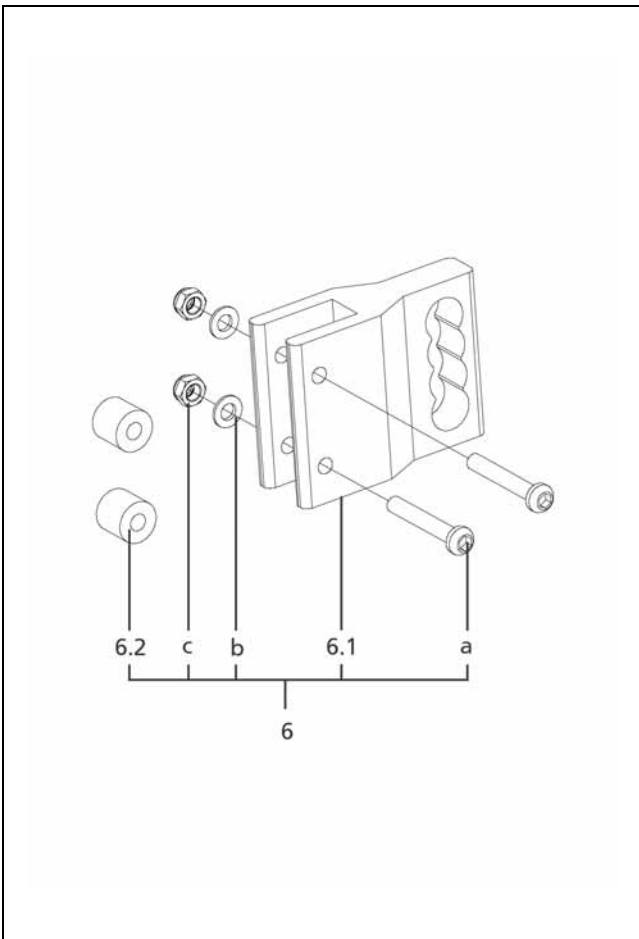
Item	Article-No:	Pc	Description
a	207 300 300	2	Filister head tapping screw, DIN 7981-B4,8x19-St A3T,black
b	205 017 300	2	Fastening clamp
d	207 330 600	2	Washer DIN 125 B13
e	207 322 200	2	Locknut DIN 980/8 M12x1,5-5 A3T
-	1 064 264	2	Grip extension asmb. 1 pair Code 410-706
-	207 330 100	2	Washer DIN 125-B5,3 St A3T
-	207 320 100	4	Locknut,DIN 980/8,M6, A3T
-	207 330 200	6	Washer,DIN 125-B6,4 St. A3T
-	205 528 900	2	Spring stop hexagon nut,M6, NO.SSN.003
-	207 300 200	4	Cheese head screw,DIN 912 8.8 M5x12
-	207 330 300	2	Washer DIN 125 - B8,4 ST A3T
-	5 006 408	1	Refit kit to Code 651/685-706 (note wheels separately !!!)
-	5 006 409	1	Refit kit to Code 651-502/706 (note wheels separately !!!)

EUROCHAIR AVANTI / a
Component unit: Chassis



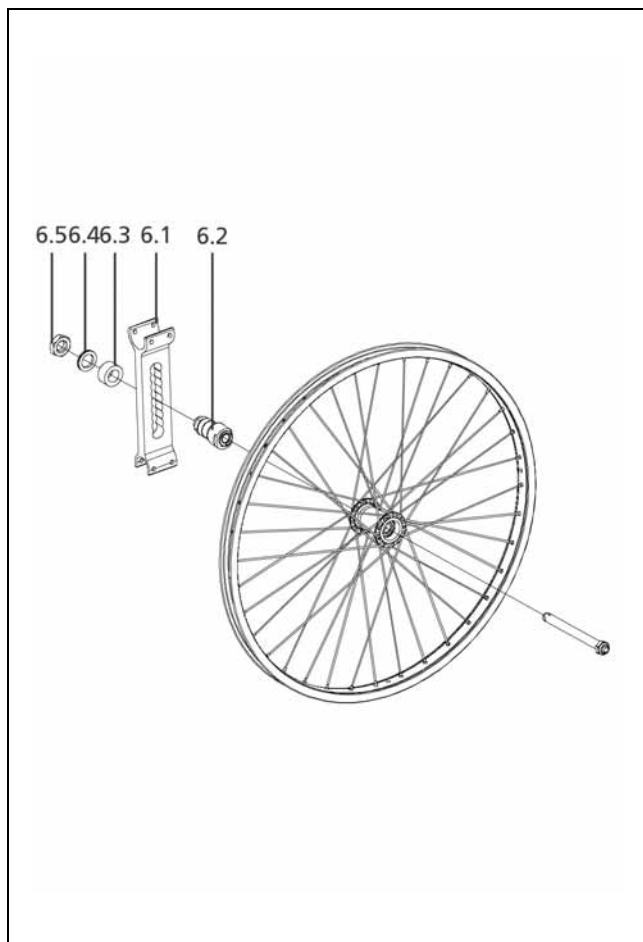
Sub Unit: Code 747; Shunting castors combined with removable wheels, without brakes

Item	Article-No:	Pc	Description
-	1 058 151	1	Shunting castors Code 747 unbraked - 1 pair
6.1	1 058 150	2	Shunting castor cpl. (without receptacle)
6.1.1	5 005 218	2	Wheel, assembled,80x24,24mm
6.2	1 058 146	2	Shunting castor receptacle
6.3	1 055 240	4	Special screw M6X33 8.8 A3T
a	207 380 300	4	Filister head screw, DIN 7380 M 6x40-10.9
b	207 330 200	8	Washer,DIN 125-B6,4 St. A3T
c	207 320 100	4	Locknut,DIN 980/8,M6, A3T
d	1 057 081	2	Steering wheel bolt lens head and hex socket L=33mm D=8mm
e	207 330 300	4	Washer DIN 125 - B8,4 ST A3T
f	209 005 400	2	Filister flat head screw, M6x12



Sub Unit: Code 880; Wheelbase extension 4cm

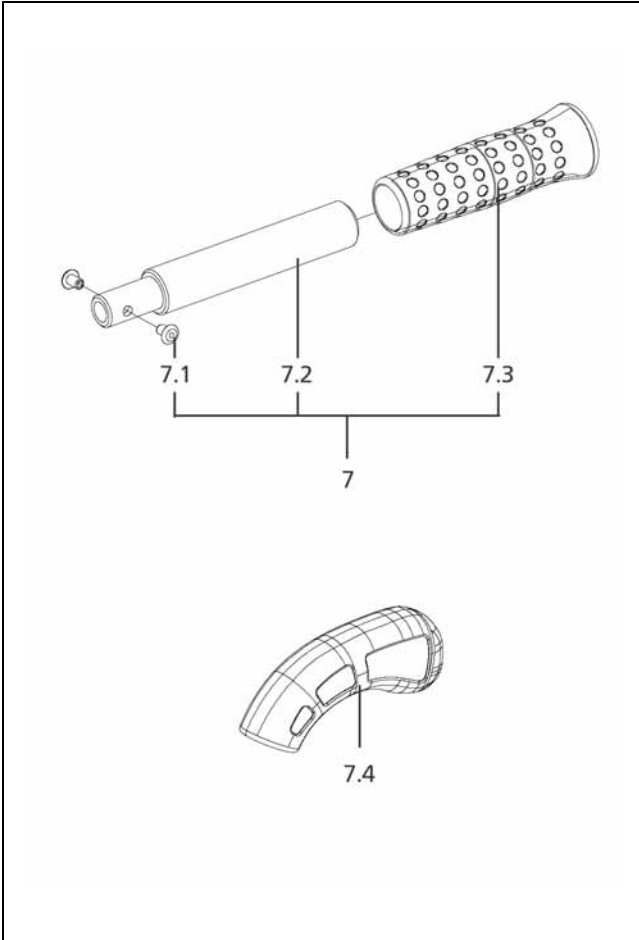
Item	Article-No:	Pc	Description
6	1 064 884	2	Wheel base extension Code 880 1 pair
6.1	1 064 883	2	Wheel base extension (1 pc w/o assembly parts)
6.2	1 057 860	4	DISTANCER SLEEVE
a	205 597 400	4	Filister head screw M6x40 10.9 A3T
b	207 330 200	4	Washer,DIN 125-B6,4 St. A3T
c	207 320 100	4	Locknut,DIN 980/8,M6, A3T



Sub Unit: Code 907; Negative camber adjusting set

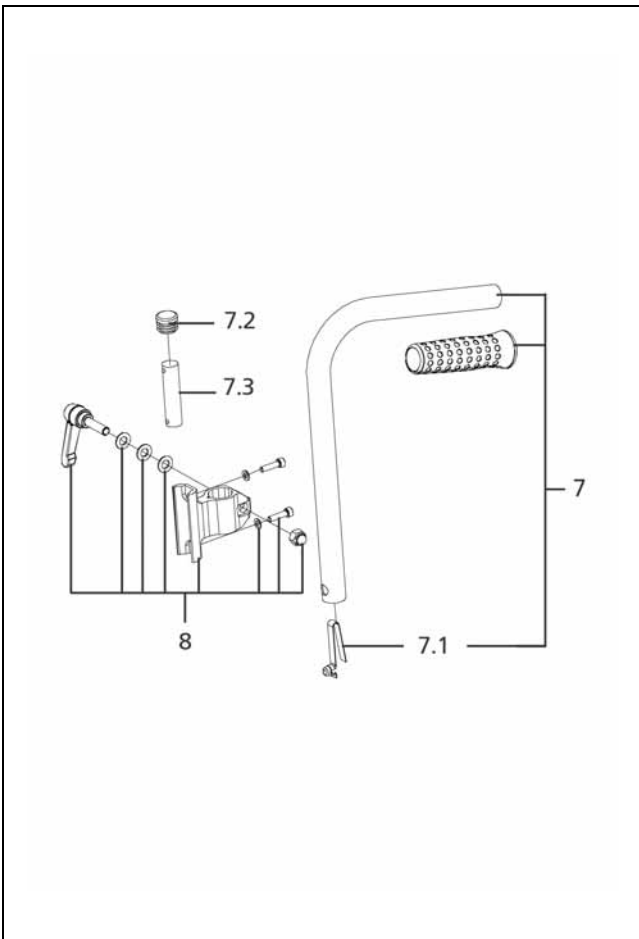
Item	Article-No:	Pc	Description
6.2	1 064 905	2	3-degree camber adapter
6.3	1 064 906	2	Distancer sleeve
6.4	205 694 500	2	Safety washer for M18
6.5	207 328 400	2	hexagon nut M18X1 17H height=8 A3T TL 4466
Code 907; Negative camber adjusting set			
-	1 064 912	1	3-degree wheel camber set Code 907
6.1	1 064 903	2	Vario plate (for code 907)
Code 351-907; short frame length (C) – Negative camber adjusting set			
-	1 064 913	1	3-degree wheel camber set Code 351-907
6.1	1 064 904	2	Vario plate (for code 351-907)

EUROCHAIR AVANTI / a
Component unit: Back support



Sub Unit: Pushing handle extensions

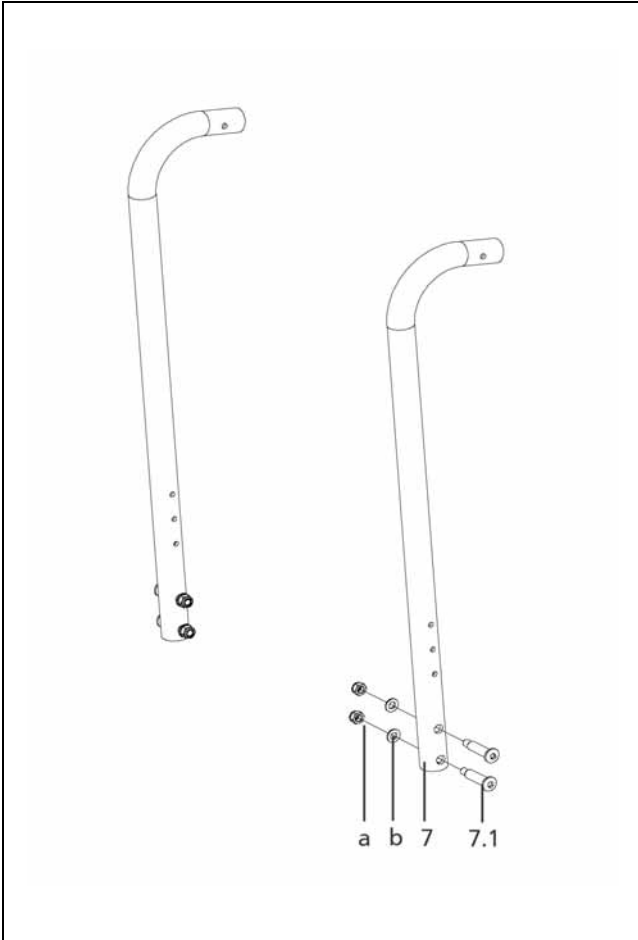
Item	Article-No:	Pc	Description
Short grip			
7.4	1 051 502	2	Handle
7.1	205 572 100	4	POP blind rivet D=4.8x11 black
7.3	1 061 553	2	Handgrip for tube D=22 mm L=108 mm - one side open
Pushing handle extension - pressure brake			
7	1 064 256	1	Grip extension asmb. 1 pair Code 410
7.2	1 063 563	2	Grip extension tube (for Code 410 w/o grip)
Pushing handle extension - drum brake			
7	1 064 264	1	Grip extension asmb. 1 pair Code 410-706
7.2	1 064 263	2	Grip extension tube (for Code 410-706 w/o grip)



Sub Unit: Code 502; Height adjustable push handles

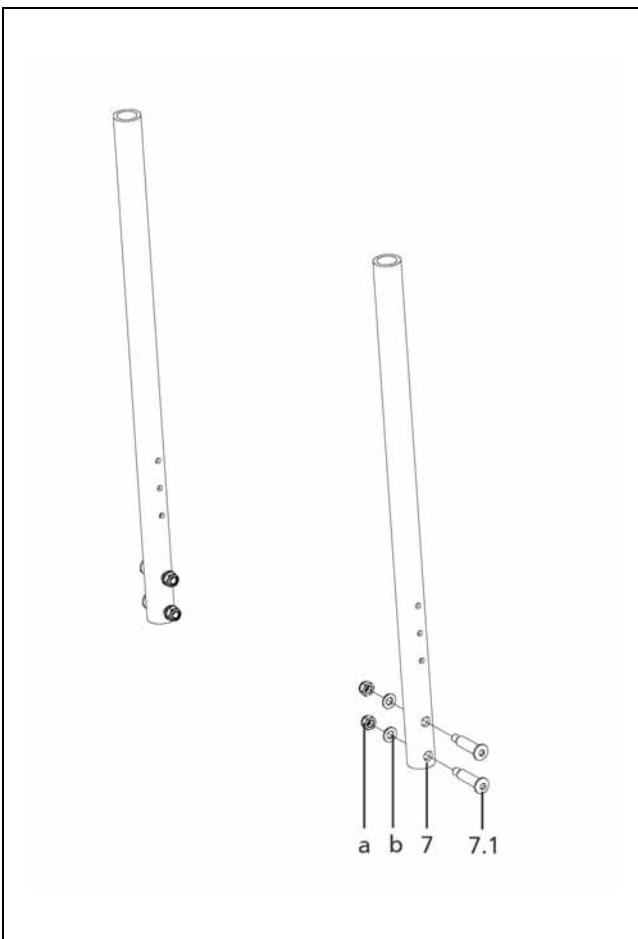
Item	Article-No:	Pc	Description
7	5 006 395	1	Pushing tube asmb. (1 piece) For Code 502
-	1 061 553	2	Handgrip for tube D=22 mm L=108 mm - one side open
7	5 006 410	1	Pushing tube asmb. (1 piece) for Code 502-706 ->(with Code 706)
7.1	1 000 709	2	Snap spring
7.2	205 049 100	2	Plastic slide GL 20, black
7.3	1 042 515	2	Jack plug
8	5 005 727	1	Fastening, assembled Code 502
-	1 032 982	2	Push handle fastening
-	205 111 800	2	KIPP clamping lever.M8x30, black, 1920 803 001 (C.502/503)
-	207 123 000	4	Cheese head screw,DIN 912 M5x20 8.8 A3K VC3 coated
-	207 330 100	4	Washer DIN 125-B5,3 St A3T
-	207 324 100	2	Locking cap nut DIN 986/5 M8 A3T
-	207 330 300	6	Washer DIN 125 - B8,4 ST A3T
-	205 049 100	2	Plastic slide GL 20, black
->Code 814 - 502; Horizontal pushing rod – Height adjustable pushing handles only available in customised version.			

EUROCHAIR AVANTI / a
Component unit: Back support



Sub Unit: Code 621; Back support without lumbar bend

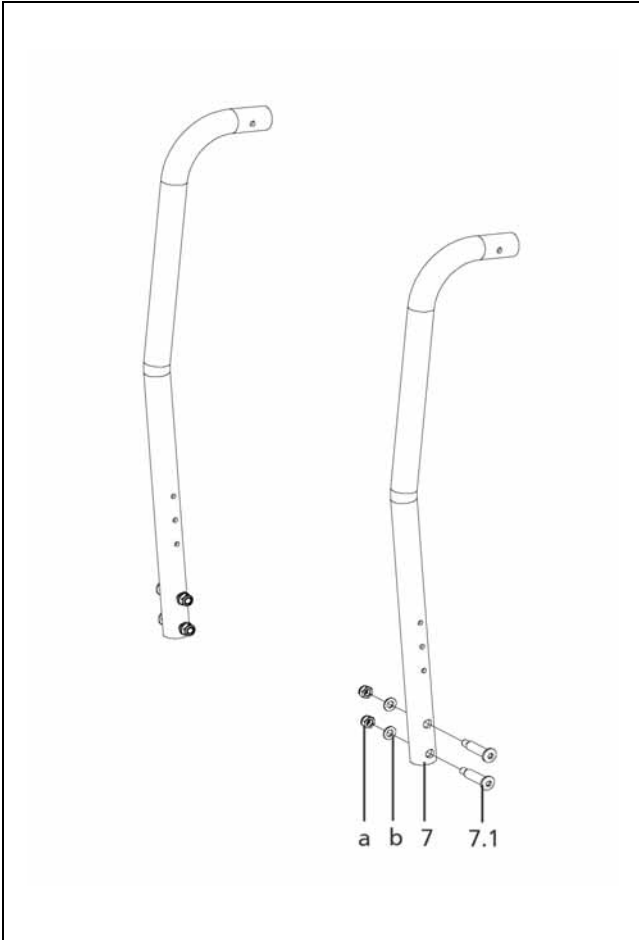
Item	Article-No:	Pc	Description
7.1	1 056 792	4	SHOULDER SCREW M 6 HEX SOCKET 10.9 A3T (SPECIAL SCREW)
a	207 320 100	4	Locknut,DIN 980/8,M6, A3T
b	207 330 200	4	Washer,DIN 125-B6,4 St. A3T
Code 434; Back support height 34cm			
-	1 063 576	1	Back tubes asmb. 1 pair Code 434-621
7	1 063 568	2	Backrest tube Code 434-621
Code 438; Back support height 38cm			
-	1 063 577	1	Back tubes asmb. 1 pair Code 438-621
7	1 063 571	2	Backrest tube Code 438-621
Code 442; Back support height 42cm			
-	1 063 578	1	Back tubes asmb. 1 pair Code 442-621
7	1 063 572	2	Backrest tube Code 442-621



Sub Unit: Code 502-621; Height adjustable push handles without lumbar support

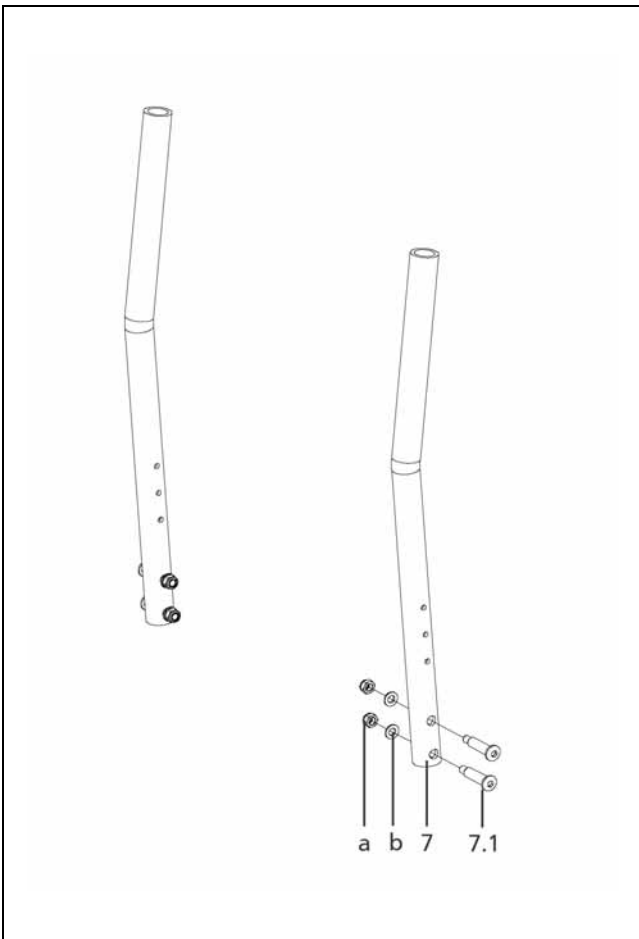
Item	Article-No:	Pc	Description
7.1	1 056 792	4	SHOULDER SCREW M 6 HEX SOCKET 10.9 A3T (SPECIAL SCREW)
a	207 320 100	4	Locknut,DIN 980/8,M6, A3T
b	207 330 200	4	Washer,DIN 125-B6,4 St. A3T
Code 434; Back support height 34cm			
-	1 063 588	1	Back tubes asmb. 1 pair Code 434-502-621
7	1 063 582	2	Backrest tube Code 434-502-621
Code 438; Back support height 38cm			
-	1 063 589	1	Back tubes asmb. 1 pair Code 438-502-621
7	1 063 583	2	Backrest tube Code 438-502-621
Code 442; Back support height 42cm			
-	1 063 590	1	Back tubes asmb. 1 pair Code 442-502-621
7	1 063 584	2	Backrest tube Code 442-502-621

EUROCHAIR AVANTI / a
Component unit: Back support



Sub Unit: Code 622; Back with lumbar support

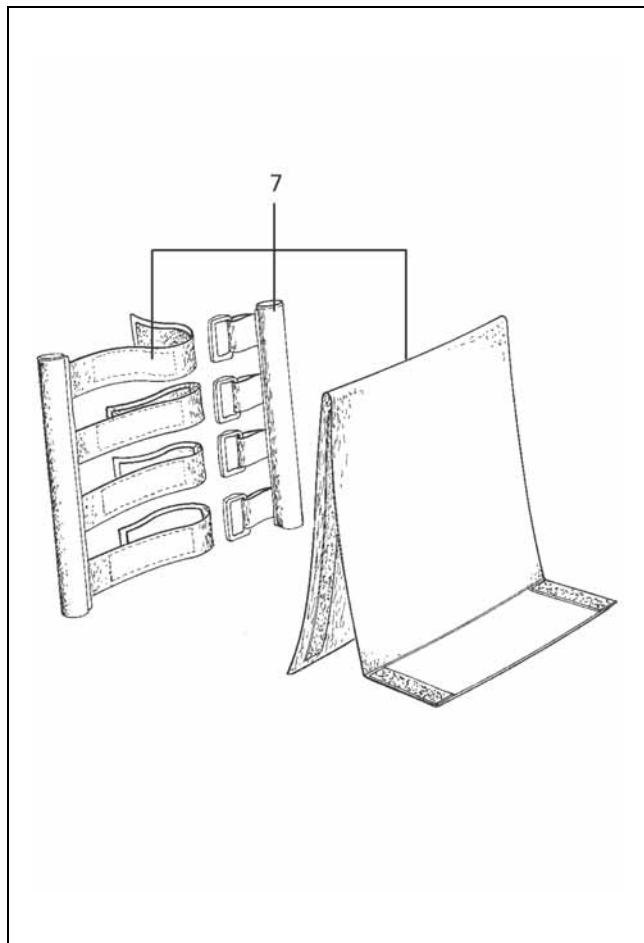
Item	Article-No:	Pc	Description
7.1	1 056 792	4	SHOULDER SCREW M 6 HEX SOCKET 10.9 A3T (SPECIAL SCREW)
a	207 320 100	4	Locknut,DIN 980/8,M6, A3T
b	207 330 200	4	Washer,DIN 125-B6,4 St. A3T
Code 434; Back support height 34cm			
-	1 063 579	1	Back tubes asmb. 1 pair Code 434-622
7	1 063 575	2	Backrest tube Code 434-622
Code 438; Back support height 38cm			
-	1 063 580	1	Back tubes asmb. 1 pair Code 438-622
7	1 063 574	2	Backrest tube Code 438-622
Code 442; Back support height 42cm			
-	1 063 581	1	Back tubes asmb. 1 pair Code 442-622
7	1 063 573	2	Backrest tube Code 442-622



Sub Unit: Code 502-622; Height adjustable push handles with lumbar support

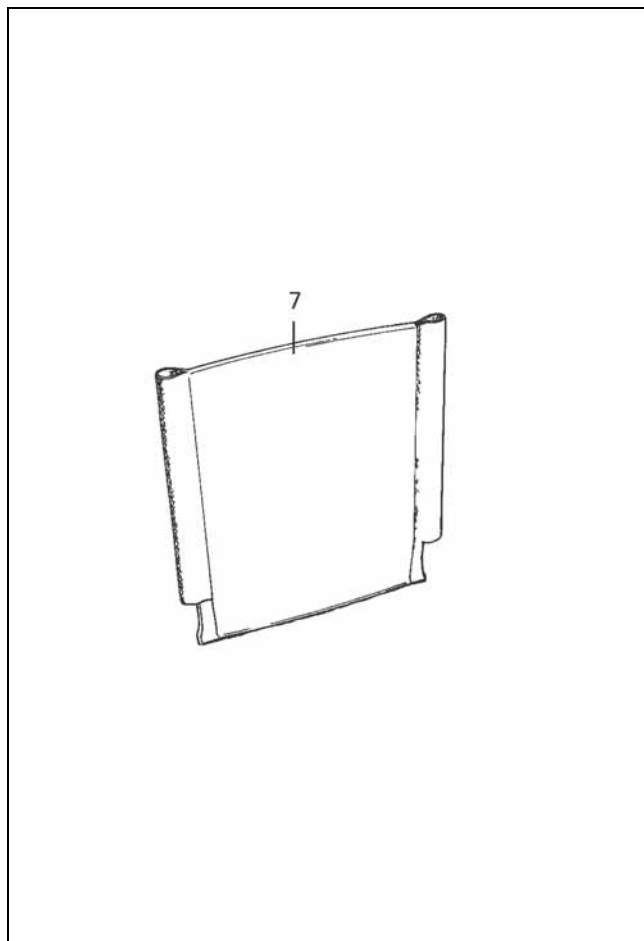
Item	Article-No:	Pc	Description
7.1	1 056 792	4	SHOULDER SCREW M 6 HEX SOCKET 10.9 A3T (SPECIAL SCREW)
a	207 320 100	4	Locknut,DIN 980/8,M6, A3T
b	207 330 200	4	Washer,DIN 125-B6,4 St. A3T
Code 434; Back support height 34cm			
-	1 063 591	1	Back tubes asmb. 1 pair Code 434-502-622
7	1 063 585	2	Backrest tube Code 434-502-622
Code 438; Back support height 38cm			
-	1 063 592	1	Back tubes asmb. 1 pair Code 438-502-622
7	1 063 586	2	Backrest tube Code 438-502-622
Code 442; Back support height 42cm			
-	1 063 593	1	Back tubes asmb. 1 pair Code 442-502-622
7	1 063 587	2	Backrest tube Code 442-502-622

EUROCHAIR AVANTI / a
Component unit: Back support



Sub Unit: Code 575; Adjustable back

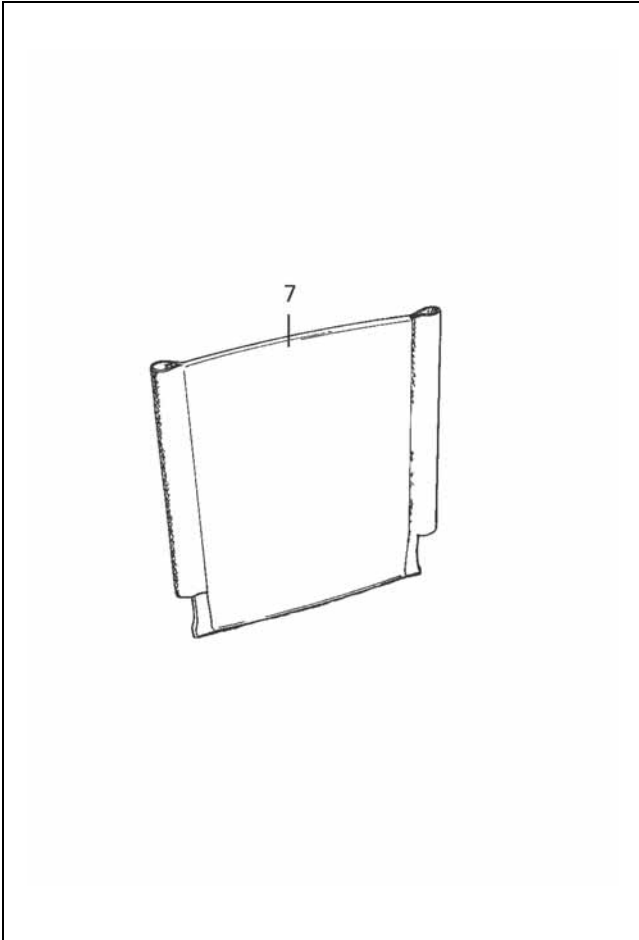
Item	Article-No:	Pc	Description
-	207 317 500	2	Filister head tapping screw, DIN 7981, B 4,8x22 Code 434; Back support height 34cm
7	1 064 246	1	Adjustable backrest belt Code 32/34/36-434-575 ->(for seat width 32 - 36cm) Code 438; Back support height 38cm
7	1 064 242	1	Adjustable backrest belt Code 32/34/36-438-575 ->(for seat width 32 - 36cm)
7	1 064 243	1	Adjustable backrest belt Code 38/40/43-438-575 ->(for seat width 38-43cm)
7	1 064 244	1	Adjustable backrest belt Code 46/48/350-438-575 ->(valid for seat width 46 - 50cm) Code 442; Back support height 42cm
7	1 063 799	1	Adjustable backrest belt Code 38/40/43-442-575 ->(for seat width 38-43cm)
7	1 064 240	1	Adjustable backrest belt Code 46/48/350-442-575 ->(valid for seat width 46 - 50cm)
7	1 064 241	1	Adjustable backrest belt Code 53/358-442-575 ->(valid for seat width 53 - 58cm)



Sub Unit: Back straps

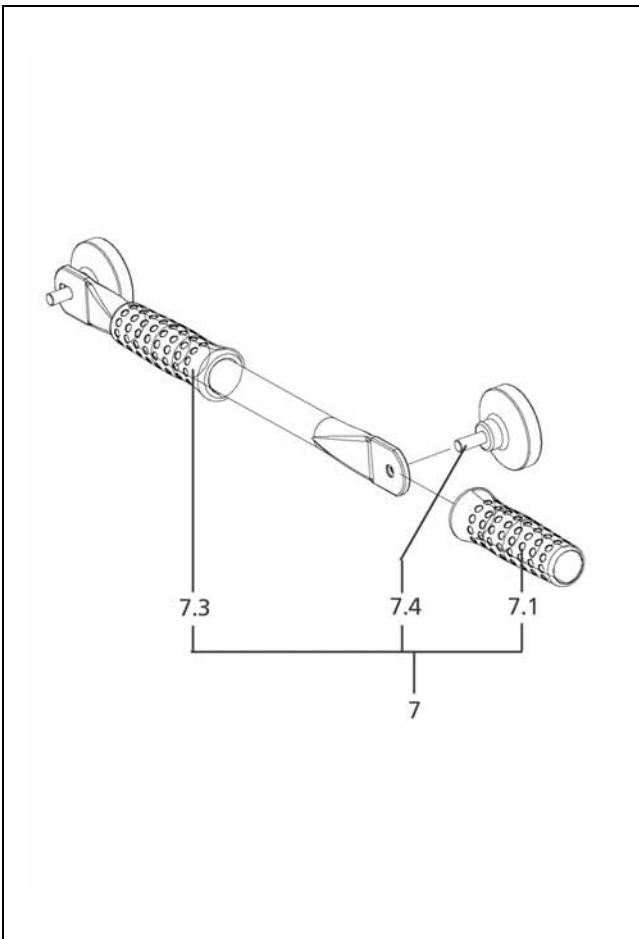
Item	Article-No:	Pc	Description
-	207 317 500	2	Filister head tapping screw, DIN 7981, B 4,8x22 Code 434; Back support height 34cm
7	1 063 765	1	Back support belt Code 32-434-621/622
7	1 063 766	1	Back support belt Code 34-434-621/622
7	1 063 767	1	Back support belt Code 36-434-621/622 Code 438; Back support height 38cm
7	1 063 594	1	Back support belt Code 32-438-621/622
7	1 063 595	1	Back support belt Code 34-438-621/622
7	1 063 596	1	Back support belt Code 36-438-621/622
7	1 063 597	1	Back support belt Code 38-438-621/622
7	1 063 598	1	Back support belt Code 40-438-621/622
7	1 063 599	1	Back support belt Code 43-438-621/622
7	1 063 760	1	Back support belt Code 46-438-621/622
7	1 063 761	1	Back support belt Code 48-438-621/622
7	1 063 762	1	Back support belt Code 350-438-621/622
7	1 063 763	1	Back support belt Code 53-438-621/622
7	1 063 764	1	Back support belt Code 358-438-621/622

EUROCHAIR AVANTI / a
Component unit: Back support



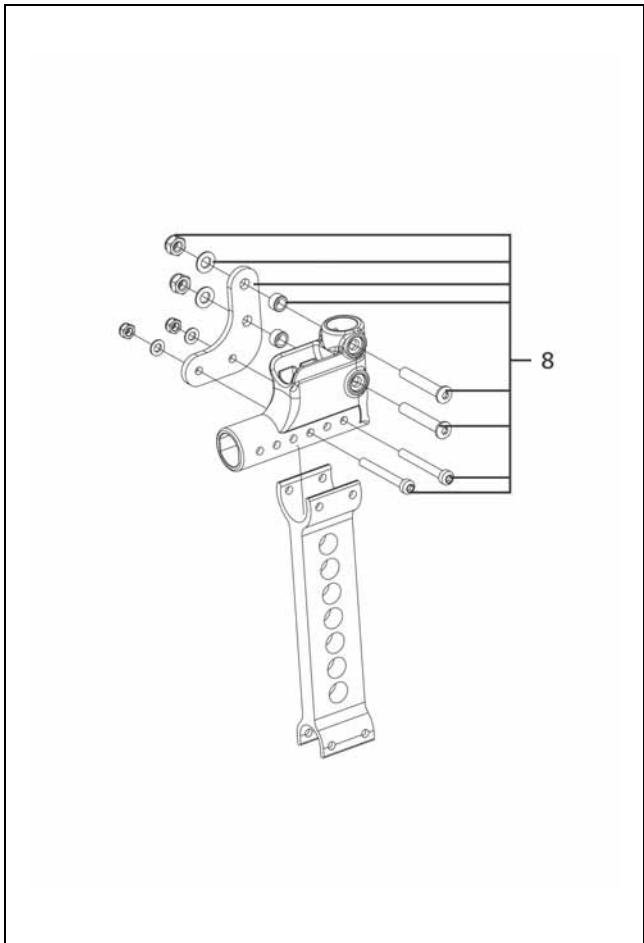
Sub Unit: Back straps

Item	Article-No:	Pc	Description
Code 442: Back support height 42cm			
7	1 057 096	1	BACK SUPPORT CODE 38-442-621/622
7	1 057 097	1	BACK SUPPORT CODE 40-442-621/622
7	1 057 098	1	BACK SUPPORT CODE 43-442-621/622
7	1 057 099	1	BACK SUPPORT CODE 46-442-621/622
7	1 057 100	1	BACK SUPPORT CODE 48-442-621/622
7	1 057 101	1	BACK SUPPORT CODE 350-442-621/622
7	1 057 939	1	BACK SUPPORT CODE 53-442-621/622
7	1 061 455	1	Back support belt Code 358-442-621/622



Sub Unit: Code 814; Horizontal pushing rod

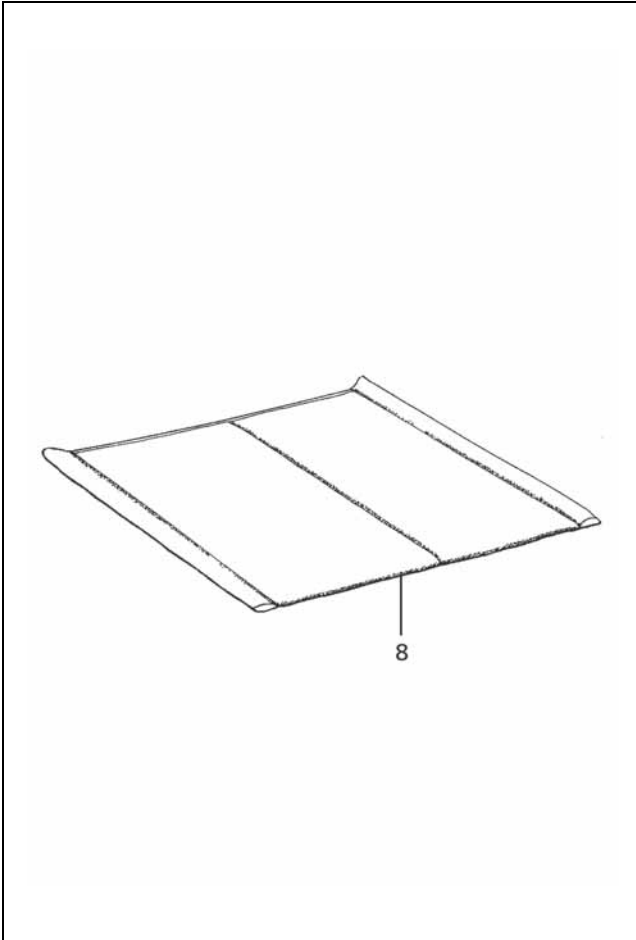
Item	Article-No:	Pc	Description
7.1	1 061 552	2	Handgrip for tube D=22 mm L=108 mm - open both sides
7.4	205 021 500	2	Handwheel with screw M8x20
7	1 066 459	1	Horizontal pushing rod Code 32-814
7.3	1 066 456	1	Pushing tube cpl.
7	1 066 458	1	Horizontal pushing rod Code 34-814
7.3	1 066 455	1	Pushing tube cpl.
7	1 066 457	1	Horizontal pushing rod Code 36-814
7.3	1 066 454	1	Pushing tube cpl.
7	1 066 463	1	Horizontal pushing rod Code 38-814
7.3	1 063 490	1	Pushing tube cpl.
7	1 066 464	1	Horizontal pushing rod Code 40-814
7.3	1 063 491	1	Pushing tube cpl.
7	1 066 465	1	Horizontal pushing rod Code 43-814
7.3	1 063 492	1	Pushing tube cpl.
7	1 066 466	1	Horizontal pushing rod Code 46-814
7.3	1 063 493	1	Pushing tube cpl.
7	1 066 467	1	Horizontal pushing rod Code 48-814
7.3	1 063 494	1	Pushing tube cpl.
7	1 066 468	1	Horizontal pushing rod Code 350-814
7.3	1 063 495	1	Pushing tube cpl.
7	1 066 469	1	Horizontal pushing rod Code 53-814
7.3	1 063 496	1	Pushing tube cpl.
7	1 066 470	1	Horizontal pushing rod Code 358-814
7.3	1 063 497	1	Pushing tube cpl.



Sub Unit: Code 903; reinforced back tube receptacle

Item	Article-No:	Pc	Description
8	1 057 537	1	Back tube receptacle enforcem. 1 set

EUROCHAIR AVANTI / a
Component unit: Seat



Sub Unit: Code 351; Seatbelts for short frame length (C)

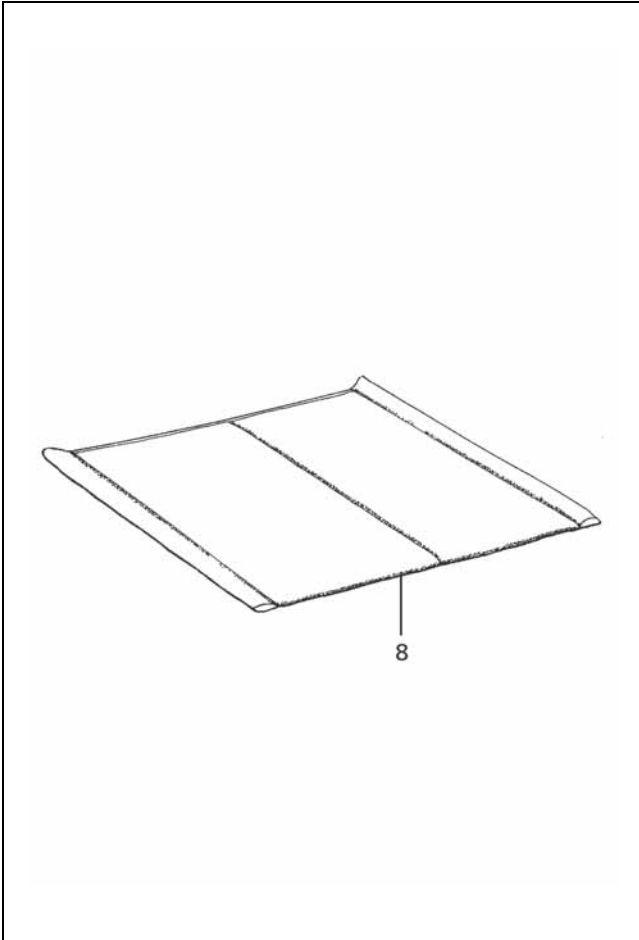
Item	Article-No:	Pc	Description
			Code 393; Seatbelt depth 33cm
			Code 32; Seat width 32cm
-	1 064 272	1	Seat Code 32-393
8	1 064 266	1	Seat strap Code 32-393
			Code 34; Seat width 34cm
-	1 064 273	1	Seat Code 34-393
8	1 064 267	1	Seat strap Code 34-393
			Code 36; Seat width 36cm
-	1 064 274	1	Seat Code 36-393
8	1 064 268	1	Seat strap Code 36-393

Sub Unit: Code 351; Seatbelts for short frame length (C)

Item	Article-No:	Pc	Description
			Code 610; Seatbelt depth 35cm
			Code 32; Seat width 32cm
-	1 064 275	1	Seat Code 32-610
8	1 064 269	1	Seat strap Code 32-610
			Code 34; Seat width 34cm
-	1 064 276	1	Seat Code 34-610
8	1 064 270	1	Seat strap Code 34-610
			Code 36; Seat width 36cm
-	1 064 277	1	Seat Code 36-610
8	1 064 271	1	Seat strap Code 36-610

Sub Unit: Code 351; Seatbelts for short frame length (C)

Item	Article-No:	Pc	Description
			Code 368; seatbelt depth 38cm
			Code 32; Seat width 32cm
-	1 064 278	1	Seat Code 32-368
8	1 046 990	1	Seat strap Code 32-368
			Code 34; Seat width 34cm
-	1 064 279	1	Seat Code 34-368
8	1 046 995	1	Seat strap Code 34-368
			Code 36; Seat width 36cm
-	1 064 400	1	Seat Code 36-368
8	1 047 000	1	Seat strap Code 36-368



Sub Unit: Code 352; Seatbelts for medium frame length (D)

Item	Article-No:	Pc	Description
			Code 615; seatbelt depth 40cm
			Code 38; Seat width 38cm
-	1 064 403	1	Seat Code 38-615
8	5 005 508	1	Seat sling / upholstery complete, Code 38-615
			Code 40; Seat width 40cm
-	1 064 404	1	Seat Code 40-615
8	5 005 509	1	Seat sling / upholstery complete, Code 40-615
			Code 43; Seat width 43cm
-	1 064 405	1	Seat Code 43-615
8	5 005 510	1	Seat sling / upholstery complete, Code 43-615
			Code 46; Seat width 46cm
-	1 064 406	1	Seat Code 46-615
8	5 005 511	1	Seat sling / upholstery complete, Code 46-615
			Code 48; Seat width 48cm
-	1 064 407	1	Seat Code 48-615
8	5 005 549	1	Seat sling / upholstery complete, Code 48-615
			Code 50; Seat width 50cm
-	1 064 408	1	Seat Code 350-615
8	5 005 550	1	Seat sling / upholstery complete, Code 350-615

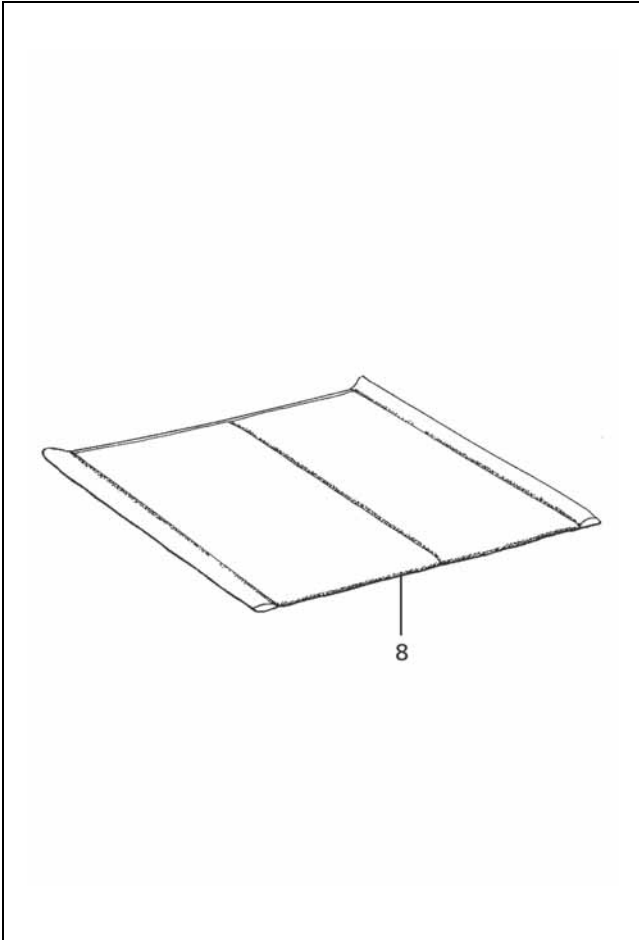
Sub Unit: Code 352; Seatbelts for medium frame length (D)

Item	Article-No:	Pc	Description
			Code 788; seatbelt depth 43cm
			Code 38; Seat width 38cm
-	1 064 409	1	Seat Code 38-788
8	5 005 512	1	Seat sling / upholstery complete, Code 38-788
			Code 40; Seat width 40cm
-	1 064 410	1	Seat Code 40-788
8	5 005 513	1	Seat sling / upholstery complete, Code 40-788
			Code 43; Seat width 43cm
-	1 064 411	1	Seat Code 43-788
8	5 005 514	1	Seat sling / upholstery complete, Code 43-788
			Code 46; Seat width 46cm
-	1 064 412	1	Seat Code 46-788
-	5 005 515	1	Seat sling / upholstery complete, Code 46-788
			Code 48; Seat width 48cm
-	1 064 413	1	Seat Code 48-788
8	5 005 551	1	Seat sling / upholstery complete, Code 48-788
			Code 50; Seat width 50cm
-	1 064 414	1	Seat Code 350-788
8	5 005 552	1	Seat sling / upholstery complete, Code 350-788

Sub Unit: Code 352; Seatbelts for medium frame length (D)

Item	Article-No:	Pc	Description
			Code 619; seatbelt depth 46cm
			Code 38; Seat width 38cm
-	1 064 415	1	Seat Code 38-619
8	5 005 516	1	Seat sling / upholstery complete, Code 38-619
			Code 40; Seat width 40cm
-	1 064 416	1	Seat Code 40-619
8	5 005 517	1	Seat sling / upholstery complete, Code 40-619
			Code 43; Seat width 43cm
-	1 064 417	1	Seat Code 43-619
8	5 005 518	1	Seat sling / upholstery complete, Code 43-619
			Code 46; Seat width 46cm
-	1 064 418	1	Seat Code 46-619
8	5 005 519	1	Seat sling / upholstery complete, Code 46-619
			Code 48; Seat width 48cm
-	1 064 419	1	Seat Code 48-619
8	5 005 553	1	Seat sling upholstery complete code 48-619
			Code 50; Seat width 50cm
-	1 064 420	1	Seat Code 350-619
8	5 005 554	1	Seat sling upholstery complete code 350-619

EUROCHAIR AVANTI / a
Component unit: Seat



Sub Unit: Code 353; Seatbelts for long frame length (E)

Item	Article-No:	Pc	Description
			Code 787; seatbelt depth 48cm
			Code 48; Seat width 48cm
-	1 064 424	1	Seat Code 48-787
8	1 047 760	1	Seat strap Code 48-787
			Code 50; Seat width 50cm
-	1 064 425	1	Seat Code 350-787
8	1 047 761	1	Seat strap Code 350-787
			Code 53; Seat width 53cm
-	1 064 426	1	Seat Code 53-787
8	1 047 762	1	Seat strap Code 53-787
			Code 358; Seat width 58 cm
-	1 064 427	1	Seat Code 358-787
8	1 064 421	1	Seat strap Code 358-787

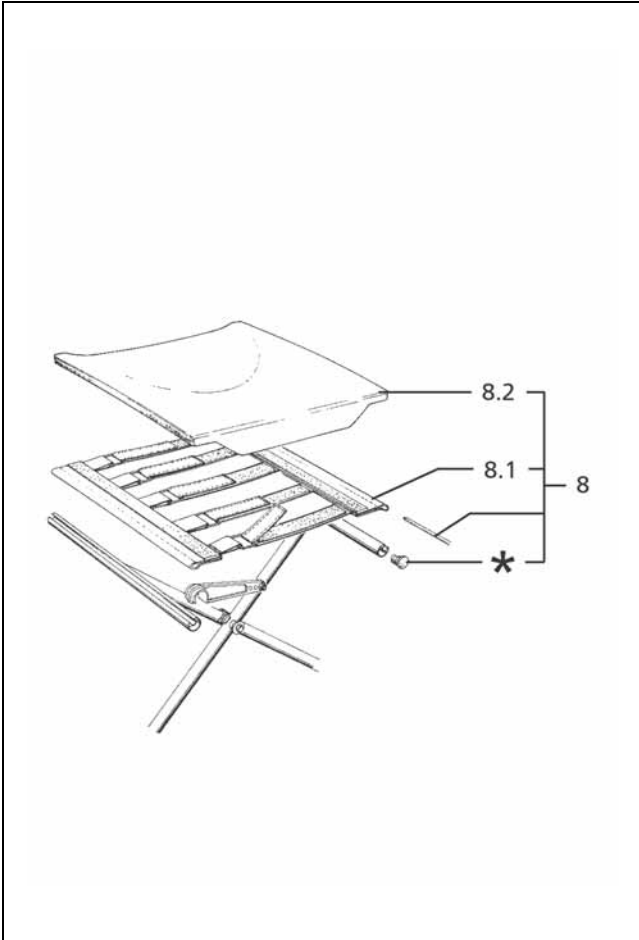
Sub Unit: Code 353; Seatbelts for long frame length (E)

Item	Article-No:	Pc	Description
			Code 792; Seatbelt depth 53cm
			Code 48; Seat width 48cm
-	1 064 428	1	Seat Code 48-792
8	1 047 767	1	Seat strap Code 48-792
			Code 50; Seat width 50cm
-	1 064 429	1	Seat Code 350-792
8	1 047 768	1	Seat strap Code 350-792
			Code 53; Seat width 53cm
-	1 064 430	1	Seat Code 53-792
8	1 047 769	1	Seat strap Code 53-792
			Code 358; Seat width 58 cm
-	1 064 431	1	Seat Code 358-792
8	1 064 422	1	Seat strap Code 358-792

Sub Unit: Code 353; Seatbelts for long frame length (E)

Item	Article-No:	Pc	Description
			Code 793; Seatbelt depth 53cm
			Code 48; Seat width 48cm
-	1 064 432	1	Seat Code 48-793
8	1 047 774	1	Seat strap Code 48-793
			Code 50; Seat width 50cm
-	1 064 433	1	Seat Code 350-793
8	1 047 775	1	Seat strap Code 350-793
			Code 53; Seat width 53cm
-	1 064 434	1	Seat Code 53-793
8	1 047 776	1	Seat strap Code 53-793
			Code 358; Seat width 58 cm
-	1 064 435	1	Seat Code 358-793
8	1 064 423	1	Seat strap Code 358-793

EUROCHAIR AVANTI / a
Component unit: Seat



Sub Unit: Code 960; Ergoform seat unit, fixed seat

Item	Article-No:	Pc	Description
*	5 005 457	1	Small parts set, plastic plugs
8.1	1 046 717	1	Seat sling/upholstery f. code 615/619-1.850 / 619/788-1.845
-	1 054 585	1	Seatbelt Code 53-615/619/788-960
Code 615; seatbelt depth 40cm			
8	1 041 516	1	Fixed seat, ergoform Code 38-615-960
8.2	1 041 515	1	Seat cushion, ergoform Code 38-615-960
8	1 041 523	1	Fixed seat, ergoform Code 40-615-960
8.2	1 041 525	1	Seat cushion, ergoform Code 40-615-960
8	1 042 183	1	Fixed seat ergoform code 43-615-960
8.2	1 042 187	1	Seat cushion ergoform code 43-615-960
8	1 042 195	1	Fixed seat, ergoform Code 46-615-960
8.2	1 042 197	1	Seat cushion, ergoform Code 46-615-960
8	1 042 204	1	Fixed seat, ergoform Code 48-615-960
8.2	1 042 208	1	Seat cushion, ergoform Code 48-615-960
8	1 042 216	1	Fixed seat, ergoform Code 350-615-960
8.2	1 042 218	1	Seat cushion, ergoform Code 350-615-960
8	1 054 586	1	Fixed seat ERGOFORM Code 53-615-960
8.2	1 054 579	1	Seat cushion ERGOFORM Code 53-615-960

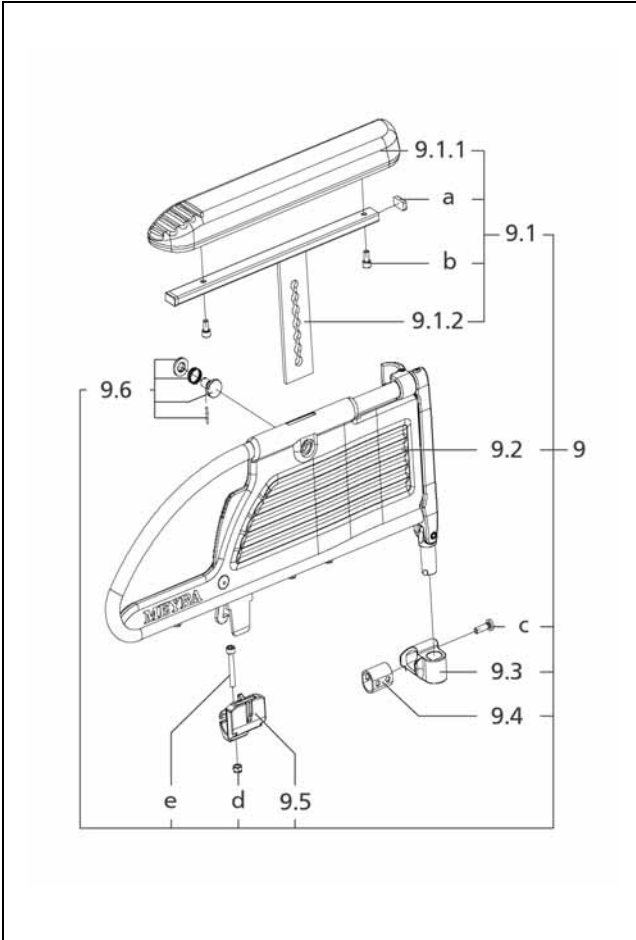
Sub Unit: Code 960; Ergoform seat unit, fixed seat

Item	Article-No:	Pc	Description
Code 788; seatbelt depth 43cm			
8	1 041 517	1	Fixed seat, ergoform Code 38-788-960
8.2	1 041 518	1	Seat cushion, ergoform Code 38-788-960
8	1 041 526	1	Fixed seat, ergoform Code 40-788-960
8.2	1 042 179	1	Seat cushion, ergoform Code 40-788-960
8	1 042 189	1	Fixed seat, ergoform Code 43-788-960
8.2	1 042 191	1	Seat cushion, ergoform Code 43-788-960
8	1 042 198	1	Fixed seat, ergoform Code 46-788-960
8.2	1 042 200	1	Seat cushion, ergoform Code 46-788-960
8	1 042 210	1	Fixed seat, ergoform Code 48-788-960
8.2	1 042 212	1	Seat cushion, ergoform Code 48-788-960
8	1 042 219	1	Fixed seat, ergoform Code 350-788-960
8.2	1 042 221	1	Seat cushion, ergoform Code 350-788-960
8	1 054 587	1	Fixed seat ERGOFORM Code 53-788-960
8.2	1 054 580	1	Seat cushion ERGOFORM Code 53-788-960

Sub Unit: Code 960; Ergoform seat unit, fixed seat

Item	Article-No:	Pc	Description
Code 619; seatbelt depth 46cm			
8	1 041 520	1	Fixed seat, ergoform Code 38-619-960
8.2	1 041 522	1	Seat cushion, ergoform Code 38-619-960
8	1 042 180	1	Fixed seat, ergoform Code 40-619-960
8.2	1 042 182	1	Seat cushion, ergoform Code 40-619-960
8	1 042 192	1	Fixed seat, ergoform Code 43-619-960
8.2	1 042 194	1	Seat cushion, ergoform Code 43-619-960
8	1 042 201	1	Fixed seat, ergoform Code 46-619-960
8.2	1 042 203	1	Seat cushion, ergoform Code 46-619-960
8	1 042 213	1	Fixed seat, ergoform Code 48-619-960
8.2	1 042 215	1	Seat cushion, ergoform Code 48-619-960
8	1 042 222	1	Fixed seat, ergoform Code 350-619-960
8.2	1 042 224	1	Seat cushion, ergoform Code 350-619-960
8	1 054 588	1	Fixed seat ERGOFORM Code 53-619-960
8.2	1 054 581	1	Seat cushion ERGOFORM Code 53-619-960

EUROCHAIR AVANTI / a
Component unit: Arm support



Sub Unit: Code 21; Arm supports, detachable, large, height adj., cushion

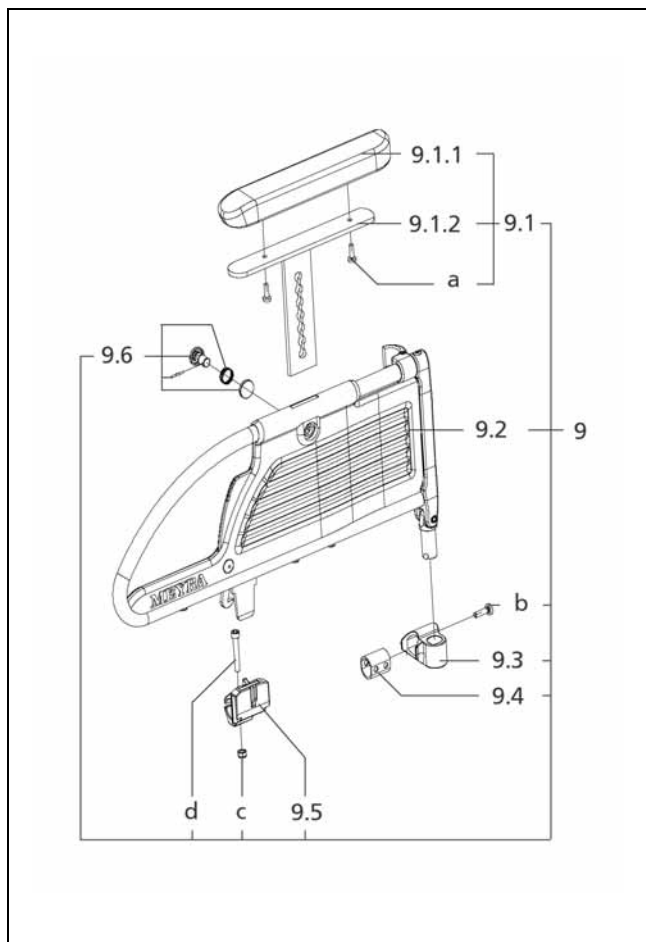
Item	Article-No:	Pc	Description
-	1 064 451	1	Arm supports Code 21 - 1 pair
9	1 057 164	1	Arm support left asmb. Code 21
9a	1 057 174	1	Arm support right asmb.Code 21
9.1	1 056 745	1	Arm support left asmb.
9.1a	1 057 173	1	Arm support right asmb.
9.1.1	1 036 473	1	Armrest, left Code 12
9.1.1a	1 036 479	1	Armrest, right Code 12
9.1.2	1 056 744	1	Arm support pad left cpl.
9.1.2a	1 057 172	1	Arm support pad right cpl.
9.2	1 056 721	1	Arm support left (Inlay w/o locking lever)
9.2a	1 056 722	1	Arm support right (Inlay w/o locking lever)
9.3	1 062 702	1	Bearing block left (Rear arm support receptacle)
9.3a	1 062 703	1	Bearing block right (Rear arm support receptacle)
9.4	1 057 904	2	DISTANCER PROFILE
9.5	1 051 007	2	Side element receiver
9.6	5 006 411	2	Activation button asmb.

Sub Unit: Code 21; Arm supports, detachable, large, height adj., cushion

Item	Article-No:	Pc	Description
-	1 052 922	2	Arm support bracket arm support tube bracket,rear
-	207 304 600	2	Cheese head screw, M4 x 20 DIN 912
-	207 322 600	2	Locknut DIN 985 M 4
a	205 047 900	4	Plastic slide,black,20x10 NO.6202010
b	207 302 300	4	Cheese head screw,M6x12 DIN912 /8.8
c	207 602 900	2	Tapping screw DIN 7516 M6x20
d	207 320 100	2	Locknut,DIN 980/8,M6, A3T
e	207 302 200	2	Cheese head screw DIN 912 M6x40

EUROCHAIR AVANTI / a

Component unit: Arm support



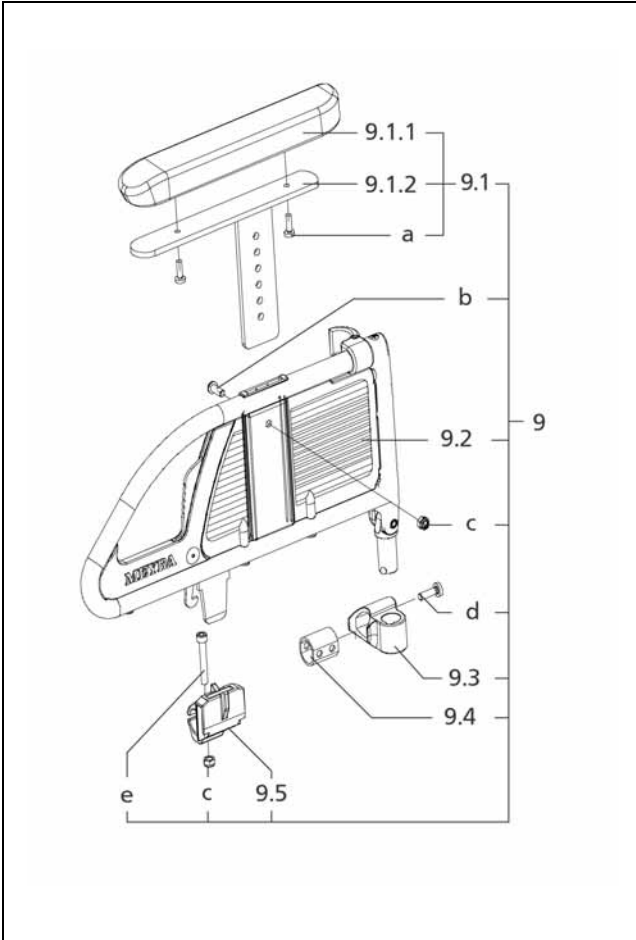
Sub Unit: Code 81; Arm support fixed, height adj.

Item	Article-No:	Pc	Description
-	1 064 449	1	Arm supports Code 81 - 1 pair
9	1 056 720	1	Arm support left asmb
9a	1 056 759	1	Arm support right asmb
9.1	1 056 735	1	Arm support left asmb.
9.1a	1 057 160	1	Arm support right asmb.
9.1.1	1 039 356	1	Armrest, left
9.1.1a	1 039 355	1	Armrest, right
9.1.2	1 056 736	1	Arm support pad left cpl.
9.1.2a	1 056 399	1	Arm support pad right cpl.
9.2	1 056 721	1	Arm support left (Inlay w/o locking lever)
9.2a	1 056 722	1	Arm support right (Inlay w/o locking lever)
9.3	1 062 702	1	Bearing block left (Rear arm support receptacle)
9.3a	1 062 703	1	Bearing block right (Rear arm support receptacle)
9.4	1 057 904	2	DISTANCER PROFILE
9.5	1 051 007	2	Side element receiver
9.6	5 006 411	2	Activation button asmb.

Sub Unit: Code 81; Arm support fixed, height adj.

Item	Article-No:	Pc	Description
-	1 052 922	2	Arm support bracket arm support tube bracket, rear
-	207 304 600	2	Cheese head screw, M4 x 20 DIN 912
-	207 322 600	2	Locknut DIN 985 M 4
a	207 340 200	4	Filister head screw DIN 7985- M5x16-4,8
b	207 602 900	2	Tapping screw DIN 7516 M6x20
c	207 320 100	2	Locknut, DIN 980/8, M6, A3T
d	207 302 200	2	Cheese head screw DIN 912 M6x40

EUROCHAIR AVANTI / a
Component unit: Arm support



Sub Unit: Code 81-351; Arm support locked, height adjustable, frame length short (C)

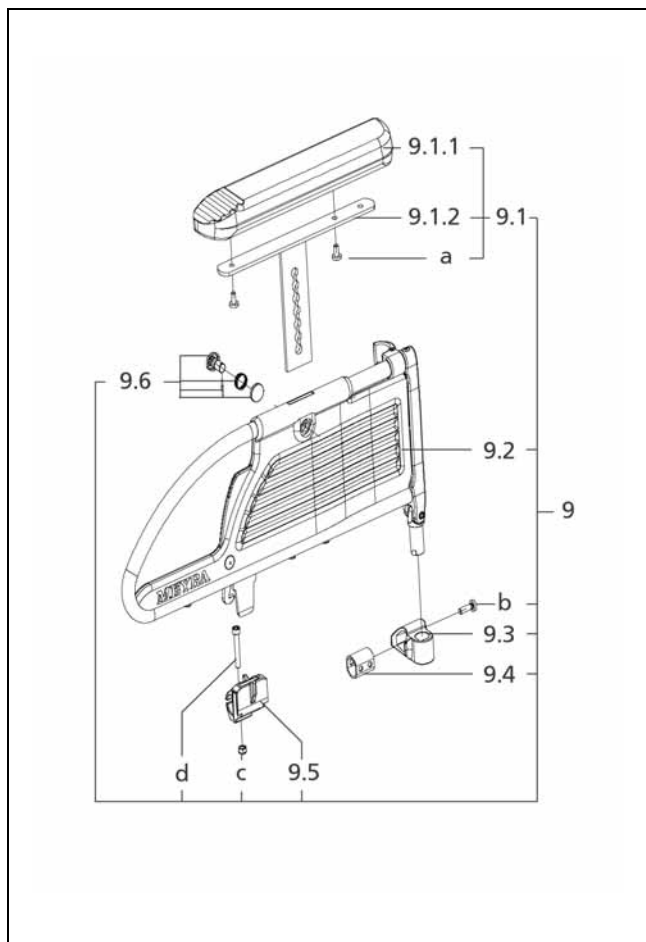
Item	Article-No:	Pc	Description
-	1 064 450	1	Arm supports Code 81-351 1 pair
9	1 057 086	1	Arm support left asmb
9a	1 057 087	1	Arm support right asmb
9.1	1 045 702	1	Armrest left assembled
9.1a	1 046 217	1	Armrest right assembled
9.1.1	1 039 356	1	Armrest, left
9.1.1a	1 039 355	1	Armrest, right
9.1.2	1 045 701	1	Armrest rest, left
9.1.2a	1 046 216	1	Arm support pad right cpl.
9.2	1 048 719	1	Arm support left (Inlay w/o locking lever)
9.2a	1 048 720	1	Arm support right (Inlay w/o locking lever)
9.3	1 062 702	1	Bearing block left (Rear arm support receptacle)
9.3a	1 062 703	1	Bearing block right (Rear arm support receptacle)
9.4	1 057 904	2	DISTANCER PROFILE
9.5	1 051 007	2	Side element receiver

Sub Unit: Code 81-351; Arm support locked, height adjustable, frame length short (C)

Item	Article-No:	Pc	Description
-	1 052 922	2	Arm support bracket arm support tube bracket, rear
-	207 304 600	2	Cheese head screw, M4 x 20 DIN 912
-	207 322 600	2	Locknut DIN 985 M 4
a	207 340 200	4	Fillister head screw DIN 7985- M5x16-4,8
b	207 381 300	2	Fillister head screw, M6 x 16 DIN 7380
c	207 320 100	4	Locknut, DIN 980/8, M6, A3T
d	207 602 900	2	Tapping screw DIN 7516 M6x20
e	207 302 200	2	Cheese head screw DIN 912 M6x40

EUROCHAIR AVANTI / a

Component unit: Arm support



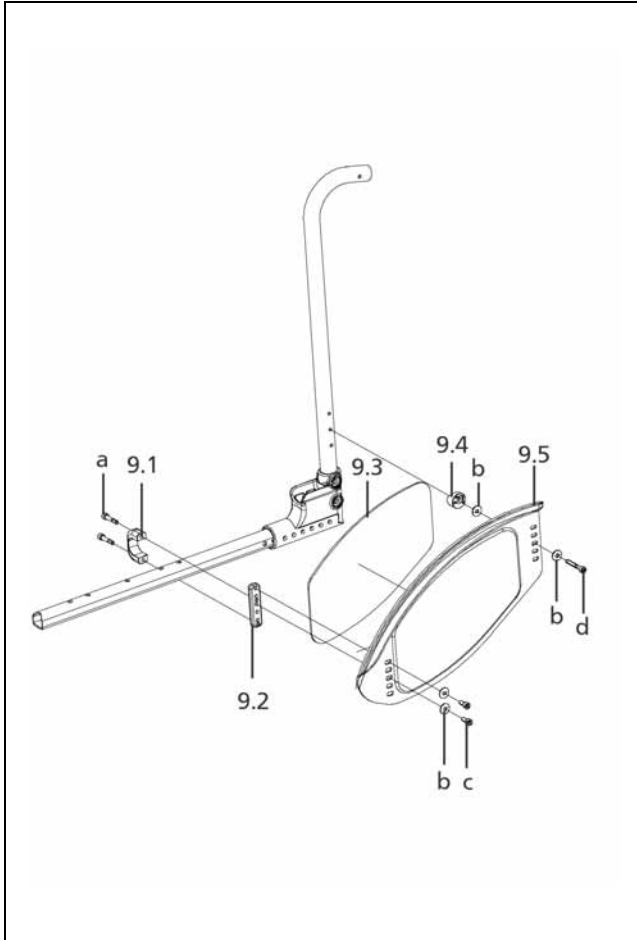
Sub Unit: Code 84; Arm support, adj. armrest long, lockable

Item	Article-No:	Pc	Description
-	1 064 452	1	Arm supports Code 84 - 1 pair
9	1 056 742	1	Arm support left asmb
9a	1 057 170	1	Arm support right asmb
9.1	1 056 741	1	Arm support left asmb.
9.1a	1 057 169	1	Arm support right asmb.
9.1.1	1 039 106	1	Armrest left code 20
9.1.1a	1 039 107	1	Armrest right code 20
9.1.2	1 056 740	1	Arm support pad left cpl.
9.1.2a	1 057 168	1	Arm support pad right cpl.
9.2	1 056 721	1	Arm support left (Inlay w/o locking lever)
9.2a	1 056 722	1	Arm support right (Inlay w/o locking lever)
9.3	1 062 702	1	Bearing block left (Rear arm support receptacle)
9.3a	1 062 703	1	Bearing block right (Rear arm support receptacle)
9.4	1 057 904	2	DISTANCER PROFILE
9.5	1 051 007	2	Side element receiver
9.6	5 006 411	2	Activation button asmb.

Sub Unit: Code 84; Arm support, adj. armrest long, lockable

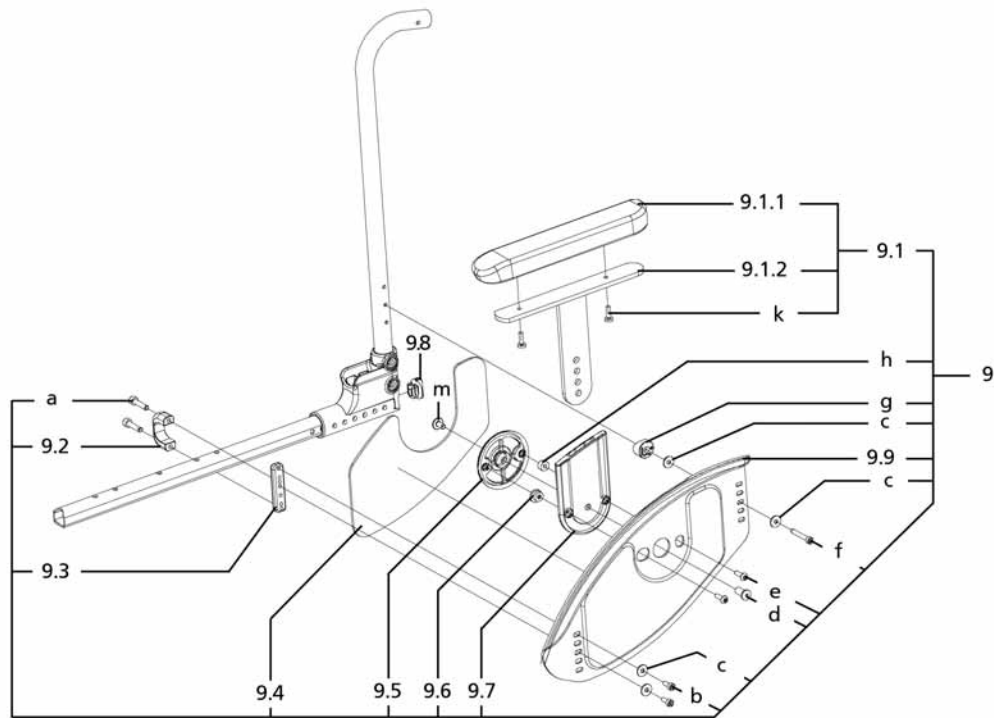
Item	Article-No:	Pc	Description
-	1 052 922	2	Arm support bracket arm support tube bracket, rear
-	207 304 600	2	Cheese head screw, M4 x 20 DIN 912
-	207 322 600	2	Locknut DIN 985 M 4
a	207 340 600	4	Filister head screw DIN 7985 M 6x12-4.8
b	207 602 900	2	Tapping screw DIN 7516 M6x20
c	207 320 100	2	Locknut, DIN 980/8, M6, A3T
d	207 302 200	2	Cheese head screw DIN 912 M6x40

EUROCHAIR AVANTI / a
Component unit: Arm support



Sub Unit: Code 102; Arm support small, firmly attached

Item	Article-No:	Pc	Description
-	1 064 284	1	Arm supports Code 102 - 1 pair
-	1 064 282	1	Arm support left asmb
-	1 064 283	1	Arm support right asmb
9.1	1 062 704	2	Fixing device
9.2	1 064 295	2	Halter
9.3	1 062 316	1	Neoprene insert left
9.3a	1 062 317	1	Neoprene insert right
9.4	205 208 206	2	Joint washer
9.5	1 062 299	1	Arm support left (w/o att. parts/insert)
9.5a	1 062 313	1	Arm support right (w/o att. parts/insert)
a	207 303 900	4	Cheese head screw M5x25 DIN912
b	207 330 000	8	Washer DIN 9021 B 5.3
c	207 113 600	4	Cheese head screw, M5x12, DIN 912 8.8 VC3
d	207 602 100	2	Screw DIN 7500 EM 5x35
-	1 062 716	2	Plug (for frame profile)



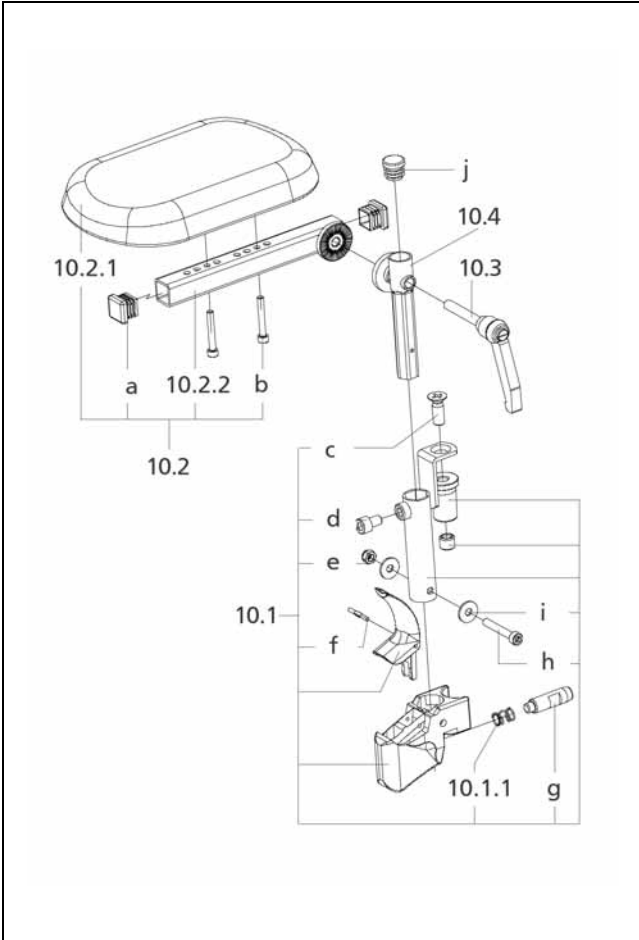
Sub Unit: Code 749; Clothes guard with height adjustable arm supports and neoprene insert

Item	Article-No:	Pc	Description
-	1 064 287	1	Arm supports Code 749 - 1 pair
9	1 064 285	1	Arm support left asmb
9a	1 064 286	1	Arm support right asmb
9.1	1 064 292	1	Arm support left asmb.
9.1a	1 064 293	1	Arm support right asmb.
9.1.1	1 039 356	1	Armrest, left
9.1.1a	1 039 355	1	Armrest, right
9.1.2	1 064 289	2	Arm support pad left cpl.
9.1.2a	1 064 291	1	Arm support pad right cpl.
9.2	1 062 704	2	Fixing device
9.3	1 064 295	2	Halter
9.4	1 062 318	2	Neoprene insert left
9.4a	1 062 319	1	Neoprene insert right
9.5	1 062 300	2	Inner washer
9.6	1 064 280	1	Eccentric bushing
9.7	1 062 301	1	Receptacle shaft left
9.7a	1 062 302	1	Receptacle shaft right
9.8	1 062 716	2	Plug (for frame profile)
9.9	1 062 314	1	Arm support left (w/o att. parts/insert)
9.9a	1 062 315	1	Arm support right (w/o att. parts/insert)

Sub Unit: Code 749; Clothes guard with height adjustable arm supports and neoprene insert

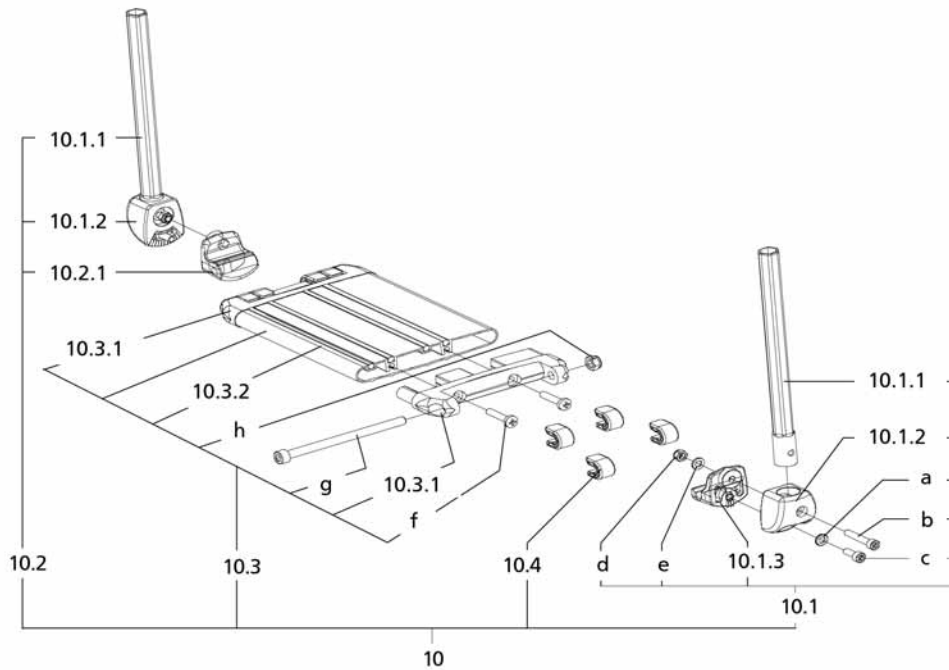
Item	Article-No:	Pc	Description
a	207 303 900	4	Cheese head screw M5x25 DIN912
b	207 113 600	4	Cheese head screw, M5x12, DIN 912 8.8 VC3
c	207 330 000	8	Washer DIN 9021 B 5.3
d	1 064 288	2	Thread bushing
e	207 381 600	4	Fillister head screw
f	207 602 100	2	Screw DIN 7500 EM 5x35
g	205 208 206	2	Joint washer
h	1 064 281	2	Distancer sleeve
k	207 340 200	4	Fillister head screw DIN 7985- M5x16-4,8
m	209 005 400	2	Fillister flat head screw, M6x12

EUROCHAIR AVANTI / a
Component unit: Leg supports



Sub Unit: Code 52; Amputee leg support

Item	Article-No:	Pc	Description
-	1 045 563	2	Amputation leg support Code 52
-	1 045 561	1	Leg support, left, assembled Code 52
-	1 045 562	1	Leg support, right, assembled Code 52
10.1	1 045 560	2	Leg support holder, assembled
10.1.1	206 323 000	2	Compression spring,D-151 A
10.2	5 005 808	2	Calf padding, assembled
10.2.1	205 104 006	2	Calf cover,black
10.2.2	1 045 544	2	Support tube
10.3	205 113 300	2	KIPP clamping lever M8x50
10.4	1 045 553	2	Insertion tube
a	205 008 800	4	Plastic slide E20/20
b	207 192 700	4	Cheese head screw, DIN 912
c	207 342 900	2	Countersunk head screw,DIN 965 M 8x25-8.8
d	207 193 300	2	Cheese head screw, M8 x 12 DIN 912
e	207 320 100	2	Locknut,DIN 980/8,M6, A3T
f	207 907 500	2	Center grooved dowel pin DIN 1475 3x24
g	205 222 206	2	Locking screw
h	207 302 200	2	Cheese head screw DIN 912 M6x40
i	207 335 100	4	Washer DIN 9021-B6,4 ST A3T
j	205 027 100	2	Plastic slide GL 18 black



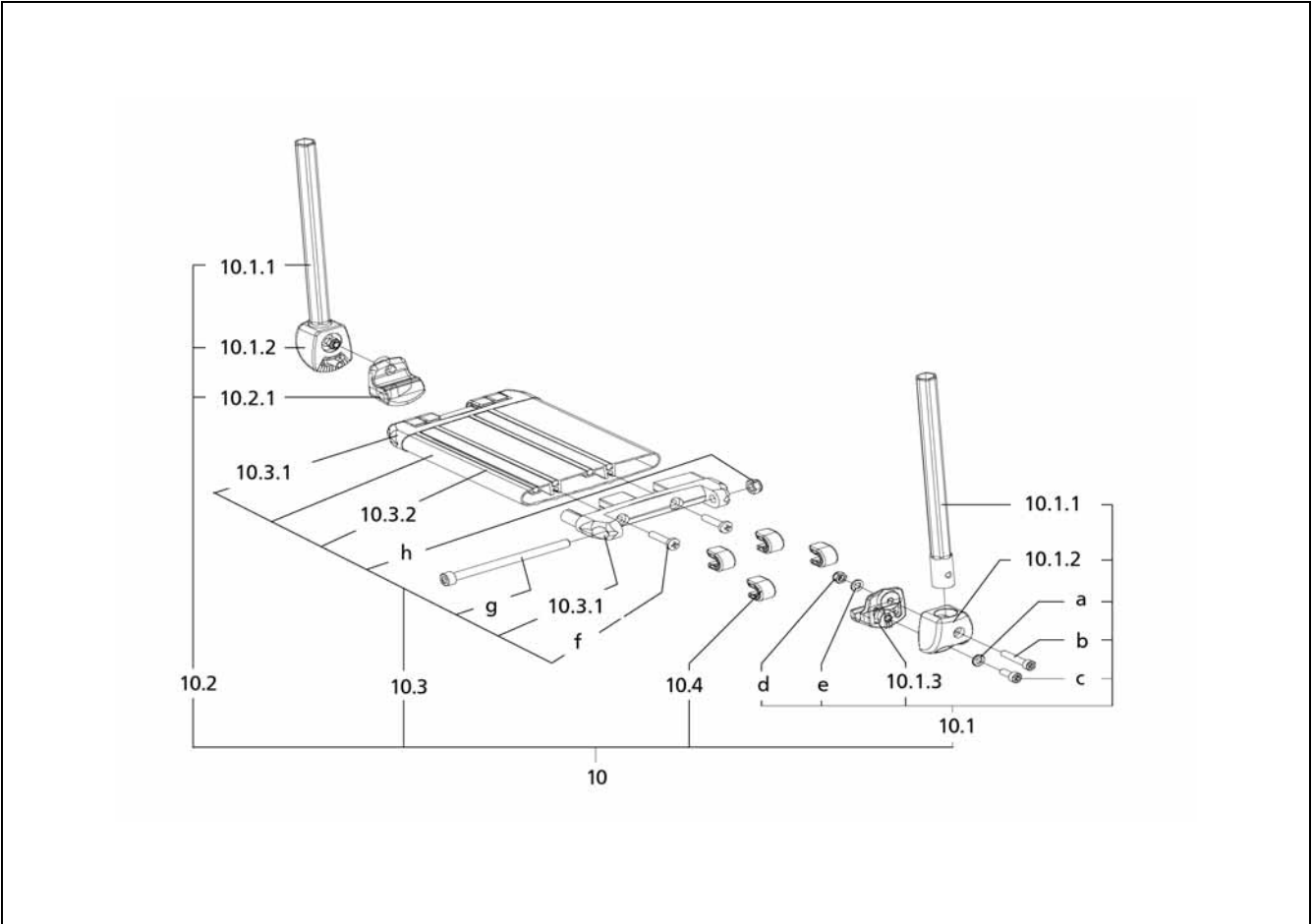
Sub Unit: Code 54; Footplate continuous

Item	Article-No:	Pc	Description
10.1	1 049 615	1	INSERT TUBE LEFT F.LEG SUP. W FOOTBOARD ORTOCAR
10.2	1 049 616	1	Insertion tube,right,assembled
10.1.1	1 049 613	2	Insertion tube ->(for seat width 32 - 40cm)
-	1 049 701	1	Insertion tube, left assembled
-	1 049 702	1	Insertion tube, right assembled
-	1 049 613	1	Insertion tube ->(for seat width 43 - 58cm)
10.1.2	1 049 691	2	Mount
10.1.3	1 047 997	1	Joint piece
10.2.1	1 047 996	1	Joint piece
10.3.1	1 048 906	2	End piece
10.3.2	1 049 639	1	Rubber buffer
10.4	1 047 998	8	Adjustment facility,assembled
a	207 330 200	2	Washer,DIN 125-B6,4 St. A3T
b	207 302 100	2	Cheese head screw, DIN 912 M 6x35-8.8
c	207 301 700	2	Cheese head screw,DIN 912, M 6x16-8.8
d	207 320 100	2	Locknut,DIN 980/8,M6, A3T
e	207 023 700	2	Washer DIN 125-B 6,4 PVC
f	207 602 700	4	Tapping screw DIN 7516 M6x30
g	207 352 900	2	Cheese head screw
h	207 320 200	2	Locknut DIN 985 M8-8 A3T ->Attention! State the corresponding colour code when ordering lower part of legrests, respectively foot boards.

Sub Unit: Code 54; Footplate continuous

Item	Article-No:	Pc	Description
10	1 049 640	1	Leg support lower part Code 32-54 Code 32; Seat width 32cm
10.3	1 049 617	1	Footboard, complete Code 34; Seat width 34cm
10	1 049 641	1	Leg support lower part Code 36; Seat width 36cm
10.3	1 049 618	1	Footboard,complete Code 38; Seat width 38cm
10	1 049 642	1	Leg support lower part Code 40; Seat width 40cm
10.3	1 049 619	1	Footboard, complete Code 43; Seat width 43cm
10	1 049 703	1	Leg support lower part Code 54, SB 38-1.830/40/50 Code 46; Seat width 46cm
10.3	1 049 620	1	Footboard, complete Code 43; Seat width 43cm
10	1 049 704	1	Leg support lower part Code 54, SB 40-1.830;1.840/50 Code 43; Seat width 43cm
10.3	1 049 621	1	Footboard, complete code 54, SB 40-3.310 Code 43; Seat width 43cm
10	1 049 705	1	Leg support lower part Code 54, SB 43-1.830/40/50 Code 46; Seat width 46cm
10.3	1 049 622	1	Footboard, complete code 54, SB 43-3.310 Code 46; Seat width 46cm
10	1 049 706	1	Leg support lower part code 54, SB 46-1.830/40/50 Code 46; Seat width 46cm
10.3	1 049 623	1	Footboard,complete Code 46; Seat width 46cm

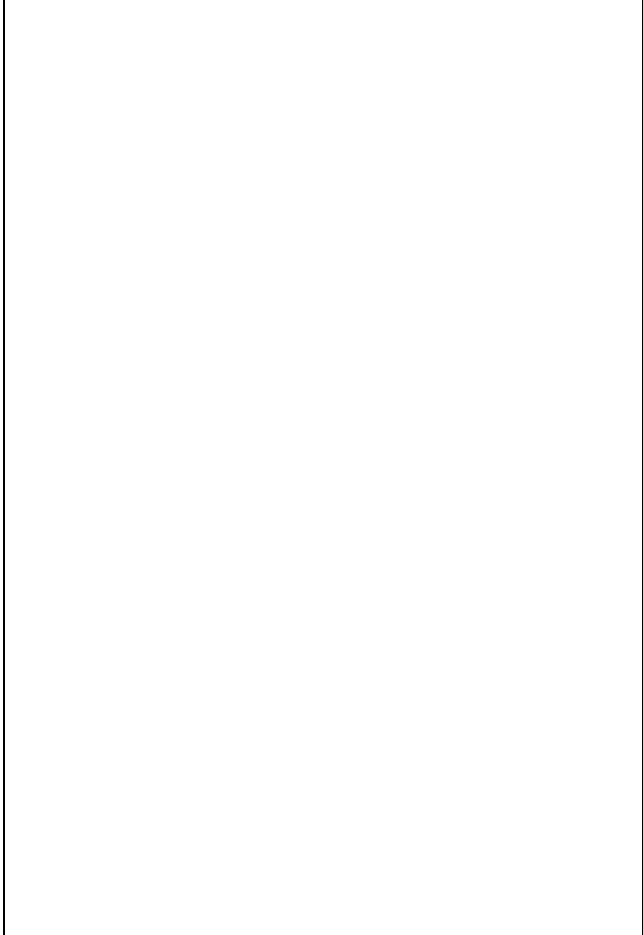
EUROCHAIR AVANTI / a
Component unit: Leg supports

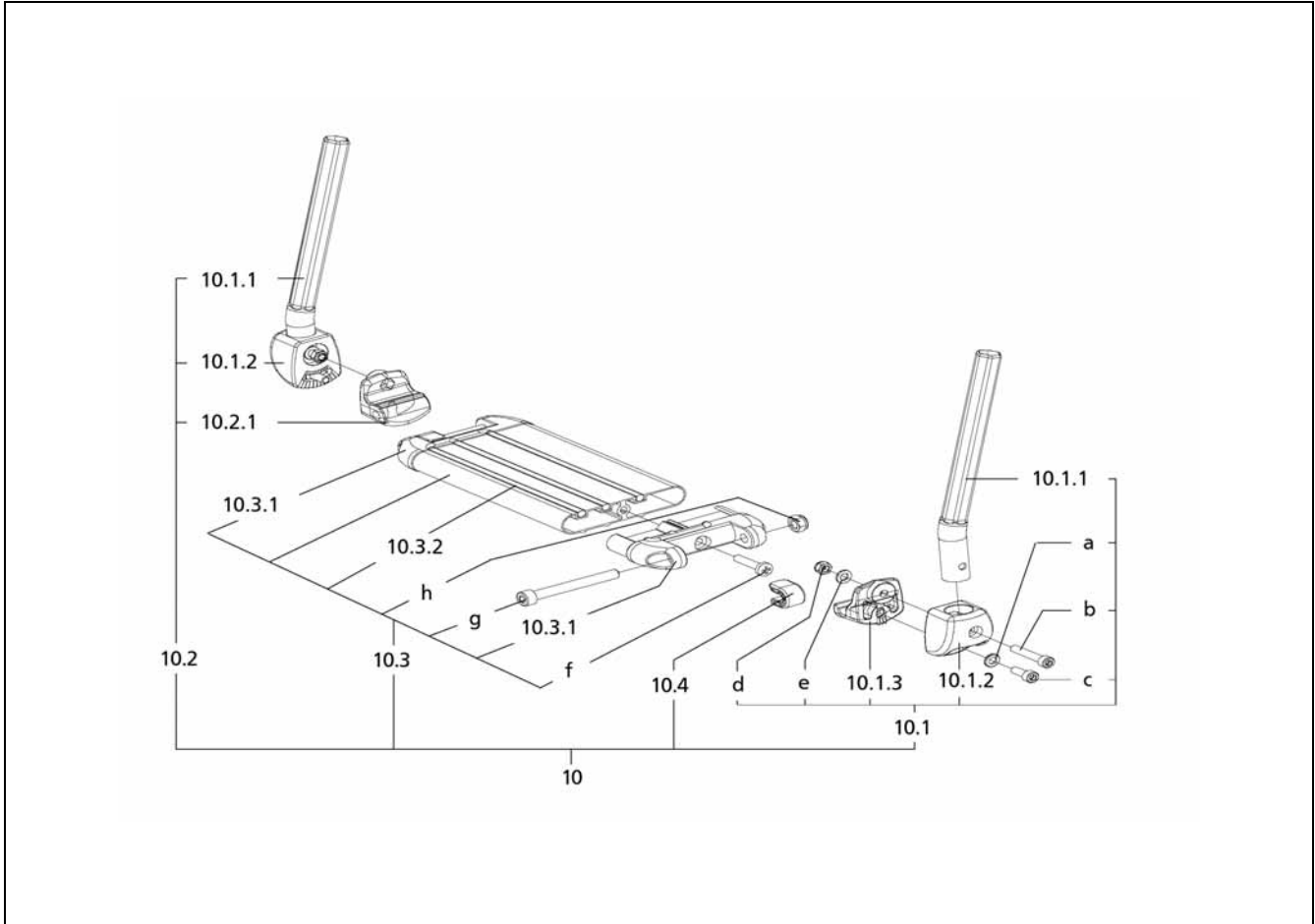


Sub Unit: Code 54; Footplate continuous

Item	Article-No:	Pc	Description
			Code 48; Seat width 48cm
10	1 049 707	1	Leg support lower part Code 54, SB 48-1.830/40/50
10.3	1 049 624	1	Footboard, complete code 54, SB 48-3.310
			Code 50; Seat width 50cm
10	1 049 708	1	Leg support lower part Code 54, SB 50-1.830/40/50
10.3	1 049 625	1	Footboard, complete code 54, SB 50.3.310
			Code 53; Seat width 53cm
10	1 054 686	1	Lower leg support Code 54 SW 53 cm
10.3	1 049 626	1	Footboard, complete
			Code 358; Seat width 58 cm
10	1 061 462	1	Leg support lower part Code 54 SW 58 CM
10.3	1 061 463	1	Footboard cpl. Code 358-54
-	1 046 096	1	Leg belt complete (28/30/32cm)
-	1 046 100	1	Leg belt, complete (34/36cm)
-	1 003 026	1	Leg belt, complete
-	1 030 237	1	Leg belt complete
-	205 047 700	2	Closing cap A8 5000008 black

->Attention! State the corresponding colour code when ordering lower part of legrests, respectively foot boards.





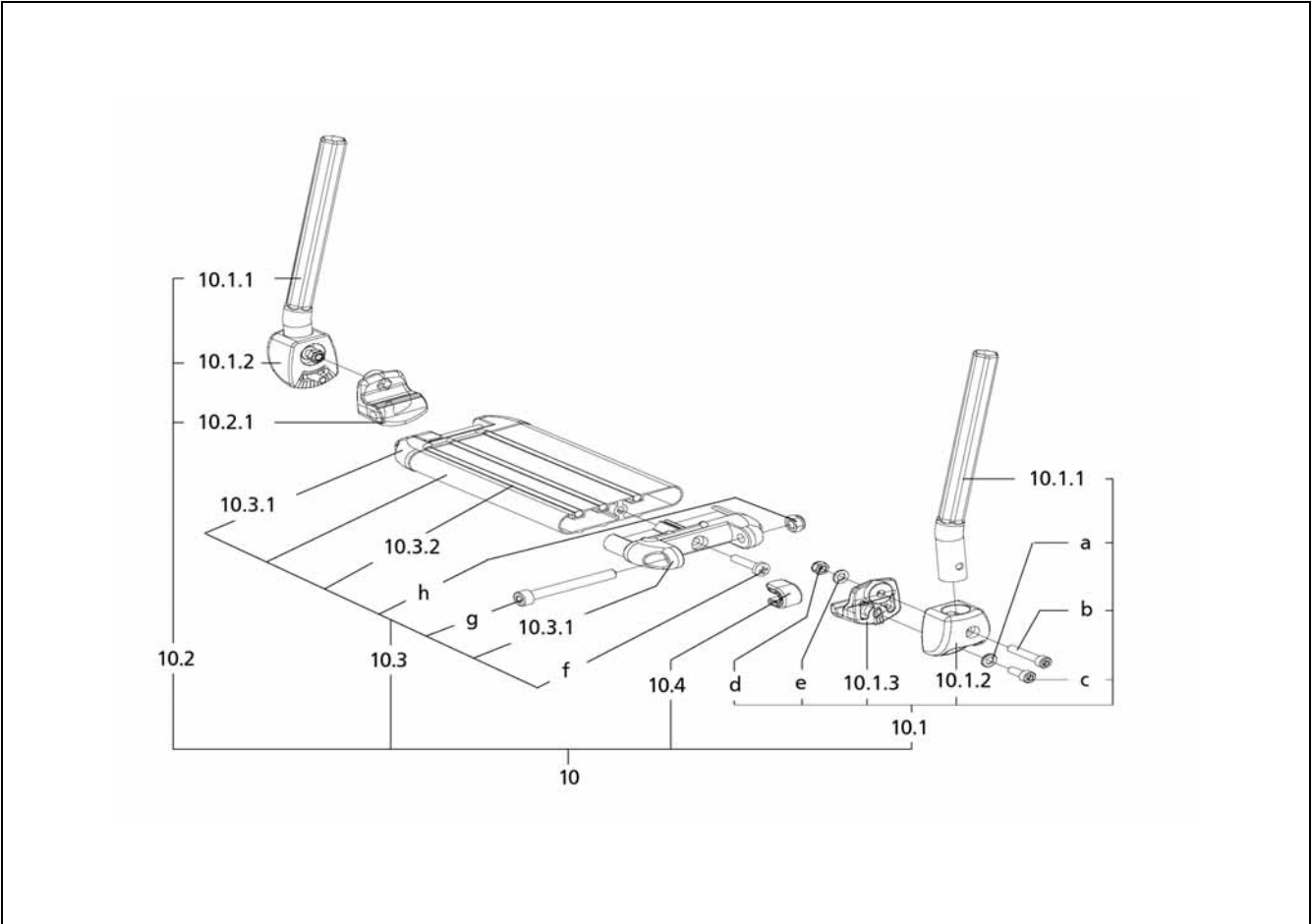
Sub Unit: Code 87; Leg support, continous foot plate

Item	Article-No:	Pc	Description
10.1	1 064 455	1	Insert tube left asmb (for SW 32/34/36)
-	1 049 701	1	Insertion tube, left assembled
10.2	1 064 456	1	Insert tube right asmb (for SW 32/34/36)
-	1 049 702	1	Insertion tube, right assembled
10.1.1	1 064 454	2	Insert tube (for SW 32/34/36)
-	1 049 614	2	Insertion tube
10.1.2	1 049 691	2	Mount
10.1.3	1 047 997	1	Joint piece
10.2.1	1 047 996	1	Joint piece
10.3.1	1 051 518	2	End piece narrow Code 54
10.3.2	1 049 639	1	Rubber buffer
10.4	1 047 998	2	Adjustment facility, assembled
a	207 330 200	2	Washer, DIN 125-B6, 4 St. A3T
b	207 302 100	2	Cheese head screw, DIN 912 M 6x35-8.8
c	207 301 700	2	Cheese head screw, DIN 912, M 6x16-8.8
d	207 320 100	2	Locknut, DIN 980/8, M6, A3T
e	207 023 700	2	Washer DIN 125-B 6, 4 PVC
f	207 602 700	4	Tapping screw DIN 7516 M6x30
g	207 194 100	2	Cheese head screw M8X70 DIN 912 8.8 A3T
h	207 320 200	2	Locknut DIN 985 M8-8 A3T
			->Attention! State the corresponding colour code when ordering lower part of legrests, respectively foot boards.

Sub Unit: Code 87; Leg support, continous foot plate

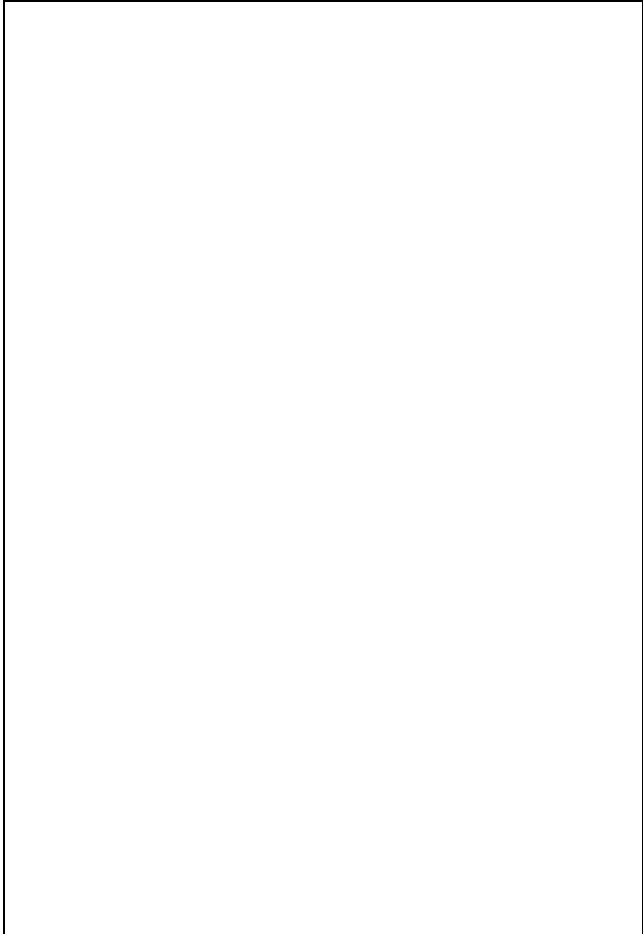
Item	Article-No:	Pc	Description
			Code 32; Seat width 32cm
10	1 064 457	1	Leg support lower part Code 32-87
10.3	1 064 460	1	Footboard cpl. Code 32-87
			Code 34; Seat width 34cm
10	1 064 458	1	Leg support lower part Code 34-87
10.3	1 064 461	1	Footboard cpl. Code 34-87
			Code 36; Seat width 36cm
10	1 064 459	1	Leg support lower part Code 36-87
10.3	1 064 462	1	Footboard cpl. Code 36-87
			Code 38; Seat width 38cm
10	1 054 389	1	Leg support lower part Code 38-87
10.3	1 054 151	1	Footboard cpl. Code 38-87
			Code 40; Seat width 40cm
10	1 054 390	1	Leg support lower part Code 40-87
10.3	1 054 152	1	Footboard cpl. Code 40-87
			Code 43; Seat width 43cm
10	1 054 391	1	Leg support lower part Code 43-87
10.3	1 054 153	1	Footboard cpl. Code 43-87
			Code 46; Seat width 46cm
10	1 054 392	1	Leg support lower part Code 46-87
10.3	1 054 154	1	Footboard cpl. Code 46-87

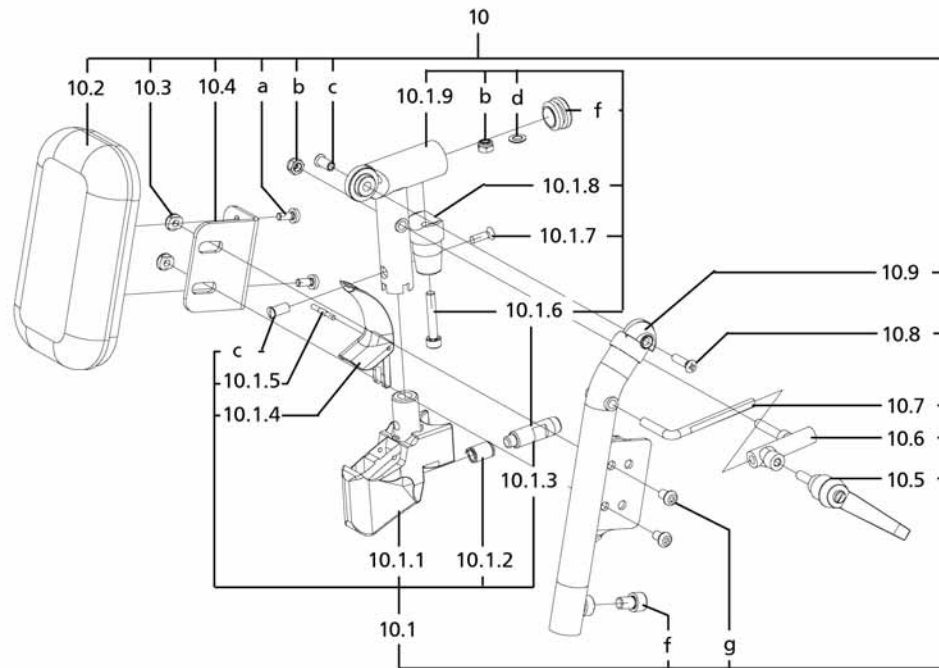
EUROCHAIR AVANTI / a
Component unit: Leg supports



Sub Unit: Code 87; Leg support, continous foot plate

Item	Article-No:	Pc	Description
			Code 48; Seat width 48cm
10	1 054 393	1	Leg support lower part Code 48-87
10.3	1 054 155	1	Footboard cpl. Code 48-87
-	1 046 096	1	Leg belt complete (28/30/32cm)
-	1 046 100	1	Leg belt, complete (34/36cm)
-	1 003 026	1	Leg belt, complete
-	1 030 237	1	Leg belt complete
-	205 047 700	2	Closing cap A8 5000008 black
			->Attention! State the corresponding colour code when ordering lower part of legrests, respectively foot boards.





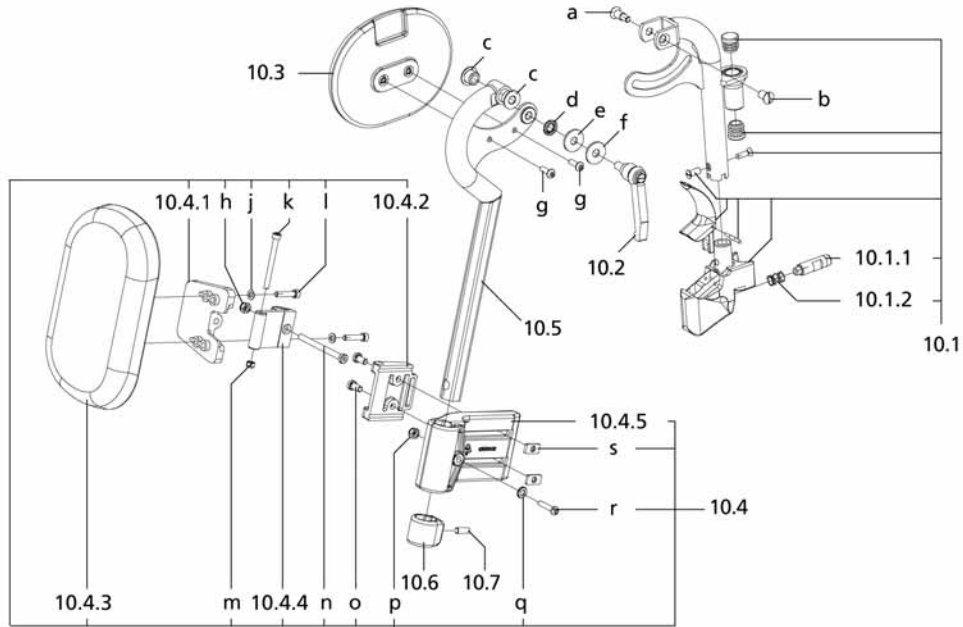
Sub Unit: Code 92; Removable height adj. leg support, swivell-away

Item	Article-No:	Pc	Description
10.1	1 049 005	1	Mount, left
10.1a	1 049 006	1	Mount, right
10.1.1	205 222 006	2	Leg support holder
10.1.2	206 323 000	2	Compression spring,D-151 A
10.1.3	205 222 206	2	Locking screw
10.1.4	205 222 106	2	Release lever
10.1.5	207 907 500	2	Center grooved dowel pin DIN 1475 3x24
10.1.6	207 302 100	2	Cheese head screw, DIN 912 M 6x35-8.8
10.1.7	207 345 500	2	Oval head countersunk screw DIN 966 M5x16 4.8 A3T black
10.1.8	1 042 609	2	Bearing journal
10.1.9	1 049 003	1	Mount, left
10.1.9a	1 049 004	1	Mount, right
10.2	1 049 018	2	Calf padding, wide
-	8 016 428	2	Calf cover, black
10.3	1 049 010	4	Threaded piece
10.4	1 049 011	2	Angle
10.5	205 112 200	2	KIPP clamping lever, M6 x 20 black
10.6	1 057 510	2	Adjustment unit cpl.
10.7	1 057 508	2	Attachment hook
10.8	207 345 300	2	Oval head countersunk screw, DIN966/8.8, M5x20
10.9	1 048 996	1	Stay tube, right, assembled
10.9a	1 048 997	1	Stay tube, right, assembled
a	207 381 100	4	Fillister head screw DIN 7380 M 6x10-10.9 ->Attention! Secure with Loctite no. 243 part-no. 205 638 800.

Sub Unit: Code 92; Removable height adj. leg support, swivell-away

Item	Article-No:	Pc	Description
b	207 320 100	2	Locknut,DIN 980/8,M6, A3T
c	205 597 200	4	Sleeve nut M5
d	207 881 000	2	Spherical disc DIN 6319 C6.4
e	205 044 906	2	Plastic slide
f	207 193 300	2	Cheese head screw, M8 x 12 DIN 912
g	207 301 300	4	Fillister head screw DIN 7985- M5x12-4.8 A3K
-	1 049 009	1	Leg support
10	1 049 007	1	Leg support, left, assembled
10a	1 049 008	1	Leg support, right, assembled
-	1 048 378	1	Leg support
10	1 049 019	1	Leg protection blanket
10a	1 049 020	1	Leg support, right, assembled

EUROCHAIR AVANTI / a
Component unit: Leg supports



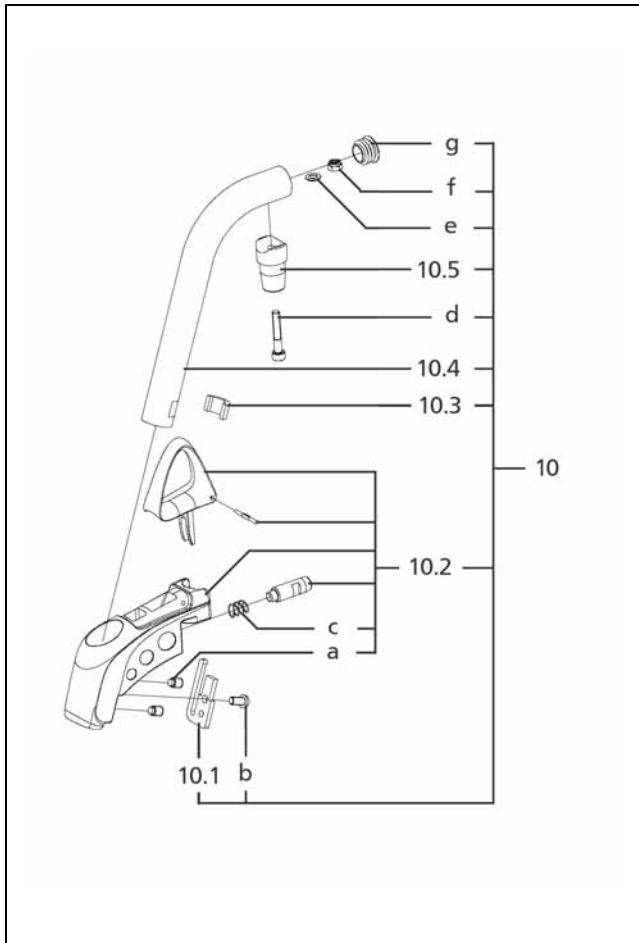
Sub Unit: Code 92; Removable height adj. leg support, swivell-away

Item	Article-No:	Pc	Description
-	1 057 534	1	Upper leg supports - 1 pair Code 92
-	1 062 214	1	Upper leg support left asmb. Code 92
-	1 062 215	1	Upper leg support right asmb. Code 92
10.1	1 053 687	2	Leg support tube cpl.
10.1.1	206 323 000	2	Compression spring,D-151 A
10.1.2	205 222 206	2	Locking screw
10.2	206 656 600	2	Tilt-clamping lever M 8 x 15
10.3	1 053 701	2	Knee cushion
10.4	5 006 345	2	Calf cushion asmb.
10.4.1	1 059 657	2	Swivelling plate
10.4.2	1 061 036	2	Joint bracket long
10.4.3	1 059 656	2	Calf plat slim
10.4.4	1 059 655	2	Joint
10.4.5	1 058 902	2	Support clamp
10.5	1 058 915	1	Calf plate tube left cpl.
10.5a	1 059 443	1	Calf plate tube right cpl. .
10.6	1 058 903	2	Clamp
10.7	207 305 700	2	Thread pin DIN 913 M6x12 45H A3T

Sub Unit: Code 92; Removable height adj. leg support, swivell-away

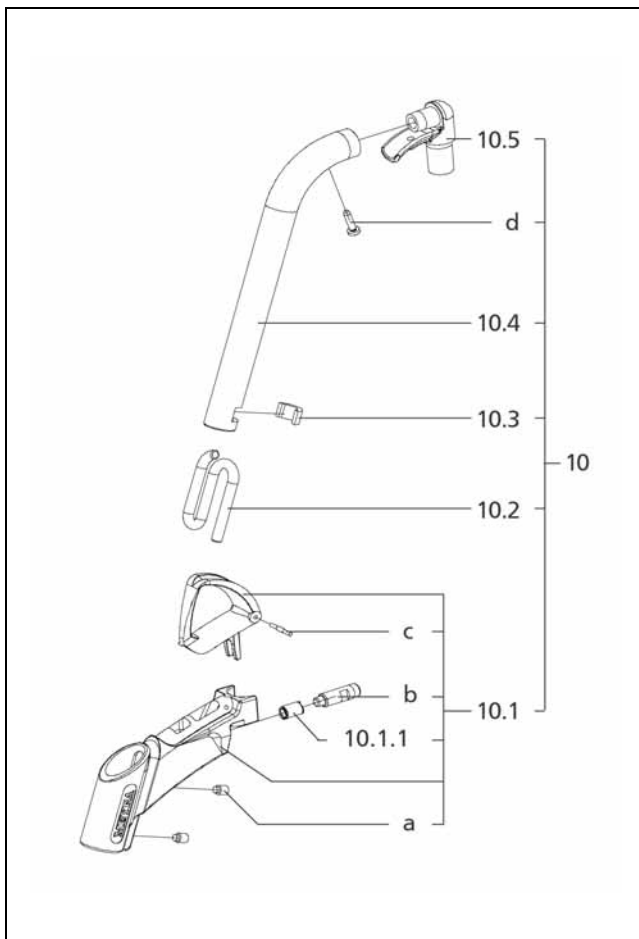
Item	Article-No:	Pc	Description
a	205 596 200	1	Shoulder screw 9SMNPB 28K
b	205 596 100	2	Sleeve nut M6 black 9S20K
c	1 047 682	4	Bush sleeve
d	205 595 000	2	Locking washer, black ->Mount the toothed side of the washer facing to the thread bushing
e	1 059 473	1	Washer + 5 degree adj. ->The notch of the disc must face toward the vehicle, in order to shorten the adjustable stroke toward the bottom.
f	207 335 000	2	Washer DIN 9021, B 8.4
g	207 381 600	2	Filister head screw
h	207 320 100	2	Locknut,DIN 980/8,M6, A3T
j	207 330 100	4	Washer DIN 125-B5,3 St A3T
k	207 304 100	2	Cheese head screw DIN 912 M 5x55-8.8
l	207 120 800	4	Cheese head screw DIN 912 M 5x25-8.8
m	207 322 000	2	Locknut,DIN 980/8,M5
n	207 351 000	2	Cheese head screw DIN 7984 M 6x70-8.8
o	207 350 200	4	Cheese head screw,M 6x12-8.8 A3T DIN6912
p	207 417 500	2	Locknut, M6
q	207 330 200	2	Washer,DIN 125-B6,4 St. A3T
r	207 380 200	2	Filister head screw DIN 7380 M 6x30 10,9 A3T
s	1 061 035	4	Square nut M6

EUROCHAIR AVANTI / a
Component unit: Leg supports



Sub Unit: Code 93; Removable leg supports, swivell-away

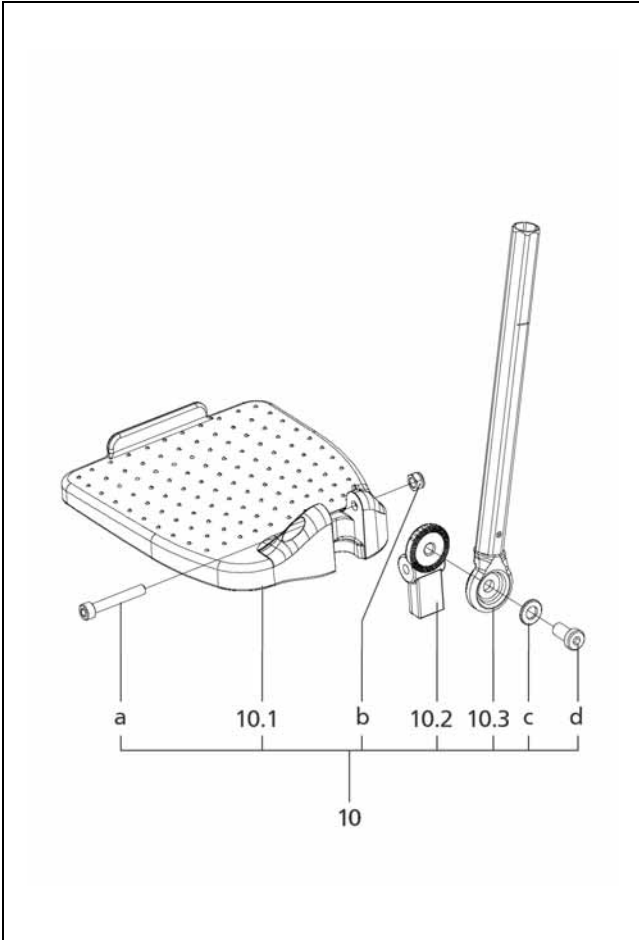
Item	Article-No:	Pc	Description
-	1 056 395	1	UPPER LEG SUPPORTS CODE 36-93 1 PAIR
10	1 056 389	1	UPPER LEG SUPPORT LEFT ASMB.
10a	1 056 390	1	UPPER LEG SUPPORT RIGHT ASMB.
10.1	1 056 386	2	LEG STRAP BRACKET
10.2	1 056 388	2	LEG SUPPORT BRACKET CPL.
10.3	201 356 900	2	Pressure piece
10.4	1 056 387	2	LEG SUPPORT TUBE
10.5	1 042 609	2	Bearing journal
a	207 172 500	2	THREAD PIN M 8 X 16 DIN 916 45H A3T
b	207 381 200	2	Filister head screw, M6 x 12 DIN 7380
c	8 460 494	2	PRESSURE SPRING D-118
d	207 302 100	2	Cheese head screw, DIN 912 M 6x35-8.8
e	207 881 000	2	Spherical disc DIN 6319 C6.4
f	207 320 100	2	Locknut, DIN 980/8, M6, A3T
g	205 047 400	2	Round plug 22, 22x1,5 SFL
-	207 252 700	2	THREAD PIN M 8 X 10
-	1 046 096	1	Leg belt complete (28/30/32cm)
-	1 046 100	1	Leg belt, complete (34/36cm)



Sub Unit: Code 93; Removable leg supports, swivell-away

Item	Article-No:	Pc	Description
-	1 041 430	2	Leg support, complete Code 38/40-93
-	1 039 508	2	Leg support, code 93, compl.
10	1 039 507	1	Leg support tube, right, assembled
10a	1 039 506	1	Leg support tube left assembled
10.1	1 039 505	2	Leg support holder complete
10.1.1	206 323 000	2	Compression spring, D-151 A
10.2	1 039 515	2	Calf belt pin
10.3	201 356 900	2	Pressure piece
10.4	1 039 497	2	Leg support tube
10.5	205 214 506	2	Bearing journal
a	207 252 600	4	Threaded pin, M8x10, DIN915
b	205 214 406	2	Locking screw
c	207 907 500	2	Center grooved dowel pin DIN 1475 3x24
d	207 602 800	2	Tapping screw DIN 7516 M5x20

EUROCHAIR AVANTI / a
Component unit: Leg supports



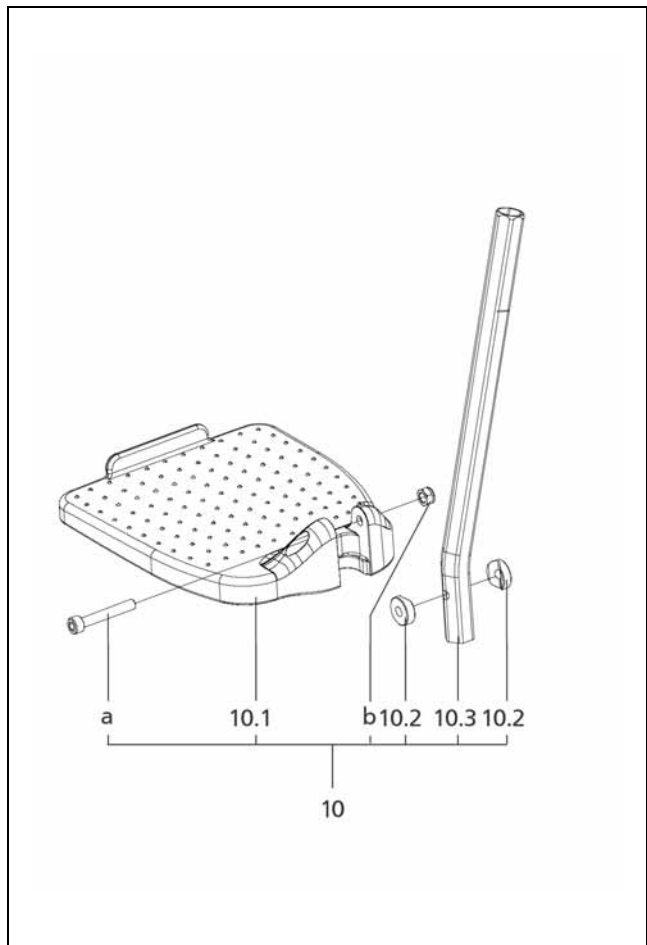
Sub Unit: Code 798; Footplates angle adjustable up to ± 60 degrees

Item	Article-No:	Pc	Description
10.2	1 058 918	2	Toothed insert
10.3	1 059 465	2	Insert tube cpl.
a	207 302 200	2	Cheese head screw DIN 912 M6x40
b	207 320 100	2	Locknut, DIN 980/8, M6, A3T
c	207 330 300	2	Washer DIN 125 - B8,4 ST A3T
d	207 353 000	2	Cheese head screw M8 X 16 DIN7984 8.8 A3T VC3
Seat width 40 to 58 cm			
-	1 064 478	1	Lower leg supports (pair) Code 128-798 SW 40 to 58cm
10	1 064 476	1	Footboard left asmb. Code 128-798 SW 40 to 58cm
10a	1 064 477	1	Footboard right asmb. Code 128-798 SW 40 to 58cm
10.1	1 059 642	1	Footboard left
10.1a	1 059 645	1	Footboard right
Seat width 32 to 38 cm			
-	1 065 642	1	Lower leg supports (pair) Code 128-798 SW 32 to 38cm
-	1 065 640	1	Footboard left asmb. Code 128-798 SW 32 to 38cm
-	1 065 641	1	Footboard right asmb. Code 128-798 SW 32 to 38cm
-	1 063 570	1	Footboard small left
-	1 064 650	1	Footboard small right

Sub Unit: Code 798; Footplates angle adjustable up to ± 60 degrees

Item	Article-No:	Pc	Description
Code 761; Extra short lower shank length			
-	1 066 478	1	Lower leg supports (pair) Code 761-798 extra short
-	1 066 476	1	Footboard left asmb. Code 761-798 extra short
-	1 066 477	1	Footboard right asmb. Code 761-798 extra short
-	1 063 570	1	Footboard small left
-	1 064 650	1	Footboard small right
10.3	1 066 475	2	Insert tube cpl.

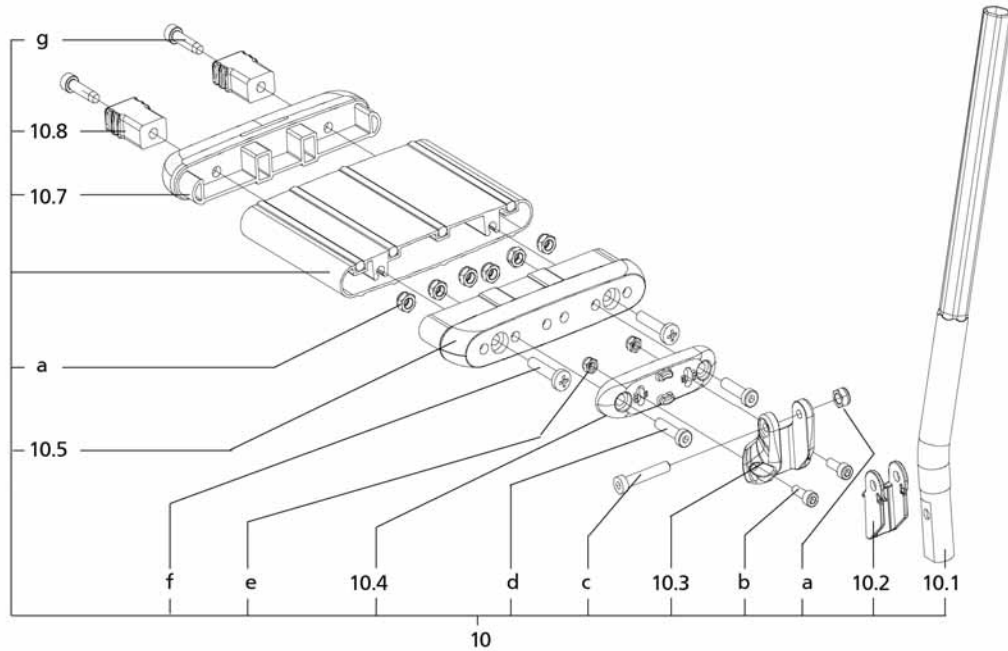
EUROCHAIR AVANTI / a
Component unit: Leg supports



Sub Unit: Code 805; Foot plates plastic, divided

Item	Article-No:	Pc	Description
10.2	1 058 905	4	Joint washer
a	207 302 200	2	Cheese head screw DIN 912 M6x40
b	207 320 100	2	Locknut, DIN 980/8, M6, A3T
-	1 064 521	1	Lower leg supports (pair) Code 805
10	1 064 479	1	Footboard left asmb. Code 805
10a	1 064 520	1	Footboard right asmb. Code 805
10.1	1 059 642	1	Footboard left
10.1a	1 059 645	1	Footboard right
10.3	1 058 910	2	Insert tube
Code 761; Extra short lower shank length			
-	1 066 479	1	Lower leg supports (pair) Code 761-805 extra short
-	1 066 472	1	Footboard left asmb. Code 761-805 extra short
-	1 066 473	1	Footboard right asmb. Code 761-805 extra short
-	1 063 570	1	Footboard small left
-	1 064 650	1	Footboard small right
-	1 066 471	2	Insert tube cpl.

EUROCHAIR AVANTI / a
Component unit: Leg supports



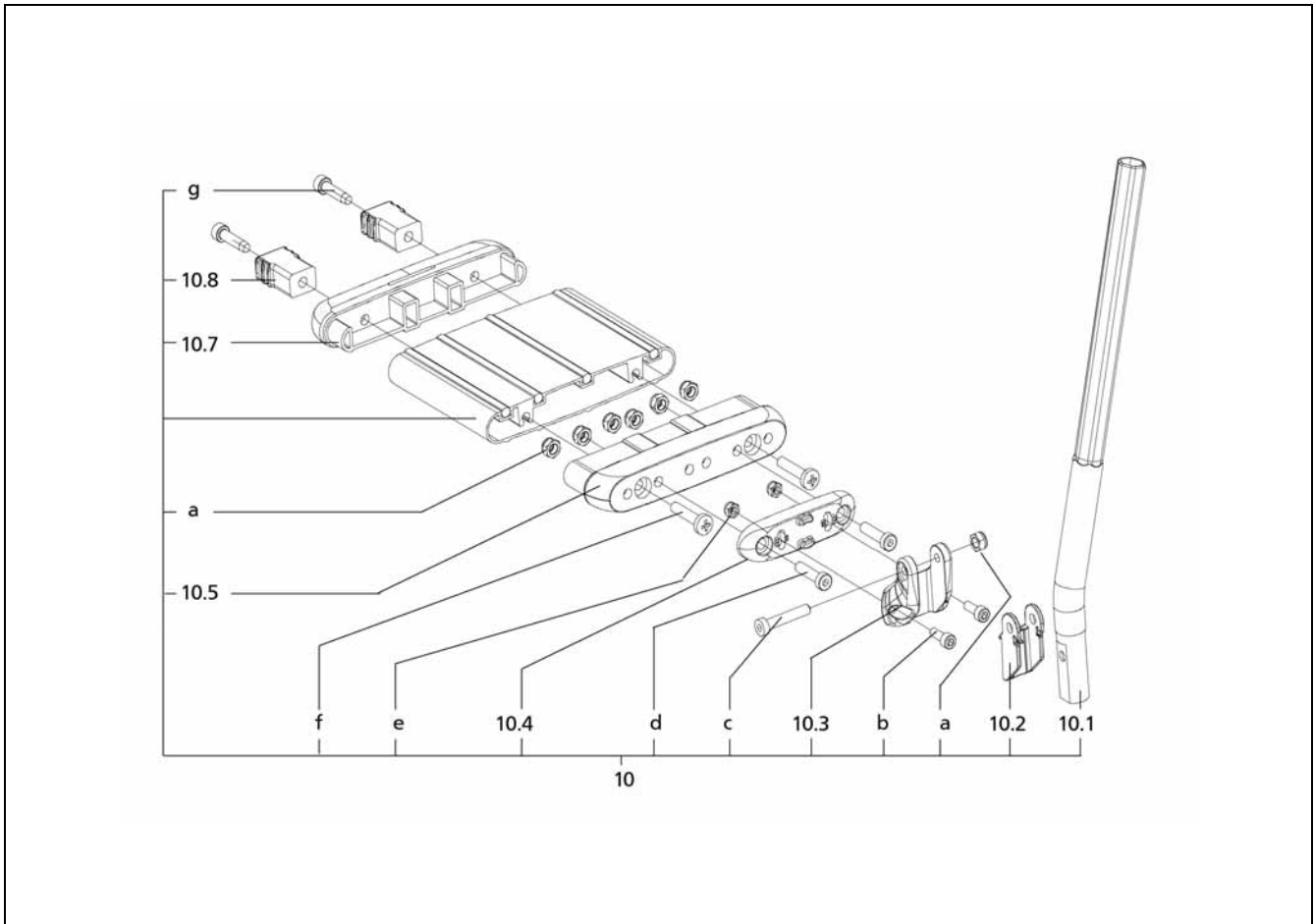
Sub Unit: Code 808; Foot plates angle adjustable

Item	Article-No:	Pc	Description
10.1	1 057 519	1	Insert tube cpl.
10.2	1 053 181	2	Support piece
10.3	1 053 164	2	Folding piece
10.4	1 057 968	2	SPACER
10.5	1 057 970	2	PROFILE RECEPTACLE
10.7	1 058 676	2	END BIT (WITH SLOT FOR LEG STRAP)
10.8	1 057 972	2	Connector (between footplates)
a	207 320 100	14	Locknut, DIN 980/8, M6, A3T
b	1 055 240	2	Special screw M6X33 8.8 A3T
c	207 192 500	4	CYLINDER SCREW M 5 X 14 8.8 034165*
d	207 352 100	4	CYLINDER SCREW DIN7984 M 6 X 25 8.8 A3T
e	207 322 000	4	Locknut, DIN 980/8, M5
f	207 602 700	4	Tapping screw DIN 7516 M6x30
g	207 651 100	4	Screw DIN7500E M6x25
-	1 049 639	1	Rubber buffer
-	1 058 677	2	CALF BELT
-	207 500 000	2	Cheese head screw M6x28 DIN912 VC3
-	207 320 100	2	Locknut, DIN 980/8, M6, A3T
-	207 330 200	2	Washer, DIN 125-B6, 4 St. A3T

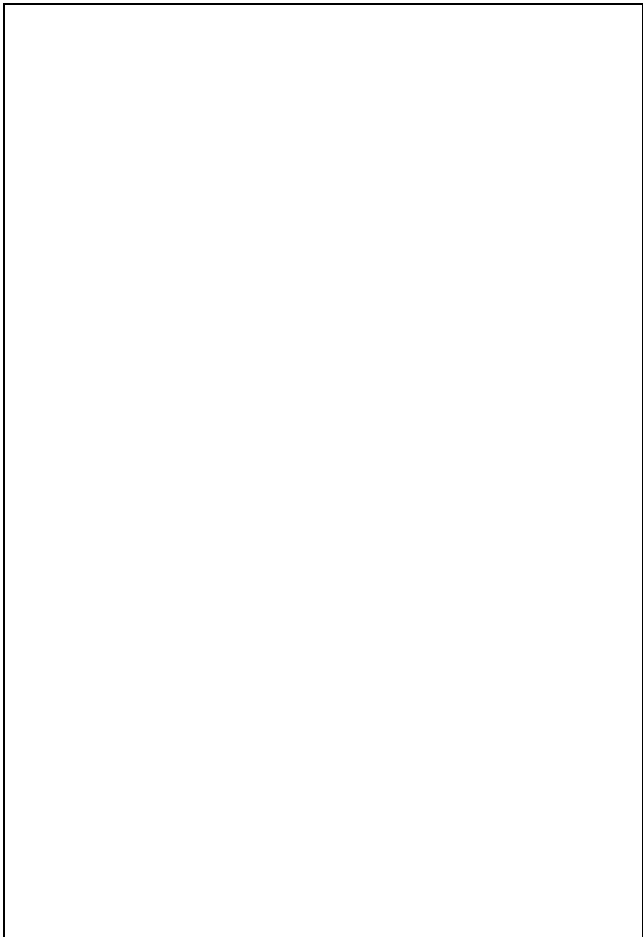
->Attention! State the corresponding colour code when ordering lower part of legrests, respectively foot boards.

Sub Unit: Code 808; Foot plates angle adjustable

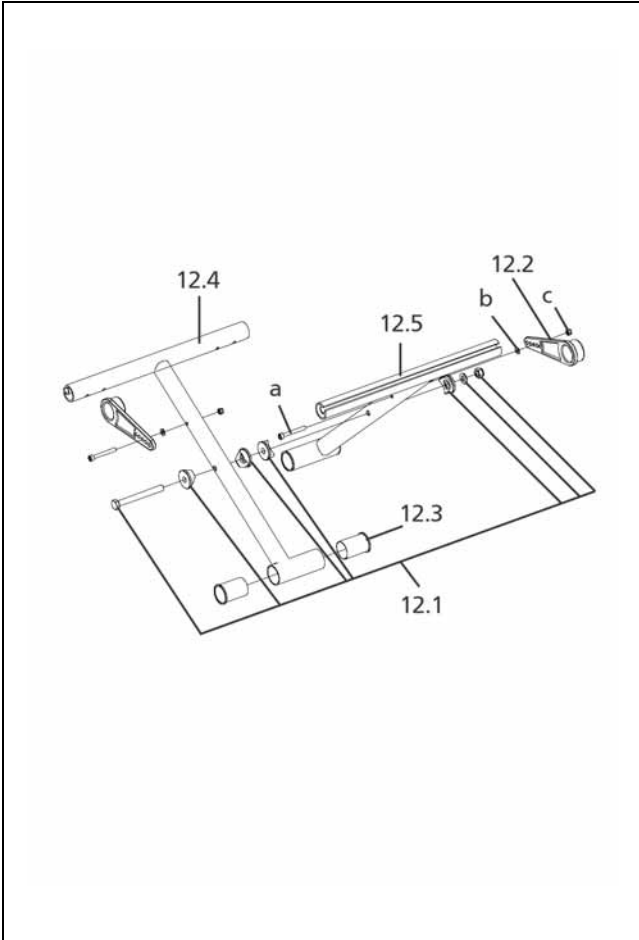
Item	Article-No:	Pc	Description
			Code 32; Seat width 32cm
-	1 064 534	1	Single footplates Code 32-808 up-fold., angle adj. - 1 pair
10	1 064 524	1	Insert tube left asmb Code 32-808
10a	1 064 525	1	Insert tube right asmb Code 32-808
			Code 34; Seat width 34cm
-	1 064 535	1	Single footplates Code 34-808 up-fold., angle adj. - 1 pair
10	1 064 526	1	Insert tube left asmb Code 34-808
10a	1 064 527	1	Insert tube right asmb Code 34-808
			Code 36; Seat width 36cm
-	1 064 536	1	Single footplates Code 36-808 up-fold., angle adj. - 1 pair
10	1 064 528	1	Insert tube left asmb Code 36-807
10a	1 064 529	1	Insert tube right asmb Code 36-808
			Code 38; Seat width 38cm
-	1 057 530	1	Single footplates Code 38-808 up-fold., angle adj. - 1 pair
10	1 057 520	1	Insert tube left asmb Code 38-808
10a	1 057 521	1	Insert tube right asmb Code 38-808
			Code 40; Seat width 40cm
-	1 057 524	1	Single footplates Code 40-808 up-fold., angle adj. - 1 pair
10	1 057 522	1	Insert tube left asmb Code 40-808
10a	1 057 523	1	Insert tube right asmb Code 40-808



Sub Unit: Code 808; Foot plates angle adjustable			
Item	Article-No:	Pc	Description
Code 43; Seat width 43cm			
-	1 057 527	1	Single footplates Code 43-808 up-fold., angle adj. - 1 pair
10	1 057 525	1	Insert tube left asmb Code 43-808
10a	1 057 526	1	Insert tube right asmb Code 43-808
Code 46; Seat width 46cm			
-	1 057 543	1	Single footplates Code 46-808 up-fold., angle adj. - 1 pair
10	1 057 528	1	Insert tube left asmb Code 46-808
10a	1 057 529	1	Insert tube right asmb Code 46-808
Code 48; Seat width 48cm			
-	1 057 544	1	Single footplates Code 48-808 up-fold., angle adj. - 1 pair
10	1 059 892	1	Insert tube left asmb Code 48-808
10a	1 059 893	1	Insert tube right asmb Code 48-808
Code 50; Seat width 50cm			
-	1 064 537	1	Single footplates Code 350-808 up-fold., angle adj. - 1 pair
10	1 064 530	1	Insert tube left asmb Code 350-808
10a	1 064 531	1	Insert tube right asmb Code 350-808
Code 53; Seat width 53cm			
-	1 064 538	1	Single footplates Code 53-808
10	1 064 532	1	Insert tube left asmb Code 53-808
10a	1 064 533	1	Insert tube right asmb Code 53-808
->Attention! State the corresponding colour code when ordering lower part of legrests, respectively foot boards.			

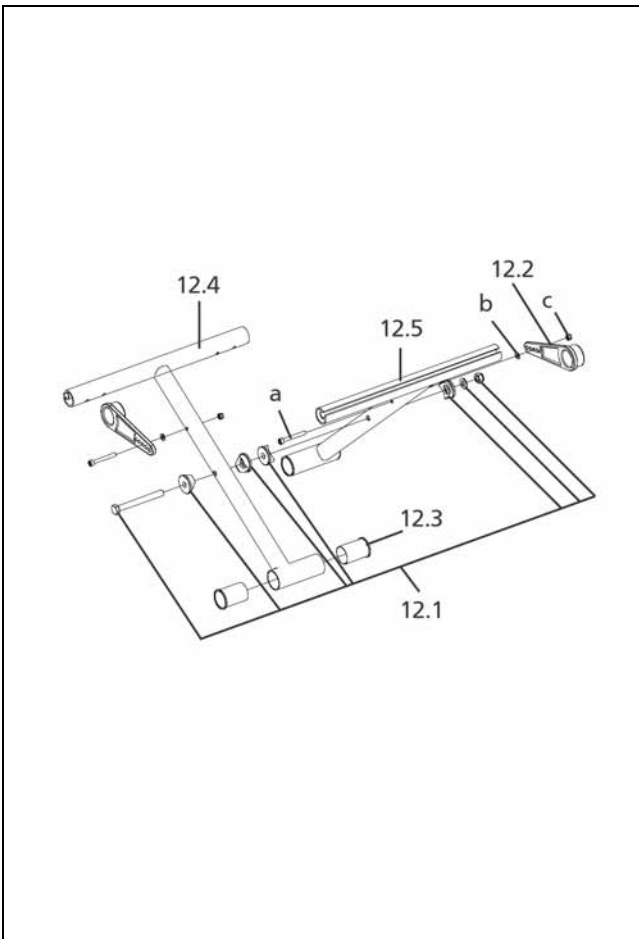


EUROCHAIR AVANTI / a
Component unit: Cross braces



Sub Unit: Cross braces for frame length Code 351

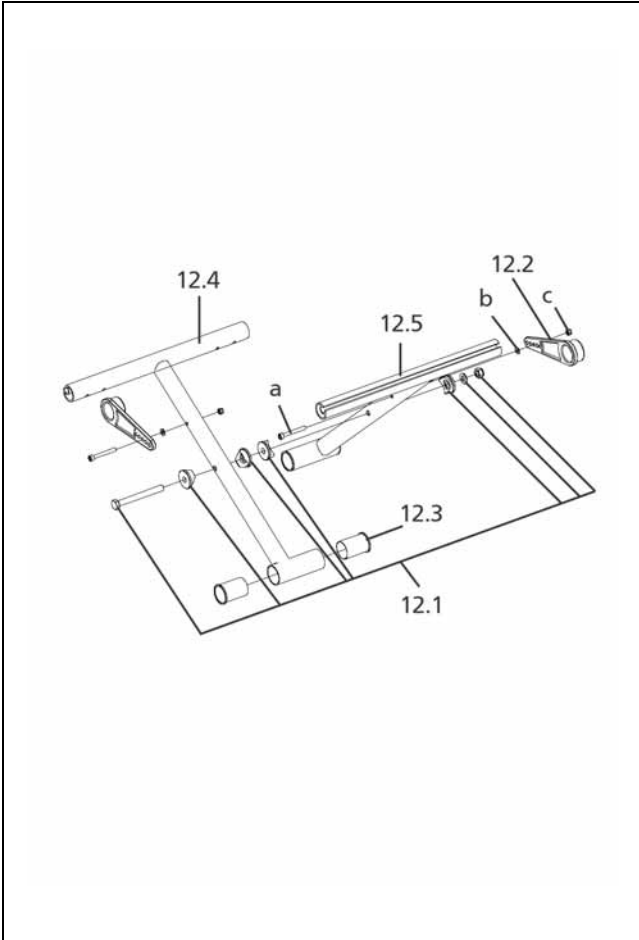
Item	Article-No:	Pc	Description
-	205 214 906	4	Crossbrace fixing
12.3	1 046 193	4	Socket ->Attention! Glue bushing with Loctite 401, item-no.: 205 539 200.
12.1	5 005 235	1	Crossbrace screw connection, complete
12.2	1 044 528	2	Crossbrace strut
a	207 301 600	2	Cheese head screw DIN 912/8.8 M5x40
b	207 330 100	4	Washer DIN 125-B5,3 St A3T
c	207 322 000	2	Locknut, DIN 980/8, M5
Code 32; Seat width 32cm			
-	5 006 414	1	Cross brace asmb.
12.4	1 044 665	1	Front crossbrace-half
12.5	1 044 670	1	Rear crossbrace-half
Code 34; Seat width 34cm			
-	5 006 413	1	Cross brace asmb.
12.4	1 044 666	1	Front crossbrace-half
12.5	1 044 671	1	rear crossbrace-half
Code 36; Seat width 36cm			
-	5 006 415	1	Cross brace asmb.
12.4	1 044 667	1	Front crossbrace-half
12.5	1 044 672	1	Rear crossbrace-half



Sub Unit: Cross brace for frame length Code 352

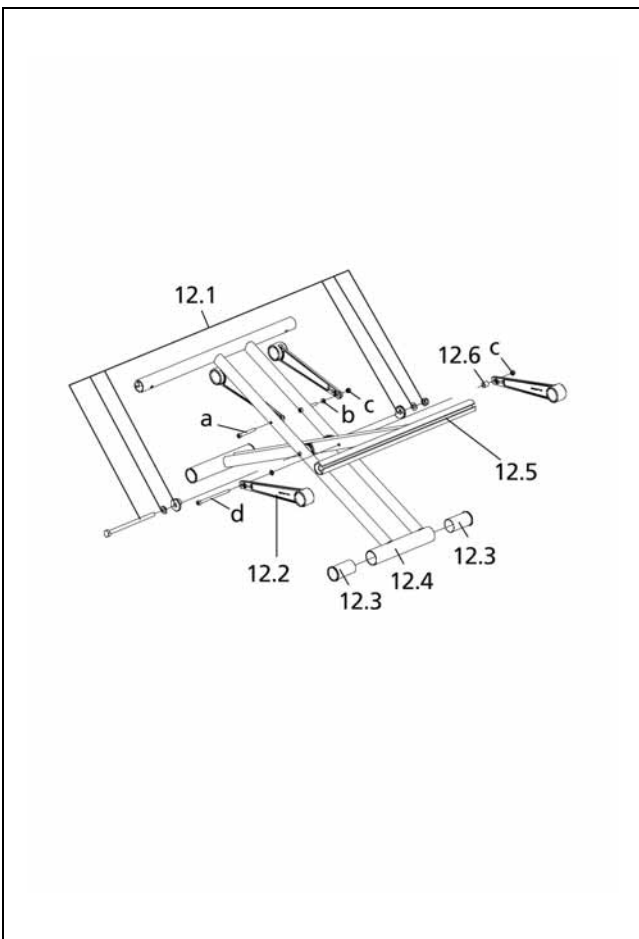
Item	Article-No:	Pc	Description
-	205 214 906	4	Crossbrace fixing
-	1 055 014	1	Distancer tube
12.3	205 215 006	4	Bush/sleeve ->Attention! Glue bushing with Loctite 401, item-no.: 205 539 200.
12.1	5 005 449	1	Crossbrace screw connection complete
12.2	1 054 307	2	Cross brace
a	207 301 600	2	Cheese head screw DIN 912/8.8 M5x40
b	207 330 100	4	Washer DIN 125-B5,3 St A3T
c	207 322 000	2	Locknut, DIN 980/8, M5
-	207 123 700	2	Cheese head screw DIN 912 M 5x50 8.8
Code 38; Seat width 38cm			
-	1 052 103	1	Crossbrace, assembled
12.4	1 039 292	1	Front crossbrace-half seat width 40 cm
12.5	1 039 295	1	Rear crossbrace-half seat width 38 cm
Code 40; Seat width 40cm			
-	1 052 105	1	Crossbrace, assembled
12.4	1 044 666	1	Front crossbrace-half
12.5	1 039 296	1	Rear crossbrace-half seat width 40 cm
Code 43; Seat width 43cm			
-	1 052 106	1	Crossbrace, assembled
12.4	1 039 293	1	Front crossbrace-half seat width 43 cm
12.5	1 039 297	1	Rear crossbrace-half seat width 43 cm

EUROCHAIR AVANTI / a
Component unit: Cross braces



Sub Unit: Cross brace for frame length Code 352

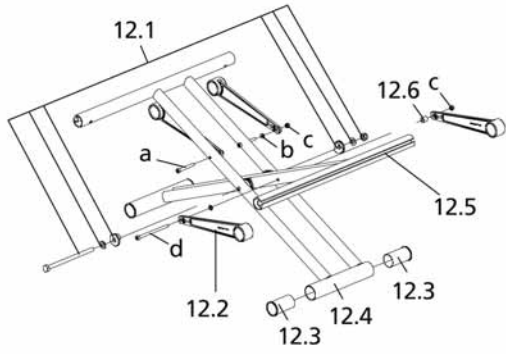
Item	Article-No:	Pc	Description
Code 46; Seat width 46cm			
-	1 052 107	1	Crossbrace, assembled
12.4	1 039 294	1	Front crossbrace-half seat width 46 cm
12.5	1 039 298	1	Rear crossbrace-half seat width 46 cm



Sub Unit: Cross braces for frame length Code 352/353

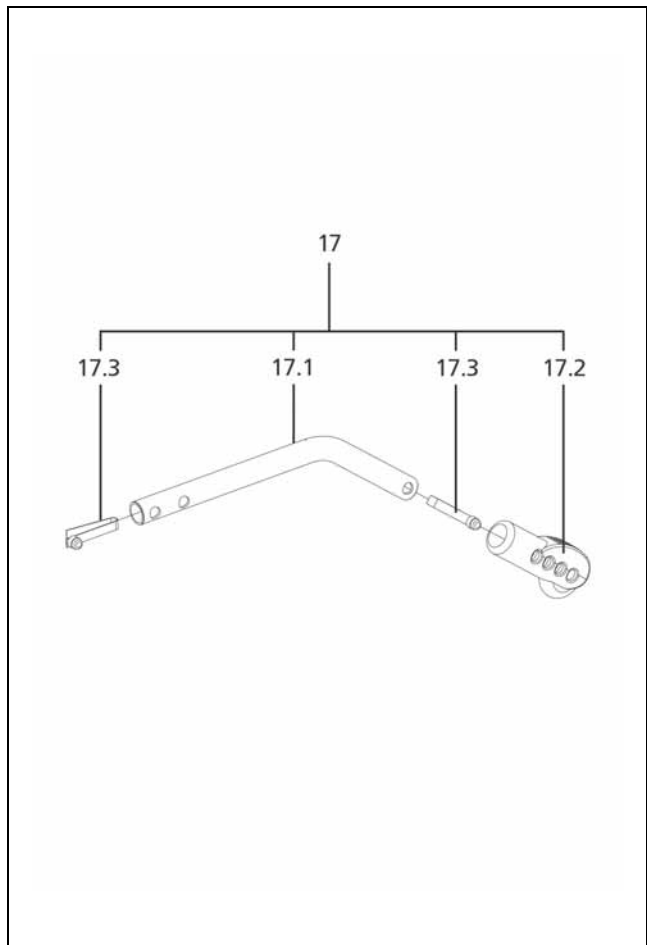
Item	Article-No:	Pc	Description
12.1	5 005 574	1	Crossbrace screw connection complete
12.2	205 221 106	4	Crossbrace strut ->A longer cross brace is mounted from seat width 48.
12.3	205 215 006	4	Bush/sleeve
12.6	1 052 108	1	Distance tube
a	207 301 600	2	Cheese head screw DIN 912/8.8 M5x40
b	207 330 100	3	Washer DIN 125-B5,3 St A3T
c	207 322 000	3	Locknut, DIN 980/8, M5
d	207 304 500	1	Cheese head screw, M5 x 80 DIN 912
Code 48; Seat width 48cm			
-	1 052 110	1	Crossbrace, assembled
12.5	1 041 403	1	Crossbrace-half, inner seat width 48 cm
12.4	1 041 405	1	Crossbrace-half, outer seat width 48 cm
Code 50; Seat width 50cm			
-	1 052 111	1	Crossbrace, assembled
12.5	1 041 404	1	Crossbrace-half, inner
12.4	1 041 406	1	Crossbrace-half, outer
Code 53; Seat width 53cm			
-	1 054 577	1	Cross brace asmb.
12.5	1 047 273	1	Crossbrace-half, inner
12.4	1 047 272	1	Crossbrace-half, outer

EUROCHAIR AVANTI / a
Component unit: Cross braces



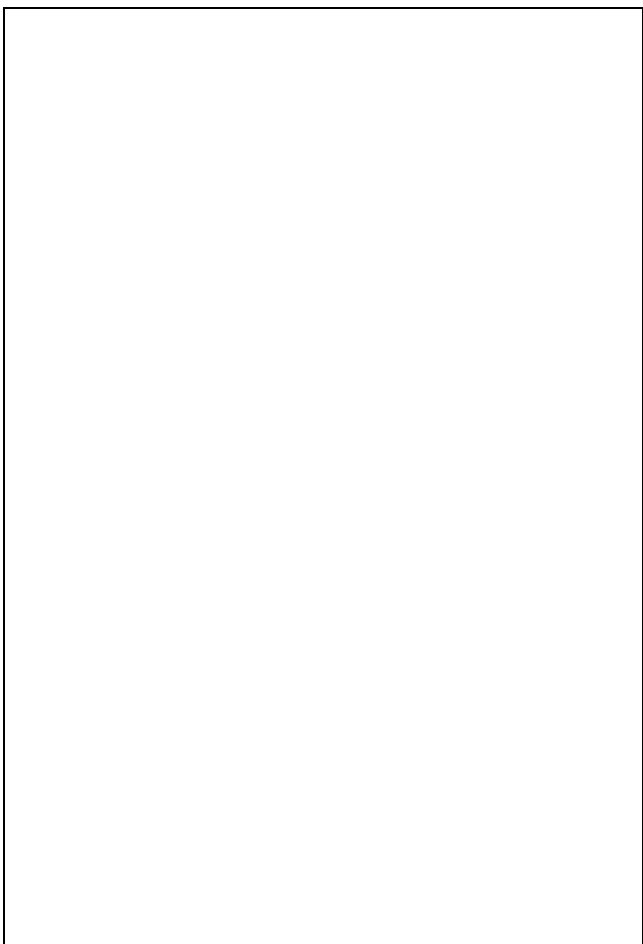
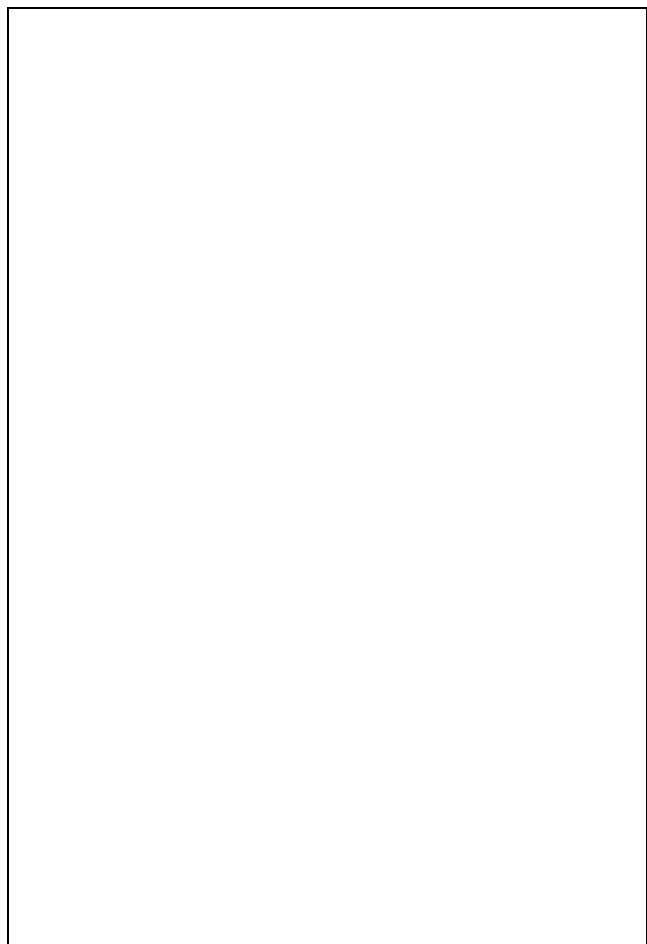
Sub Unit: Cross braces for frame length Code 352/353

Item	Article-No:	Pc	Description
Code 358; Seat width 58 cm			
12.1	1 059 895	4	Cross brace for SW 56 to 60
-	1 064 265	1	Cross brace asmb.
12.5	1 061 451	1	Inner cross brace half Code 358
12.4	1 061 452	1	Outer cross brace half Code 358

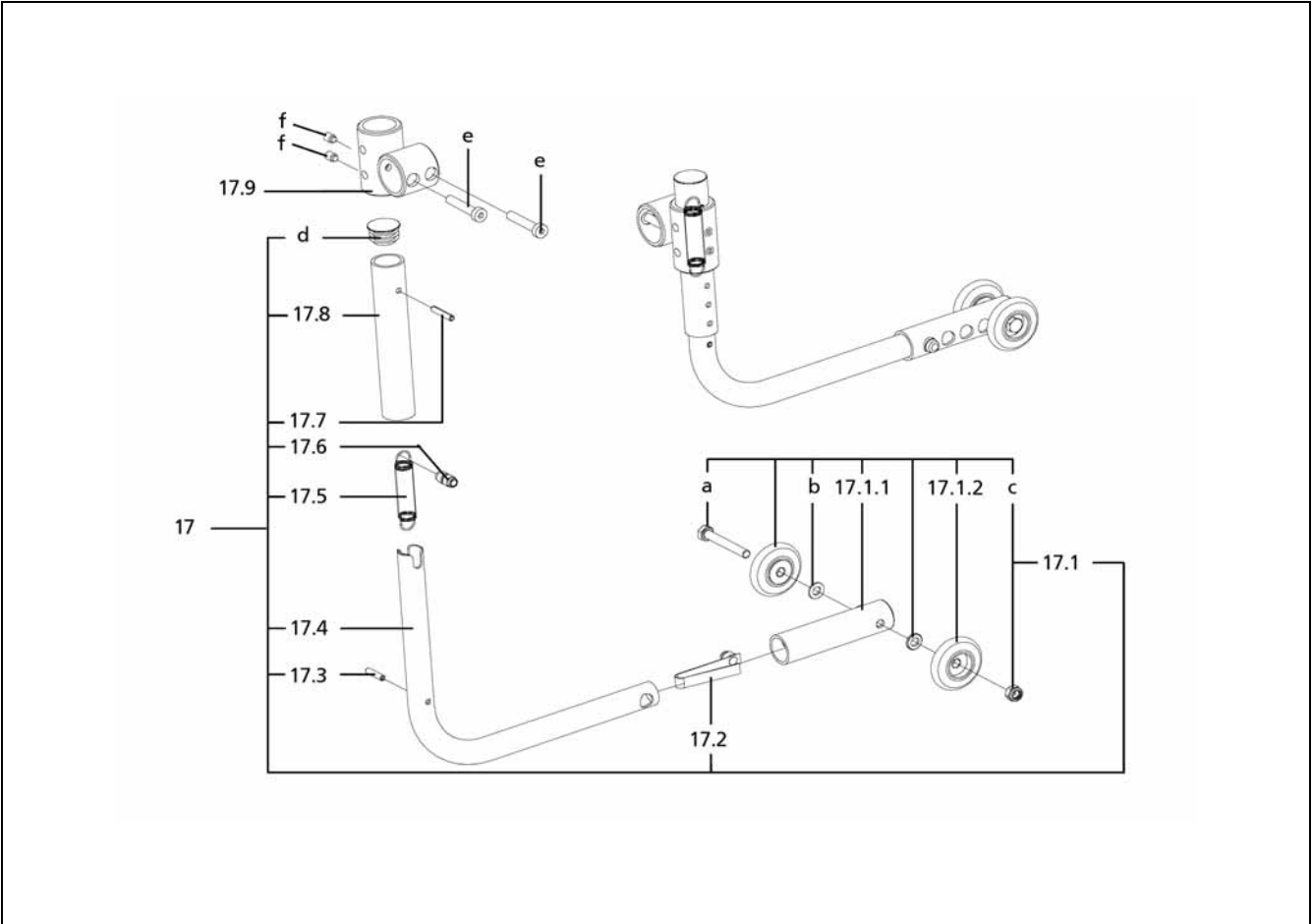


Sub Unit: Code 691; Stick-in support wheels

Item	Article-No:	Pc	Description
-	1 059 825	1	Support castors pair
17	1 059 824	2	Support castor asmb.
17.1	1 057 854	2	Support tube
17.2	1 058 838	2	Support bit (f tube D=21.0 mm)
17.3	1 040 688	4	Snap spring

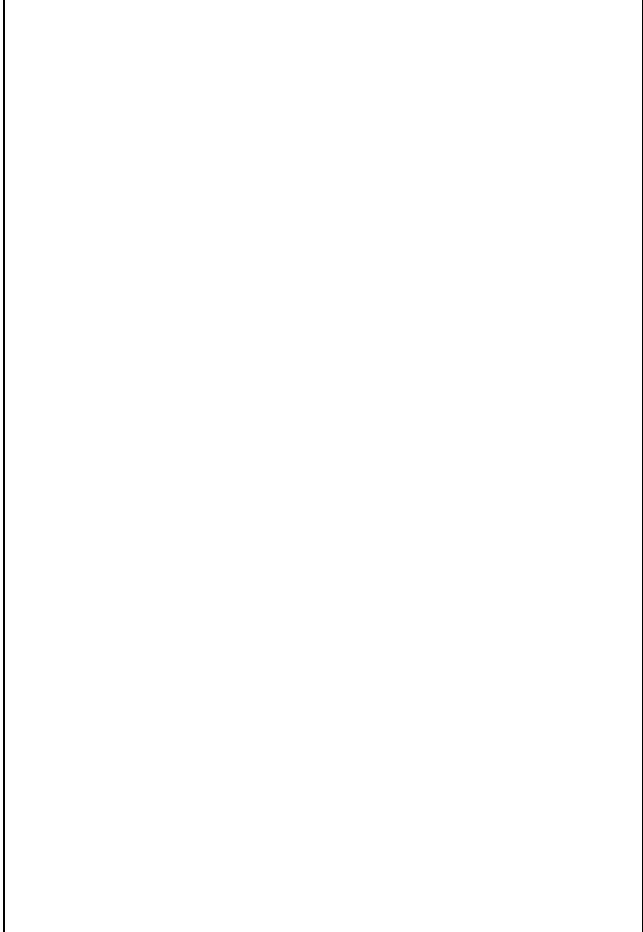


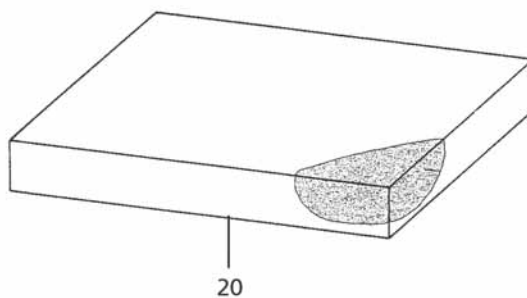
EUROCHAIR AVANTI / a
Component unit: Support wheels



Sub Unit: Code 728; Swivel-away support castor

Item	Article-No:	Pc	Description
-	1 058 876	1	Support castors swivel-away Code 728 - 1 pair
17	1 058 878	1	Support castor left asmb. (order bracket separately!)
-	1 058 879	1	Support castor right asmb. (order bracket separately!)
17.1	1 042 485	1	Adjusting tube assembled
17.1.1	1 042 484	1	Adjustment tube cpl.
17.1.2	205 209 606	2	Wheel, 40 mm, black
17.2	1 040 688	1	Snap spring
17.3	207 049 000	1	Dowel pin DIN 1481 4x18
17.4	1 058 877	1	Swivel tube
17.5	206 309 100	1	Tension spring Z-100 J
17.6	1 044 979	1	Bush sleeve spring mount
17.7	207 914 800	2	Dowel pin DIN 1481 4x22
17.8	1 044 978	1	Guide tube
17.9	1 058 146	1	Shunting castor receptacle
a	207 300 400	1	Hexagon screw DIN 931 M6x45
b	207 330 200	2	Washer, DIN 125-B6, 4 St. A3T
c	207 320 100	1	Locknut, DIN 980/8, M6, A3T
d	205 047 400	1	Round plug 22, 22x1,5 SFL
e	1 055 240	2	Special screw M6X33 8.8 A3T
f	207 201 300	2	Threaded pin DIN 915 M6x8

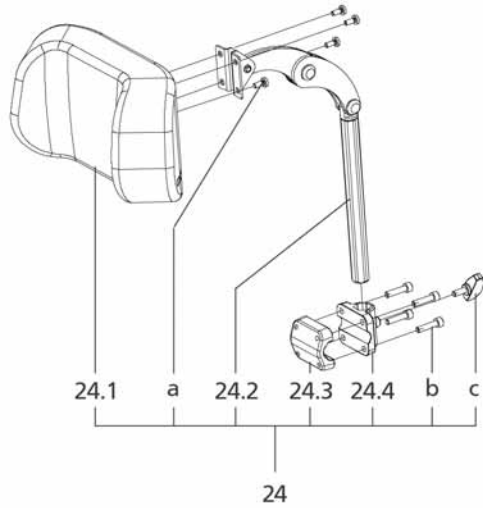




SD=Seat depth
SW=Seat width

		SW 32	SW 34	SW 35	SW 36	SW 38	SW 40	SW 43	SW 46	SW 48	SW 50	SW 53	SW 58
SD 33	3 cm	1064660	1064662	-	1064662	-	-	-	-	-	-	-	-
SD 33	6 cm	-	1064677	-	1064677	-	-	-	-	-	-	-	-
SD 35	3 cm	1045460	1046373	1046373	1046373	-	-	-	-	-	-	-	-
SD 35	6 cm	-	1046798	-	1046798	-	-	-	-	-	-	-	-
SD 38	3 cm	1045461	1046374	-	1046374	-	-	-	-	-	-	-	-
SD 38	6 cm	-	1046799	-	1046799	-	-	-	-	-	-	-	-
SD 40	3 cm	-	-	-	-	1046377	1046377	1006685	1006705	1046378	1046378	-	-
SD 40	6 cm	-	-	-	-	1046802	1046802	1007054	1007074	1046803	1046803	-	-
SD 43	3 cm	-	-	-	-	1006685	1006685	-	1015928	-	1046382	-	-
SD 43	6 cm	-	-	-	-	1007054	1007054	-	1016083	-	1046805	-	-
SD 46	3 cm	-	-	-	-	1006705	1006705	1015928	1015929	1046381	1046381	-	-
SD 46	6 cm	-	-	-	-	1007074	1007074	1016083	1016084	1046806	1046806	-	-
SD 48	3 cm	-	-	-	-	-	-	-	-	1046380	1046380	1049051	1064678
SD 48	6 cm	-	-	-	-	-	-	-	-	1046807	1046807	1049052	1064655
SD 50	3 cm	-	-	-	-	-	-	-	-	1046380	1046380	1049056	1064678
SD 50	6 cm	-	-	-	-	-	-	-	-	-	1046807	1049052	1064655
SD 53	3 cm	-	-	-	-	-	-	-	-	1049056	1049056	1049057	1064679
SD 53	6 cm	-	-	-	-	-	-	-	-	-	1049061	1049052	1064657

EUROCHAIR AVANTI / a
Component unit: Other criteria



Sub Unit: Code 913; Head support, removable

Item	Article-No:	Pc	Description
24	1 062 147	1	Head support asmb.Code 913-254 (with clamp D=17.5 to 22mm)
24.1	1 061 023	1	Head shell Code 254-913 (cushion asmb.)
24.2	1 059 669	1	Head support bracket cpl. (telescopic tube)
24.3	1 059 665	1	Head support clamp (without receptacle)
24.4	1 059 664	1	Head support bracket (incl. hex. socket receptacle)
a	207 301 300	4	Fillister head screw DIN 7985- M5x12-4.8 A3K
b	207 126 000	4	Cheese head screw,M6x25,DIN912 -8.8 M VC
c	205 114 800	1	WING SCREW M 6 X 15

Sub Unit: Accessories

Item	Article-No:	Pc	Description
			Reversion kit
-	5 006 408	1	Refit kit to Code 651/685-706 (note wheels separately !!!)
-	5 006 409	1	Refit kit to Code 651-502/706 (note wheels separately !!!)
			Code 819; Reflectors
-	1 047 486	1	Passive illumination
-	1 047 487	2	Sheet metal retainer code 819
-	206 961 500	2	Spoke reflector, No. 310
-	206 960 800	4	Rear light, red (31,5 x 70)
			Code 833; Safety belt
-	1 041 414	1	Safety belt, Code 833
			Code 912; Air pump with bracket
-	1 032 429	1	Air pump with holder, code 912
-	205 630 300	1	Hose/inner tube pump, black
-	205 538 000	2	Air pump holder
			Code 929; Therapy table acrylic glas, adj.
-	1 064 894	1	Therapy table asmb. Code 929 SW 26 to 36 cm adjustable
-	1 064 946	1	Therapy table asmb. Code 929 SW 38 to 48 cm adjustable
-	1 064 947	1	Therapy table asmb. Code 929 SW 50 to 58 cm adjustable
			Code 931; Half tray therapy table
-	205 651 600	1	Half-round rivet
-	205 651 500	1	Half-round rivet

Sub Unit: Accessories

Item	Article-No:	Pc	Description
			Code 936; Sliding board
-	205 029 500	1	Slip board, Code 936
			Code 946; Calf belt, divided (on footplate)
-	1 057 538	1	Single calf strap for footpl. 1 pair - Code 946
			Code 951; Accessory net
-	205 538 400	1	Hospital chair net Code 951
			Code 962; Backpack "Life"
-	205 642 506	1	Universal rucksack, Code 962
			Code 970; Walking stick holder
-	1 063 168	1	Cane holder cpl. -refit kit (clips screw set) 0684

EUROCHAIR AVANTI / a
Notes



Your specialist dealer



MEYRA-ORTOPEDIA
Vertriebsgesellschaft mbH
Meyra-Ring 2 • D-32689 Kalletal-Kalldorf

MEYRA®
ORTOPEDIA
We move people.

P.O. Box 1703 • D-32591 Vlotho
Fon +49(0)5733 922-333
Fax +49(0)5733 922-9333
info@meyra.de • www.meyra.de
info@ortopedia.de • www.ortopedia.de