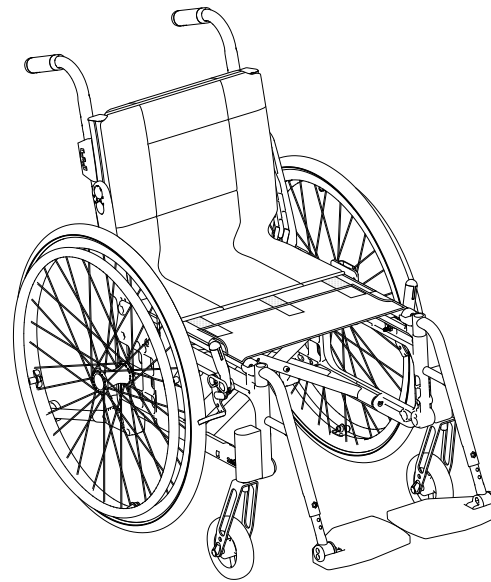


# Etac Cross 5

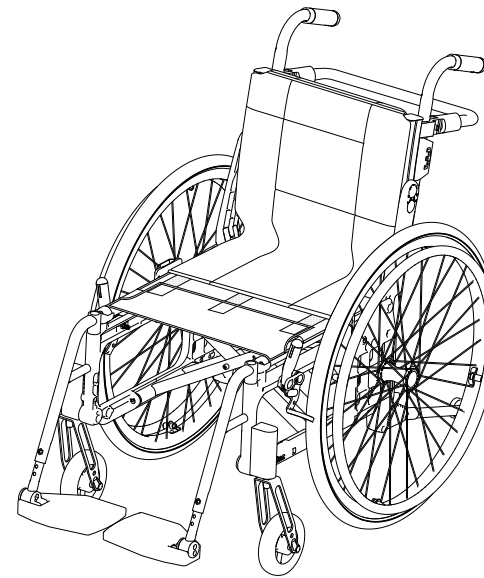
## Spareparts list english



75205.34 2026-01-09



Etac Cross 5



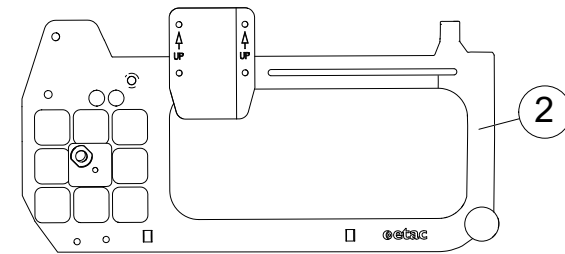
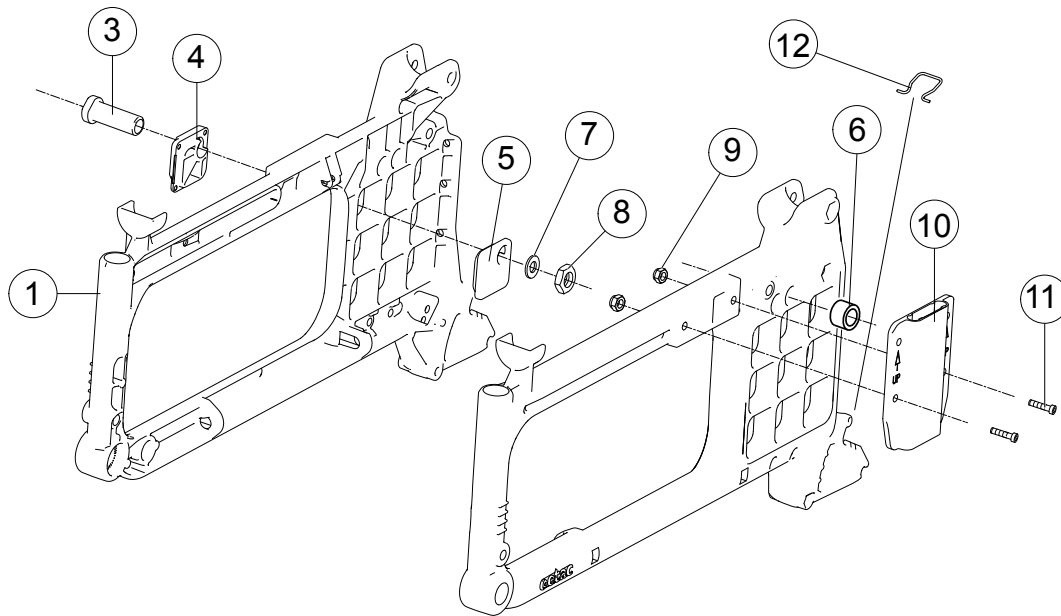
Etac Cross 5 XL

Etac Cross 5 Active

# Index

Index	Page
Side frame	3
Cross frame	4
Back support 3A	5-7
Back support tubes for separate back support, ECS (Crossback 2)	8
Fixed back support with fixed push handles	9
Back support 2B	10
Bow handle	11
Back support brace	12
Leg support	13
Leg support elevating mod 1/ Flip-up	14
Leg support elevating mod 3	15
Amputee leg support	16
Plaster leg support	17
Foot support	18-20
Foot support one piece	21
Brake	22
Rear wheel	23-25
Drum brake	26-27
Drum brakes, fixed back support with fixed push handles	28
Single hand drive	29
Tyre and innertube	30-31
Handrim	32-33
Castor	34-35
Width expansion kit	36
Upholstery seat/Seat extension Cross back 3A	37
Solid seat	38
Back support upholstery Cross back mod. 2	39
Back support upholstery Cross back 3A	40
Back support upholstery Cross back 2B	41
Back support upholstery fixed back	42
Back support cover Cross back mod. 2	43
Back support cover Cross back 3A	44-46
Back support cover Cross back 2B	47
Arm support	48-49
Sideguard	50
Mudguard	51
Thigh support	52
Trunk support Cross back 3A	53-54
Tray	55
Tray Hemi	56
Tray Hemi/Communication	57
Anti tip	58-60
Spoke guard	61
Tetra quick release adapter	62
Cane holder	63
Head support	64
IV stand	65

## Side frame



	Cross 5	Cross 5 XL
1,9-11	●	●
2,9-11	●	
3	●	●
4	●	●
5	●	●
6	●	●

	Cross 5	Cross 5 XL
7	●	●
8	●	●
9	●	●
10	●	●
11	●	●
12	●	●
13	●	●

**Frame colors:**

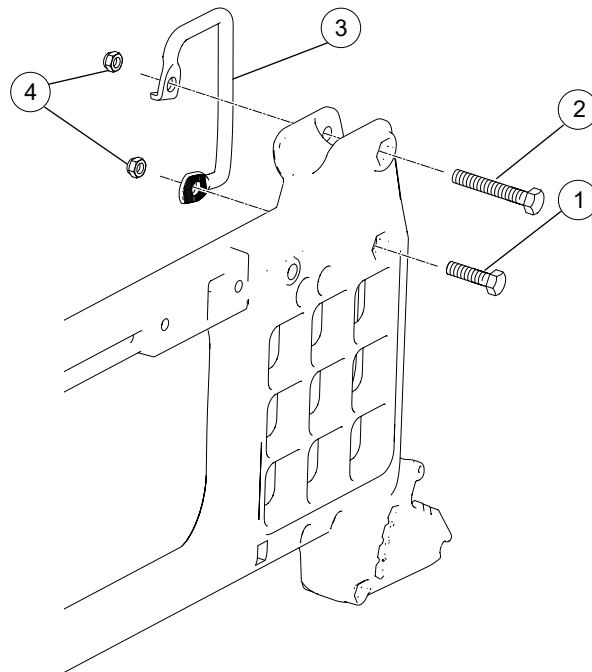
01= matte black, 92=white, 93=dark blue

	Cross 5	Cross 5 XL
1,9-11	●	●
2,9-11	●	
3	●	●
4	●	●
5	●	●
6	●	●

Pos.	Description	Item. no.
1,9-11	Side frame Cross 5 short right Side frame Cross 5 short left Side frame Cross 5 long right Side frame Cross 5 long left	27520-xx-1 27520-xx-2 27521-xx-1 27521-xx-2
2,9-11	Side frame Cross 5 active short right Side frame Cross 5 active short left Side frame Cross 5 active long right Side frame Cross 5 active long left	27680-01-1 27680-01-2 27681-01-1 27681-01-2
3	Axle sleeve M100 D12	20024
4	Camber washer outer 2° Camber washer outer 0°	82567 82569
5	Camber washer inner 2° Camber washer inner 0°	82568 82570
6	Spacer low chair rear wheel	82588



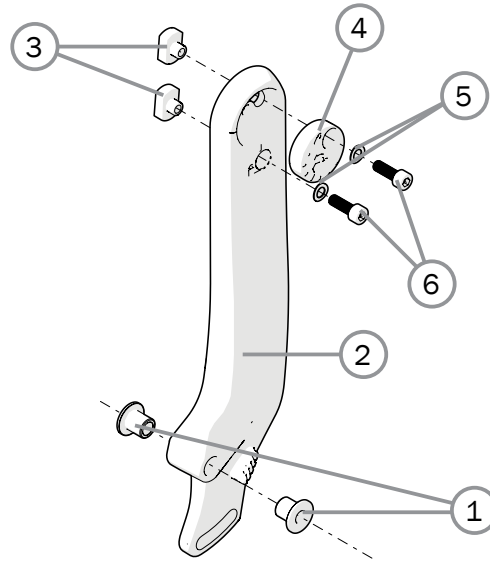
## Back support 3A



Pos.	Description	Item. no.
1	Screw M8x30 M6S	11363
2	Screw M8x55 M6S	11432
3	Securement points Cross 5 ri Crossback 3A	82573
	Securement points Cross 5 le Crossback 3A	82574
4	Locking nut M8x1 DIN 985	12051

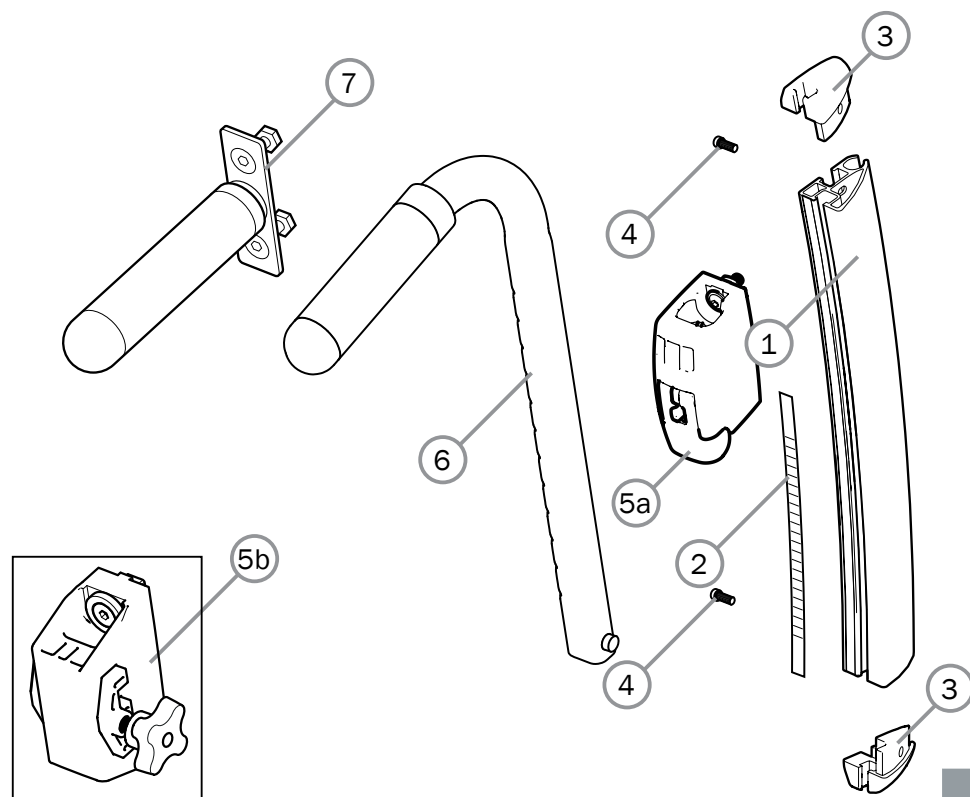
Cross 5	Cross 5 XL
●	●
●	●
●	●
●	●

## Back support 3A



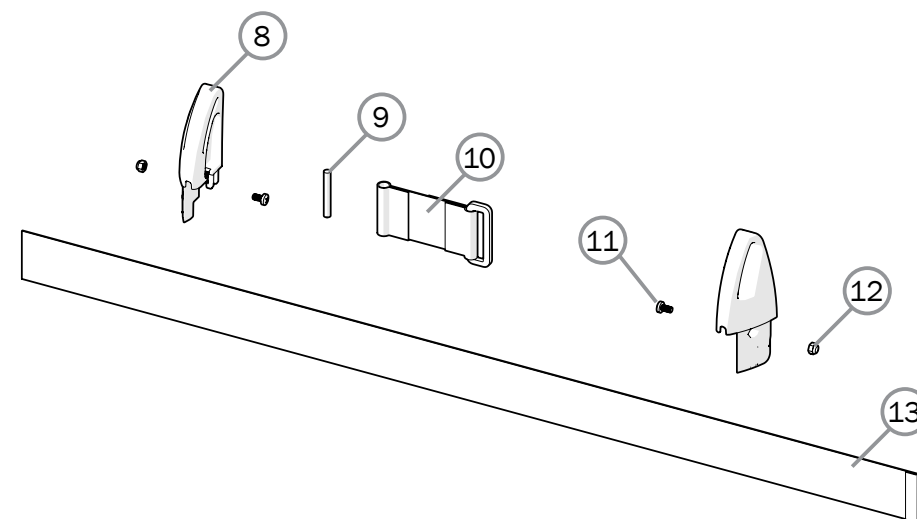
Pos.	Description	Item. no.		
			Cross 5	Cross 5 XL
1	Pin bushing Cross back 3A	82504	●	●
2	Back support chassis Cross back 3A right	83290-1	●	●
	Back support chassis Cross back 3A left	83290-2	●	●
3	Nut T-slot back Cross back mod 3	20028	●	●
4	Eccentric washer back support frame	83291	●	●
5	Circlip M6 wavy zink plated	13113	●	●
6	Screw M6x20 MC6S 12.9	11684	●	●

## Back support 3A cont.



Pos.	Description	Item. No.
1	Back rail Cross 3A right	83013-1
	Back rail Cross 3A left	83013-2
2	Label height adjustment	71377
	Label height adjustment high	71378
3	Dust cover 1 with locking nut	84109
	Dust cover 2 with locking nut	84110
4	Screw MRX M4x8	11441
5a	Attachment push handle height adj 3A mod 4	28576
5b	Attachment push handle ri height adj Cross mod 3	27371-1
	Attachment push handle le height adj Cross mod 3	27371-2

	Cross 5	Cross 5 XL
1	●	●
2	●	●
3	●	●
4	●	●
5a	●	
5b	●	●

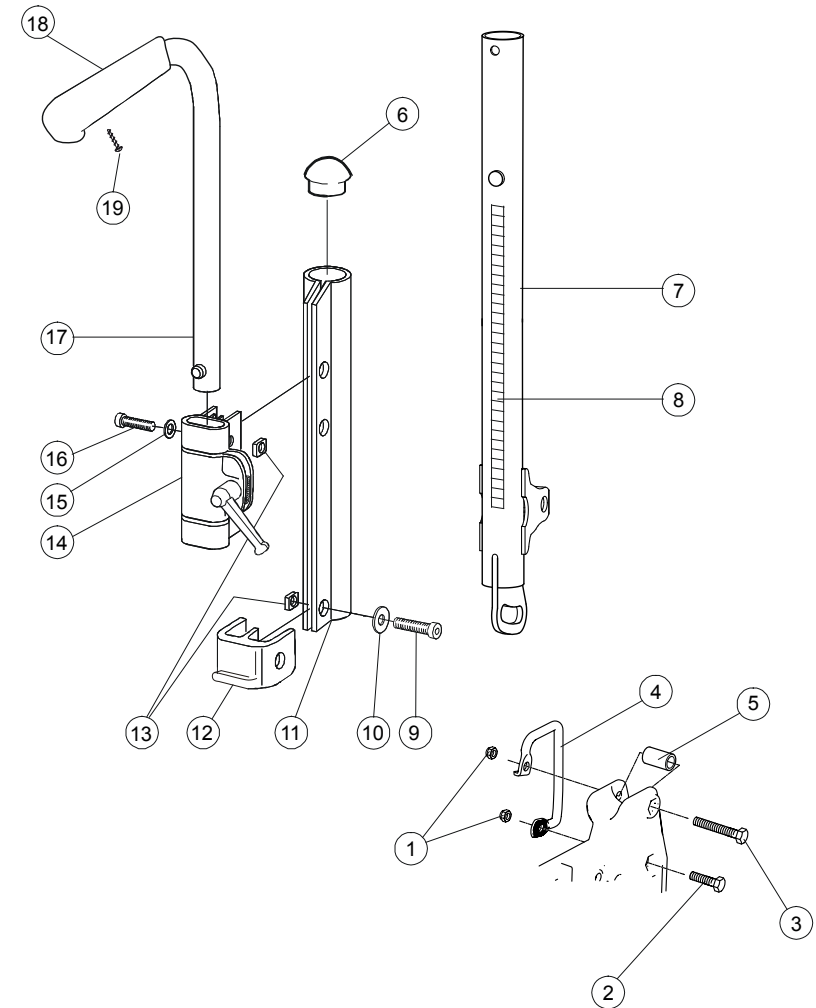


Pos.	Description	Item. No.
6	Push handles h adj Cross 100 mm	27588-01
	Push handles h adj Cross XL 100 mm	27589-01
	Push handles h adj Cross XL 75 mm	27341-01
7	Push handle fixed Crossback 3A	27644
8-14	Extension back 3A 35-40 cpl	28658
	Extension back 3A 42,5-50 cpl	28659
	Extension back 3A 52,5-60 cpl	28660
8	Extension back R	51223-1
	Extension back L	51223-2
9	Tension rod	51222
10	Loop extension back 3A cpl	63294
11	Screw M4x8 MRX black 4.8 pos	11441
12	Locking nut M4 zink plated	12026
13	Seat depth extension 35-40 cm	63291
	Seat depth extension 42,5-50 cm	63292
	Seat depth extension 52,5-60 cm	63293

	Cross 5	Cross 5 XL
6	●	●
7	●	●
8-14	●	●
8	●	●
9	●	●
10	●	●
11	●	●
12	●	●
13	●	●

## Back support tubes for separate back support, ECS (Crossback 2)

Pos.	Description	Item. No.		
			Cross 5	Cross 5 XL
1	Locking nut M 8x 1 DIN 985	12051	●	●
2	Screw M 8x 1x30 black	11363	●	●
3	Screw M8x1x55 M6S 10.9 black	11432	●	●
4	Securement points Cross 5 right	82573	●	●
	Securement points Cross 5 left	82574	●	●
5	Joint support backrest	20319	●	●
6	Plug 25-21/23 R12.5	50248	●	●
7	Back tube Cross back 2	25593-01	●	●
8	Label height adjustment	71851	●	●
9	Screw M 6x 22 MC6S fzb	11012	●	●
10	Washer BRB 6x3x10x1.5 fzb	13080	●	●
11	Wedge back 6063A-T6	80851	●	●
12	Dust cover Cross back 2 right	50405	●	●
	Dust cover Cross back 2 left	50407	●	●
13	Square nut high M6	12058	●	●
6-13	Back support tube compl. right	25609-01-1	●	●
	Back support tube compl. left	25609-01-2	●	●
14	Attachement push handles	25676	●	●
15	Washer BRB M 6	13030	●	●
16	Screw M6x30 MC6S 8.8 black esloc	11398	●	●
17	Push handles heightadjustable	27298	●	●
18	Cover for handle	82221	●	●
19	Screw M6 x 25	11041	●	●
17-19	Push handle h adj Cross std	27338-01	●	●

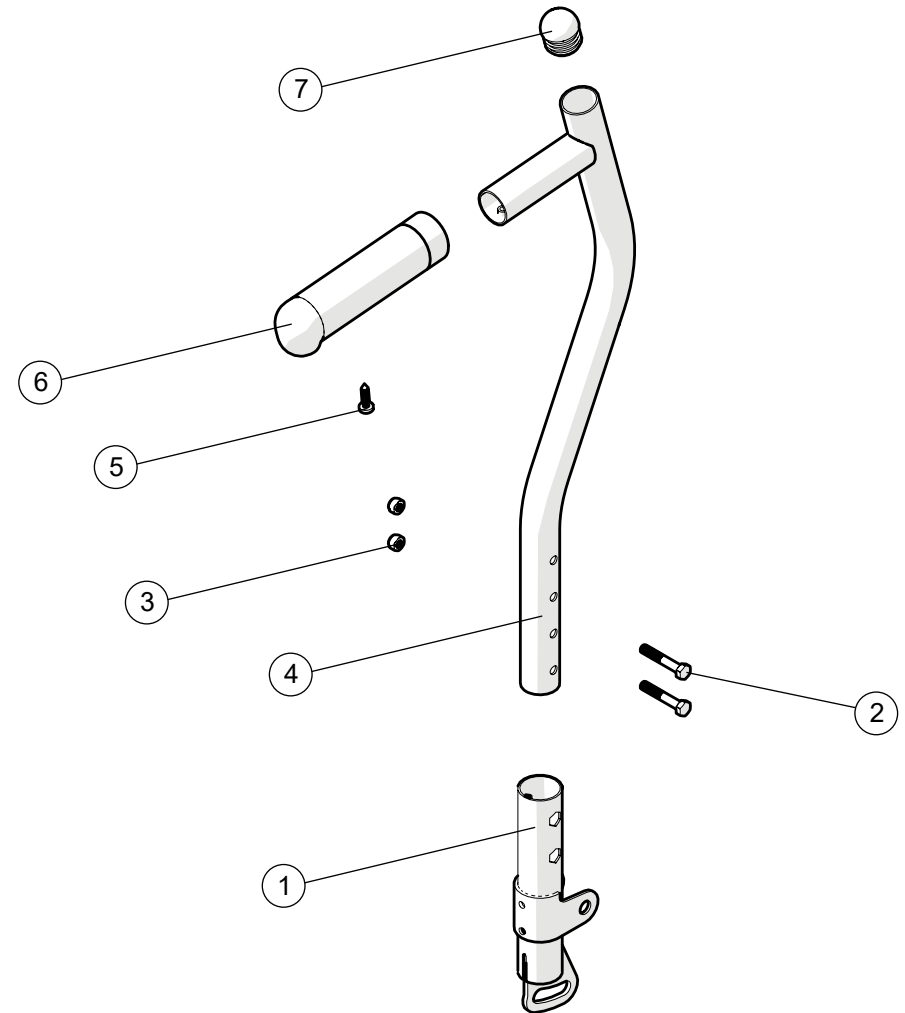




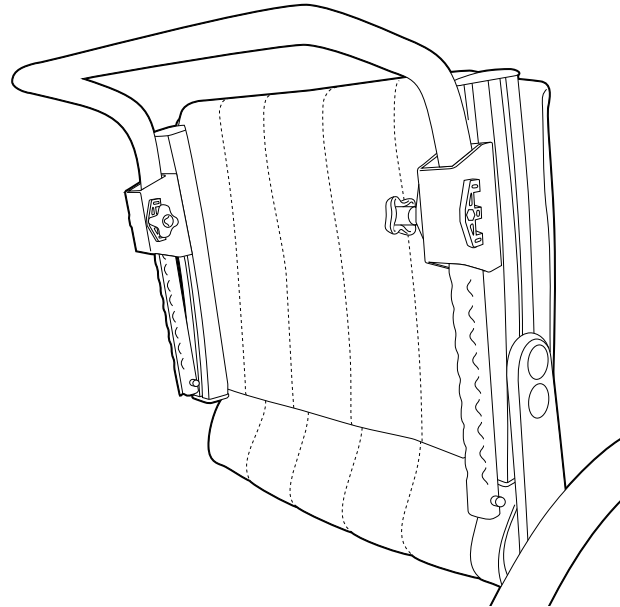
## Back support 2B

Pos.	Description	Item. No.
1	Back support attachment B2B cpl	28366-01
2	Screw M 5x 30 M6S zink plated	11403
3	Locking nut M 5 black DIN 985-6	12060
4	Back support tube low	
	Back support tube high	
4-7	Back support tube with push handle B2B low incl cover for handle	28378
	Back support tube with push handle B2B high incl cover for handle	28379
5	Screw B 8x16 RTS zink plated 4.2	11041
6	cover for handle L80	28364
7	End plug black	51174

	Cross 5	Cross 5 XL
	●	
	●	
	●	
	●	
	●	
	●	
	●	



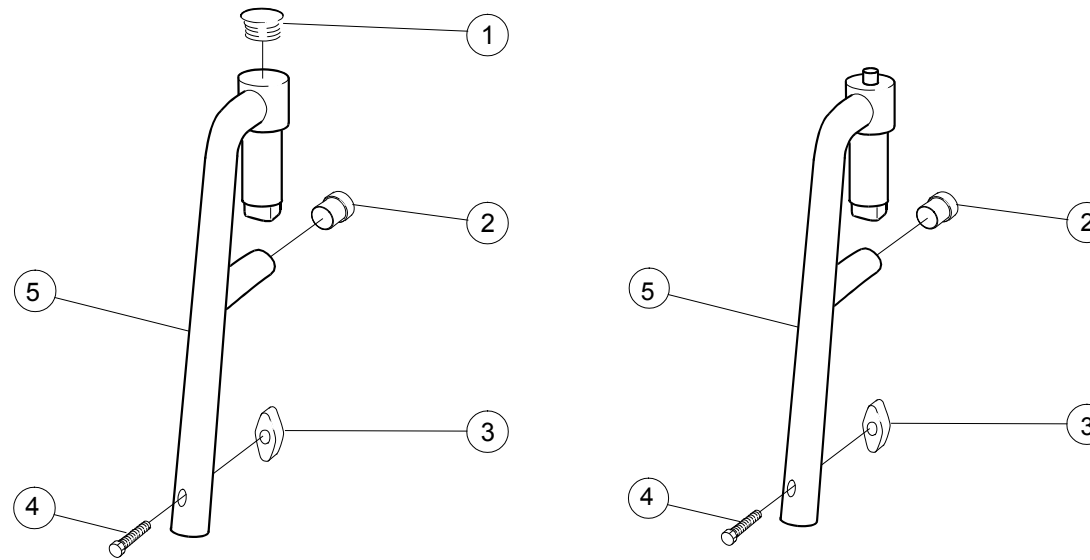
## Bow handle



Pos.	Description	Item. No.		
			Cross 5	Cross 5 XL
1	Bow handle 32.5 cm back 3A 35 cm height adj compl	27433-01	●	
	Bow handle Cross back 2 35 cm back 3A 37.5 cm height adj compl	25578-01	●	
	Bow handle Cross back 2 37.5 cm back 3A 40 cm height adj compl	25579-01	●	
	Bow handle Cross back 2 40 cm back 3A 42.5 cm height adj compl	25580-01	●	
	Bow handle Cross back 2 42.5 cm back 3A 45 cm height adj compl	25581-01	●	
	Bow handle Cross back 2 45 cm back 3A 47.5 cm height adj compl	25582-01	●	
	Bow handle Cross back 2 47.5 cm back 3A 50 cm height adj compl	25730-01	●	
	Bow handle Cross XL 45 cm back 3A 47.5 cm height adj compl	27434-01		●
	Bow handle Cross XL 47.5 cm back 3A 50 cm height adj compl	26063-01		●
	Bow handle Cross XL 50 cm back 3A 52.5 cm height adj compl	26064-01		●
	Bow handle Cross XL 52.5 cm back 3A 55 cm height adj compl	26068-01		●
	Bow handle Cross XL 55 cm back 3A 57.5 cm height adj compl	26069-01		●
	Bow handle Cross XL 57.5 cm back 3A 60 cm height adj compl	26070-01		●

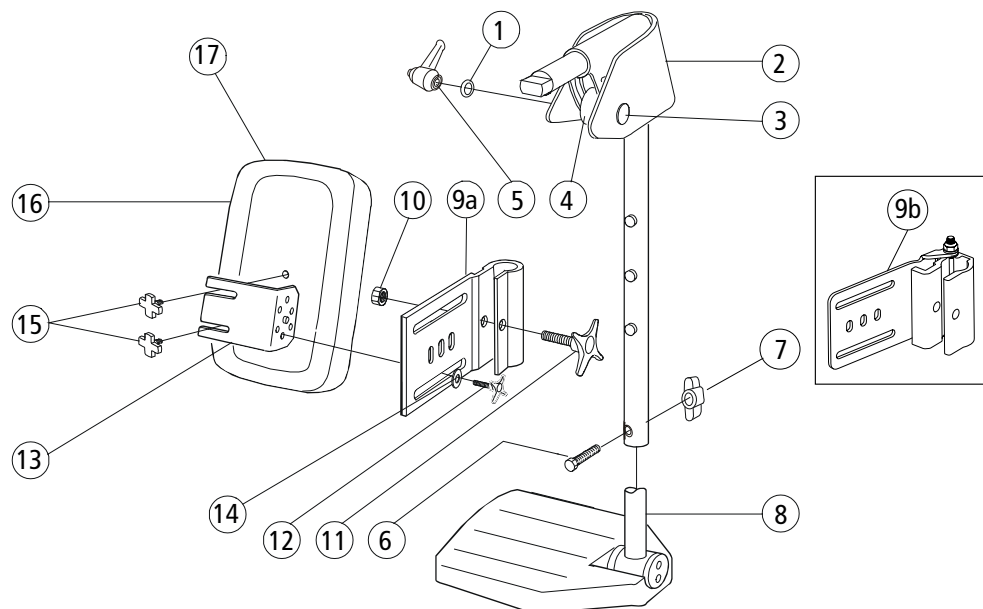


## Leg support



Pos.	Description	Item. No.		
			Cross 5	Cross 5 XL
1	Dust cover leg support	50287	●	●
2	Dust cover 16x 1 black	50240	●	●
3	Wing nut M6	80847	●	●
4	Screw M6x30 M6S 8.8 zink plated DIN 931	11555	●	●
1-5	Leg support narrow angle	25570-01	●	●
	Leg support wide angle	25574-01	●	●
	Leg support narrow short	25571-01	●	
2-5	Leg support narrow short lockable	25572-01	●	
	Leg support narrow lockable	25573-01	●	
	Leg support wide lockable	25575-01	●	●

## Elevating leg support model 1



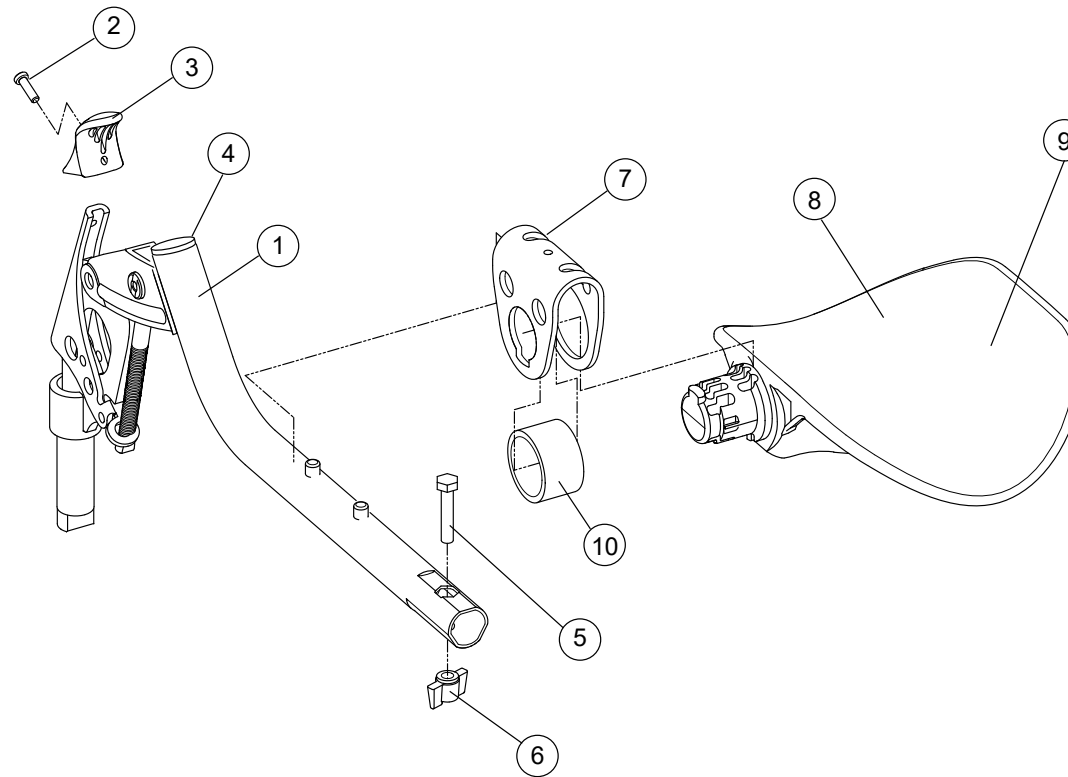
	Cross 5	Cross 5 XL
1	●	●
2	●	●
3	●	●
4	●	●
5	●	●
6	●	●
7	●	●
1-7	●	●
8		
9a	●	●
10	●	●
11	●	●
12	●	●

13	Holder for calf support leg support elevating black	24421-01	●	●
14	Washer 6.4x17x3 DIN 7349 steel zink plated	13052	●	●
9a-14	Attachment leg support elevating with holder black	24544-01	●	●
9b-14	Attachment leg support FlipUp elevating with holder black	27322-01	●	●
15	Knob M 5x15 leg support	80807	●	●
15-16	Calf support 35-37.5 cm dark grey	62105-60	●	
	Calf support 40-42.5 cm dark grey	62104-60	●	
	Calf support 45-47.5 cm dark grey	62484-60	●	●
	Calf support 50-60 cm dark grey	62451-60	●	●
17	Cover calf support 35-37.5	62888-60	●	
	Cover calf support 40-42.5	62889-60	●	
	Cover calf support 45-47.5	62890-60	●	●
	Cover calf support 50-60	62906-60	●	●

	Cross 5	Cross 5 XL
13	●	●
14	●	●
9a-14	●	●
9b-14	●	●
15	●	●
15-16	●	
15-16	●	
15-16	●	●
15-16	●	●
17	●	
17	●	
17	●	●
17	●	●

Pos.	Description	Item. No.
1	Washer NB 6x16x1.0 black crome	13034
2	Joint guard leg support angle adjustable	62176
3	Screw M 6x 40 MVBF zink plated	11234
4	Spacer leg support vrb Cross	20414
5	Handle M 6x25 43 mm black	80488
6	Screw M 6x 30 M6S zink plated	11555
7	Wing nut M 6	80847
1-7	Leg support elevating mod 1 Cross black	25660-01
8	See page 17 (foot supports)	
9a	Attachment leg support elevating Cross	24446-01
10	Nut M6M M 8 zink plated	12006
11	Knob 60x22 M 8x32 black	80295
12	Knob 40 M 6x17 black	80297

## Elevating leg support model 3



	Cross 5	Cross 5 XL
	●	●
	●	●
	●	●
	●	●
	●	●
	●	●
	●	●

	Cross 5	Cross 5 XL
	●	●
	●	●
	●	●
	●	●
	●	●
	●	●
	●	●

Pos.	Description	Item. No.
1-8, 10	Leg support elevating compl with calf support	26100
2	Screw K40x 10 PT-KX black	11419
3	Handle adj leg support	50842
4	Dust cover 22x2	51020
5	Screw M 6x 30 M6S zink plated	11555
6	Wing nut WN M6	80847
7	Bracket calf support adj leg support	26122

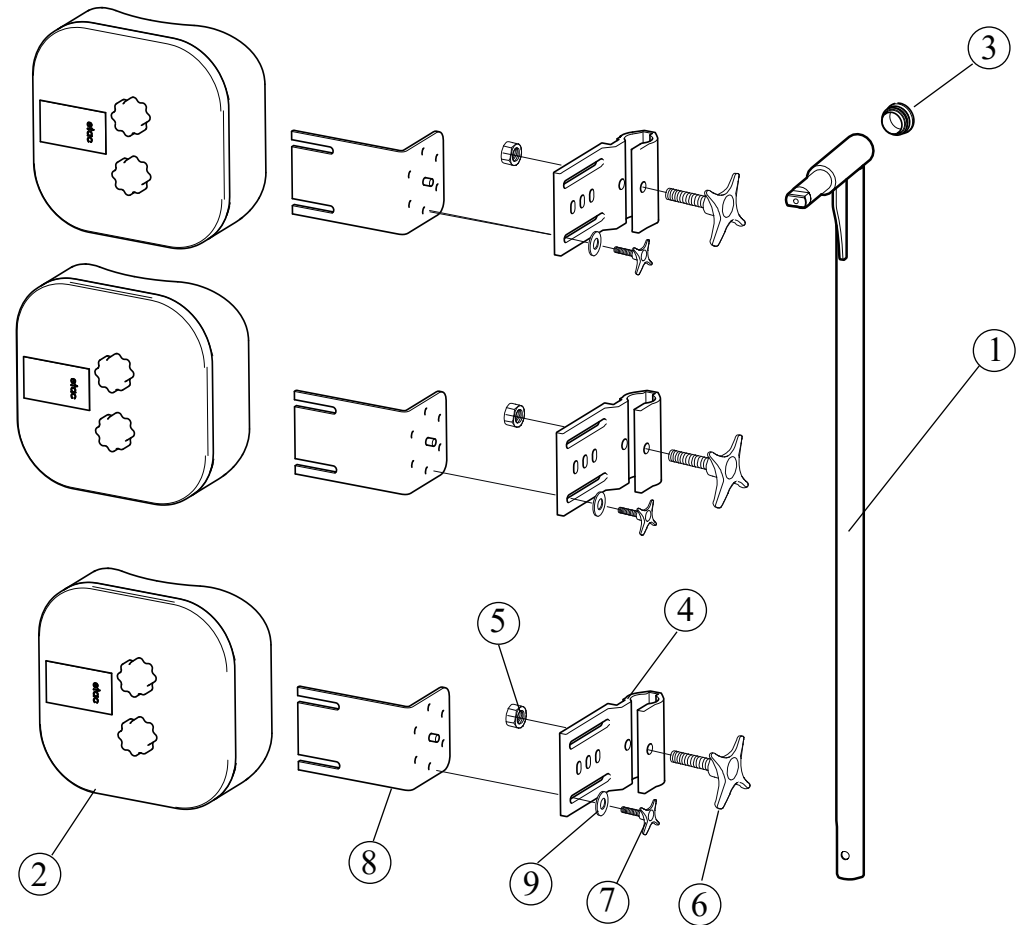
8	Calf support adj leg support	50844
9	Cover calf support elevating leg support dark grey	62762-60
	Cover calf support elevating leg support Dartex	62762-63
10	PUR-ring	50860
7-8, 10	Calf support compl adj leg support	26136
1-6	Leg support elevation without calfsupport	27149



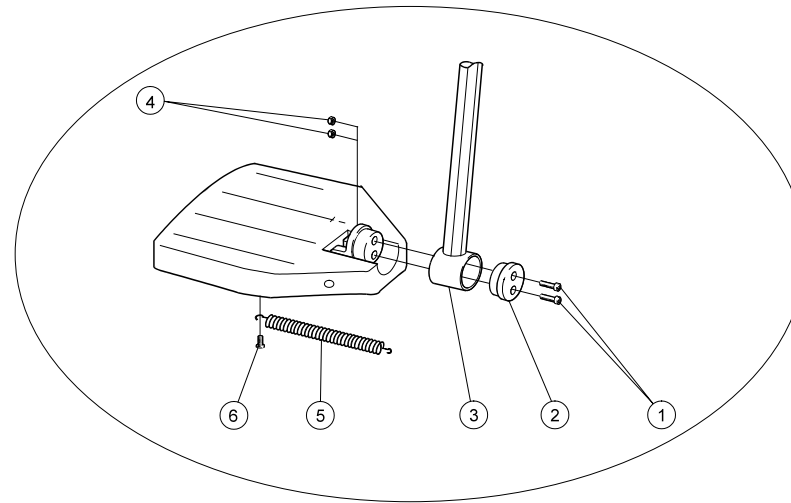
## Plaster leg support

Pos.	Description	Item. No.
1-9	Plaster leg support right	27417-1
	Plaster leg support left	27417-2
1	Plaster leg support	
2	Cushion Plaster leg support	82520
3	End stop	50287
4	Attachment leg support	24446-01
5	Nut M8	12006
6	Knob 60x22 M 8x32 black	80295
7	Knob 40 M6x17 black	80297
8	Holder for calf support	24421-01
9	Washer 6.4x17x3 DIN 7349	13052
4-9	Attachment leg support	24544-01

	Cross 5	Cross 5 XL
	●	●
	●	●
	●	●
	●	●
	●	●
	●	●
	●	●
	●	●
	●	●



## Foot support

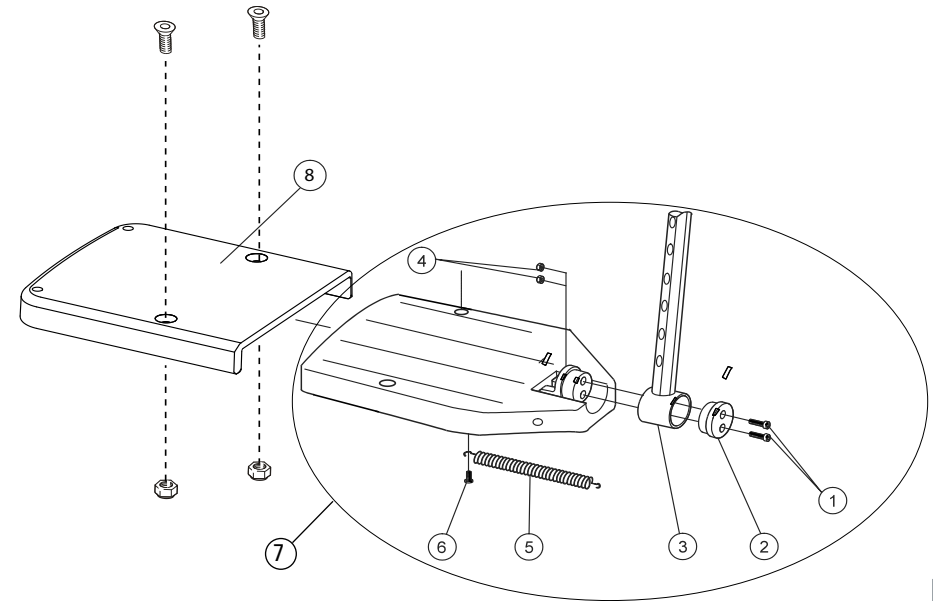


Pos.	Description	Item. No.
1	Screw M6x25 MC6S 8.8 zink plated	11033
2	Locking block foot support	20324
3	Attachment tube foot support xshort c/c 15 mm black	82603
	Attachment tube foot support adj short	81999
	Attachment tube foot support adj	81997
	Attachment tube foot support adj long	81998
4	Locking nut M 6 zink plated	12017
5	Spring footplate Cross	80619
6	Screw K40x8 PT-KX PHIL WN 1442 zink plated	11344

	Cross 5	Cross 5 XL
1	●	●
2	●	●
3	●	
4	●	●
5	●	●
6	●	●

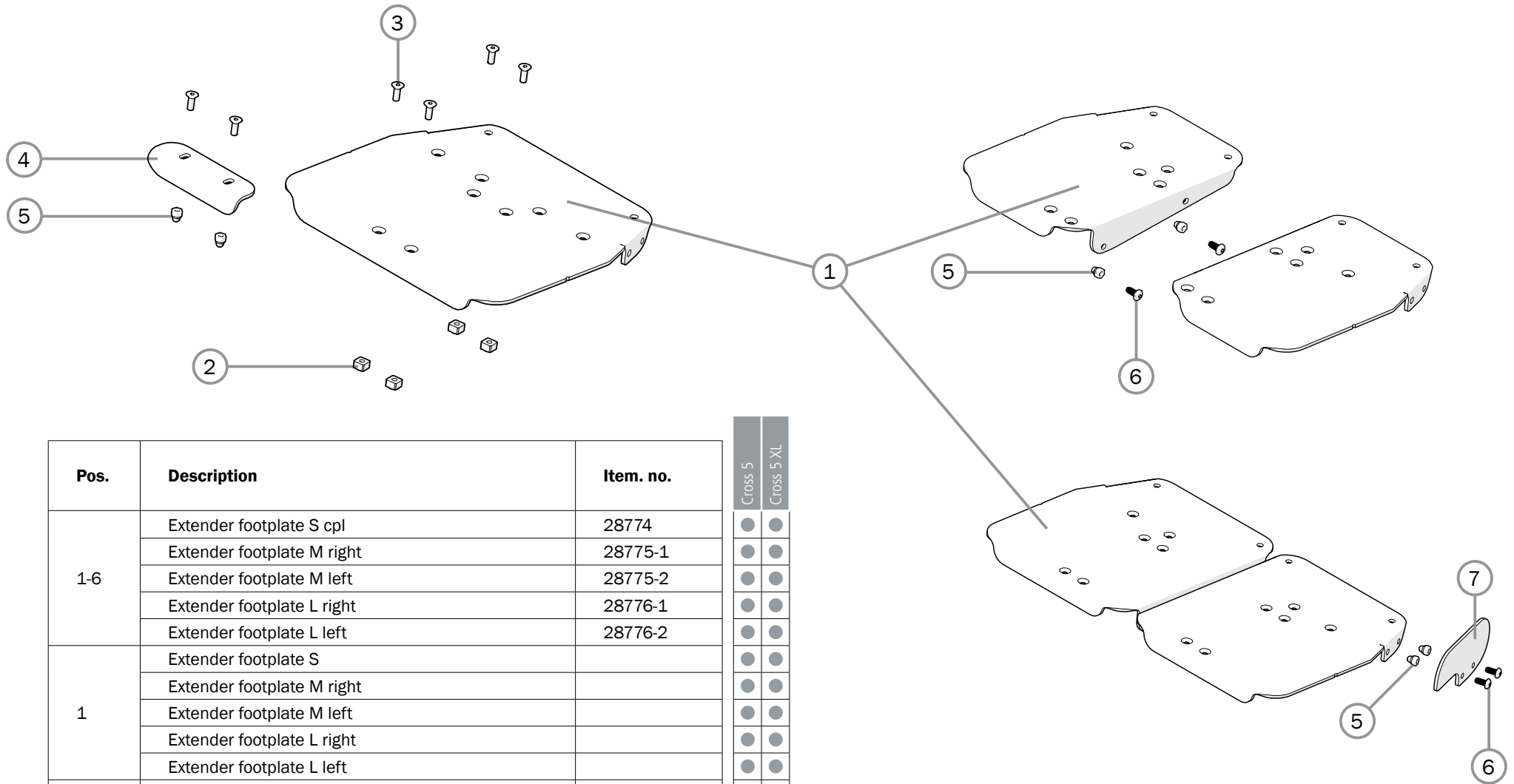
## Foot support cont.

Pos.	Description	Item. No.		
			Cross 5	Cross 5 XL
7	(Foot support with std attachment tube 25 cm, 81997")			
	Foot support standard 35 cm (14") right	25641-1	●	
	Foot support standard 35 cm (14") left	25641-2	●	
	Foot support standard 37.5 cm (15") right	25642-1	●	
	Foot support standard 37.5 cm (15") left	25642-2	●	
	Foot support standard 40 cm (16") right	25643-1	●	
	Foot support standard 40 cm (16") left	25643-2	●	
	Foot support standard 42.5 cm (17") right	25644-1	●	
	Foot support standard 42.5 cm (17") left	25644-2	●	
	Foot support standard 45 cm (18") right	25645-1	●	
	Foot support standard 45 cm (18") left	25645-2	●	
	Foot support standard 47.5 cm (19") right	25736-1	●	●
	Foot support standard 47.5 cm (19") left	25736-2	●	●
	Foot support standard 50 cm (20") right	25646-1	●	●
Foot support standard 50 cm (20") left	25646-2	●	●	
7	(Foot support with short attachmnet tube -8 cm, 81999)			
	Foot support short 35 cm (14") right	25653-1	●	
	Foot support short 35 cm (14") left	25653-2	●	
	Foot support short 37.5 cm (15") right	25654-1	●	
	Foot support short 37.5 cm (15") left	25654-2	●	
	Foot support short 40 cm (16") right	25655-1	●	
	Foot support short 40 cm (16") left	25655-2	●	
	Foot support short 42.5 cm (17") right	25656-1	●	
	Foot support short 42.5 cm (17") left	25656-2	●	
	Foot support short 45 cm (18") right	25657-1	●	
	Foot support short 45 cm (18") left	25657-2	●	
	Foot support short 47.5 cm (19") right	25738-1	●	
	Foot support short 47.5 cm (19") left	25738-2	●	
	Foot support short 50 cm (20") right	25658-1	●	
	Foot support short 50 cm (20") left	25658-2	●	



	Description	Item. No.		
			Cross 5	Cross 5 XL
7	(Foot support with long attachment +10 cm, 81998)			
	Foot support long 35 cm (14") right	25647-1	●	
	Foot support long 35 cm (14") left	25647-2	●	
	Foot support long 37.5 cm (15") right	25648-1	●	
	Foot support long 37.5 cm (15") left	25648-2	●	
	Foot support long 40 cm (16") right	25649-1	●	
	Foot support long 40 cm (16") left	25649-2	●	
	Foot support long 42.5 cm (17") right	25650-1	●	
	Foot support long 42.5 cm (17") left	25650-2	●	
	Foot support long 45 cm (18") right	25651-1	●	
	Foot support long 45 cm (18") left	25651-2	●	
	Foot support long 47.5 cm (19") right	25737-1	●	●
	Foot support long 47.5 cm (19") left	25737-2	●	●
	Foot support long 50 cm (20") right	25652-1	●	●
Foot support long 50 cm (20") left	25652-2	●	●	
8	Foot support extended Cross XL 52.5-57.5	28443		●

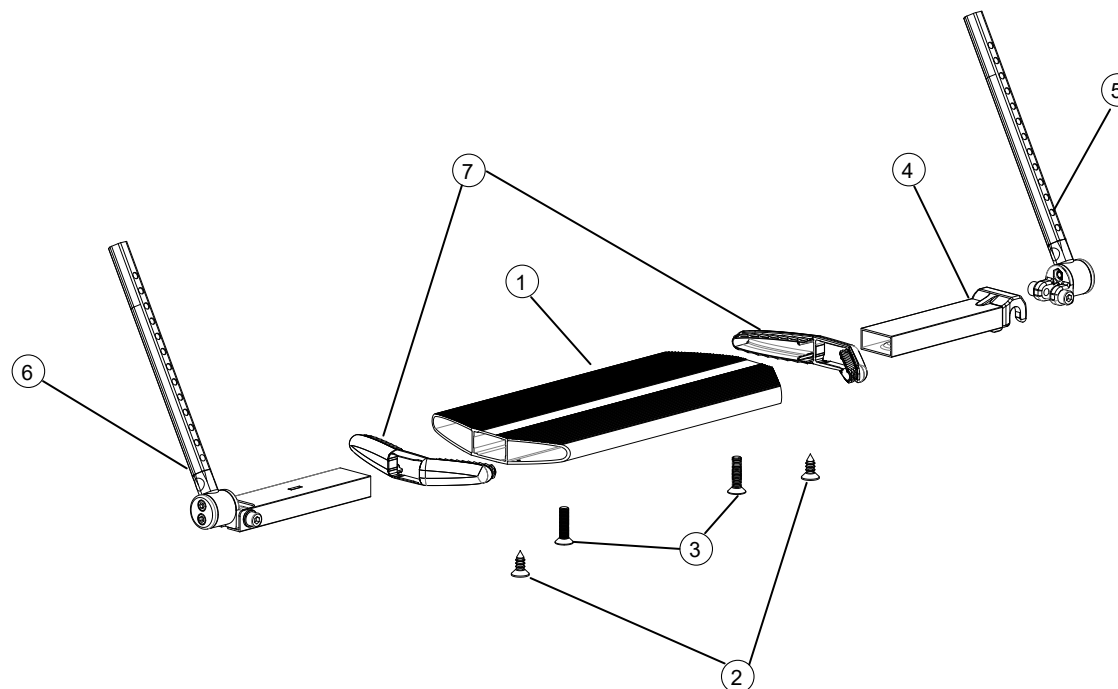
## Foot support cont.



Pos.	Description	Item. no.
1-6	Extender footplate S cpl	28774
	Extender footplate M right	28775-1
	Extender footplate M left	28775-2
	Extender footplate L right	28776-1
	Extender footplate L left	28776-2
1	Extender footplate S	
	Extender footplate M right	
	Extender footplate M left	
	Extender footplate L right	
	Extender footplate L left	
2	Stop bar arm support	80661
3	Screw M5x14 MF6S Zn8/P esloc	11237
4	Guide one-piece footplate	83421
5	Locking nut M5 domed zink plated	12168
6	Screw M5x12 K6S 10.9 zink plated	11208
7	Side protection footplate	83420

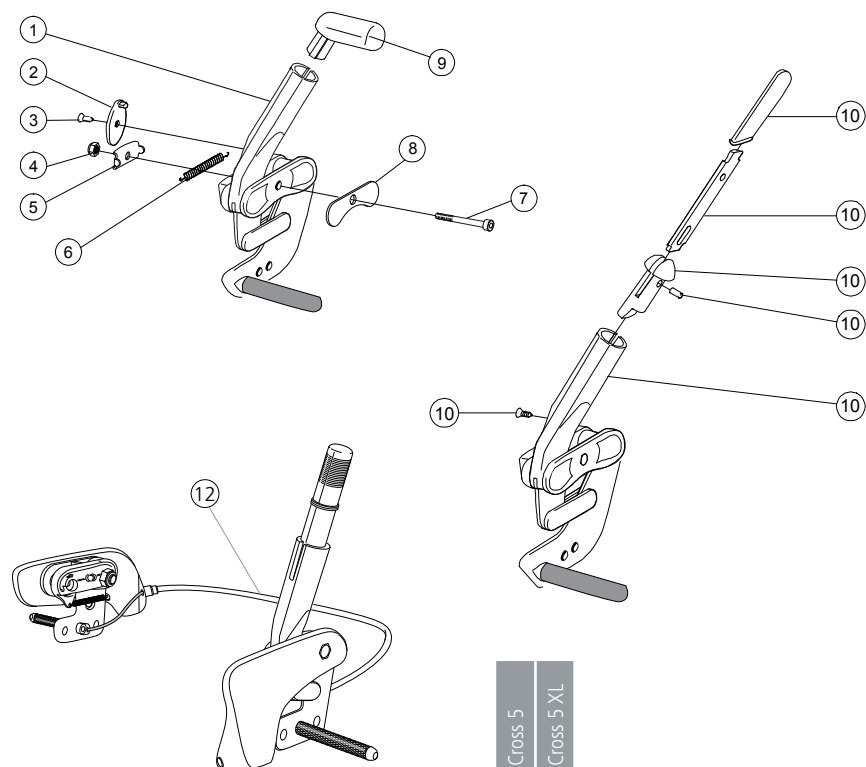
	Cross 5	Cross 5 XL
1-6	●	●
1	●	●
2	●	●
3	●	●
4	●	●
5	●	●
6	●	●
7	●	●

## Foot support one piece



Pos.	Description	Item. No.	Cross 5	Cross 5 XL
1-7	Foot support one piece 35-37.5 cm compl	25936	●	
	Foot support one piece 40-50 cm compl	25937	●	●
	Foot support one piece 50-60 cm compl	26853	●	●
1	Foot support one piece 35-37.5 cm	81130	●	
	Foot support one piece 40-50 cm	81131	●	●
	Foot support one piece 50-60 cm	81993	●	●
2	Screw B 6 3.5x 9.5 FXS black	11384	●	●
3	Screw M 5x 20 MF6S black	11526	●	●
4	Locking joint for foot support compl 35-37.5 cm	25931	●	
	Locking joint for foot support comp 40-50 cm, 50-60 cm	25932	●	●
5	Attachment tube foot support le	25934	●	●
6	Attachment tube foot support ri	25935	●	●
7	End caps foot support one piece	50830	●	●

## User brakes



	Cross 5	Cross 5 XL
1	●	●
2	●	●
3	●	●
4	●	●
5	●	●
6	●	●
7	●	●
8	●	●
9	●	●
10	●	●

	Cross 5	Cross 5 XL
11	●	●
12	●	●

Pos.	Description	Item. No.
1-9	Brake with angled red handle right	27528-1
	Brake with angled red handle left	27528-2
2	Stop detail brake Cross mod new	50373
3	Screw B 6 3.5x 9.5 FXS black	11384
4	Locking nut M 6 zink plated	12017
5	Washer inner brake mod 3	82564
6	Spring for brake Cross	80796
7	Screw M 6x 50 MC6S zink plated	11433
8	Washer outer brake mod 3	82575
9	Plug for brake angled red	51012
10	Brake lever extension Cross compl	25515

1-8, 10	Brake Cross extended handle right	27530-1
	Brake Cross extended handle left	27530-2
11	Brake handle angled compl kit red	27574
	Brake handle angled compl kit black	25537
1-8, 11	Brake with angled black handle right	27532-1
	Brake with angled black handle left	27532-2
12	Single hand brake right	27531-1
	Single hand brake left	27531-2

## Rear wheel (C5)

Pos.	Description	Item. No.	Cross 5	Cross 5 XL
	<b>20" Rear wheel</b>			
1	Rear wheel 20" C5 high pressure without handrim excl axle	28420	●	●
	Rear wheel 20" C5 high pressure/alu excl axle	28474	●	●
	Rear wheel 20" C5 high pressure/cellular rubber excl axle	28475	●	●
	Rear wheel 20" C5 high pressure/plastic coated excl axle	28476	●	●
	Rear wheel 20" C5 high pressure/stainless steel excl axle	28477	●	●
	Rear wheel 20" C5 solid/without handrim excl axle	27541	●	●
	Rear wheel 20" C5 solid/alu grey excl axle	27542	●	●
	Rear wheel 20" C5 solid/cellular rubber excl axle	27543	●	●
	Rear wheel 20" C5 solid/plastic coated excl axle	27957	●	●
	Rear wheel 20" C5 solid/stainless steel excl axle	27544	●	●
	Rear wheel 20" C5 without tube, tyre, handrim, excl axle	27545	●	●
	Rear wheel 20" C5 solid tube/stainless	27683	●	●
	Rear wheel 20" C5 solid tube/cellular rubber	27684	●	●
	Rear wheel 20" C5 solid tube/plastic coated	27685	●	●
	Rear wheel 20" C5 solid tube without handrim excl axle	27686	●	●
	Rear wheel 20" C5 matt hub high pressure/wo handrim excl axle	28478	●	●
	Rear wheel 20" C5 matt hub high pressure/plastic coated excl axle	28479	●	●
	Rear wheel 20" C5 matt hub high pressure/stainless steel excl axle	28480	●	●
	Rear wheel 20" C5 matt hub solid/wo handrim excl axle	28076	●	●
	Rear wheel 20" C5 matt hub solid/plastic coated excl axle	28077	●	●
Rear wheel 20" C5 matt hub solid/stainless steel excl axle	28078	●	●	
Rear wheel 20" C5 matt hub wo tyre/tube handrim excl axle	28079	●	●	

	22" Rear wheel		Cross 5	Cross 5 XL
1	Rear wheel 22" C5 high pressure/without handrim excl axle	27546	●	●
	Rear wheel 22" C5 high pressure/alu excl axle	27547	●	●
	Rear wheel 22" C5 high pressure handrim cellular rubber excl axle	27548	●	●
	Rear wheel 22" C5 high pressure/plastic coated excl axle	27549	●	●
	Rear wheel 22" C5 high pressure/stainless steel excl axle	27550	●	●
	Rear wheel 22" C5 solid excl axle	27551	●	●
	Rear wheel 22" C5 solid/alu excl axle	27552	●	●
	Rear wheel 22" C5 solid/cellular rubber excl axle	27553	●	●
	Rear wheel 22" C5 solid/plastic coated excl axle	27554	●	●
	Rear wheel 22" C5 solid/stainless steel excl axle	27555	●	●
1	Rear wheel 22" C5 without tube, tyre, handrim excl axle	27556	●	●
	Rear wheel 22" C5 solid tube/stainless	27687	●	●
	Rear wheel 22" C5 solid tube/cellular rubber	27688	●	●
	Rear wheel 22" C5 solid tube/plastic coated	27689	●	●
	Rear wheel 22" C5 solid tube without handrim excl axle	27690	●	●
	Rear wheel 22" C5 matt hub high pressure/wo handrim excl axle	28080	●	●
	Rear wheel 22" C5 matt hub high pressure/plastic coated excl axle	28081	●	●
	Rear wheel 22" C5 matt hub high pressure/stainless excl axle	28082	●	●
	Rear wheel 22" C5 matt hub solid/without handrim excl axle	28083	●	●
	Rear wheel 22" C5 matt hub solid/plastic coated excl axle	28084	●	●
Rear wheel 22" C5 matt hub solid/stainless excl axle	28085	●	●	
Rear wheel 22" C5 matt hub without tyre/tube handrim excl axle	28086	●	●	

## Rear wheel cont. (C5)

Pos.	Description	Item. No.			1			Cross 5	Cross 5 XL	
1	<b>24" Rear wheel</b>									
	Rear wheel 24 C5 high pressure without handrim black excl axle	28860	●	●						
	Rear wheel 24 C5 high pressure/alu black excl axle	28861	●	●						
	Rear wheel 24 C5 high pressure/cellular rubber black excl axle	28862	●	●						
	Rear wheel 24 C5 high pressure/plastic coated black excl axle	28863	●	●						
	Rear wheel 24 C5 high pressure/stainless black excl axle	28864	●	●						
	Rear wheel 24 C5 high pressure/titanic black excl axle	28865	●	●						
	Rear wheel 24 high pressure alu Marathon Plus excl axle	28603	●	●						
	Rear wheel 24 high pressure cellular rubber Marathon Plus excl axle	28604	●	●						
	Rear wheel 24 high pressure plastic coated Marathon Plus excl axle	28605	●	●						
	Rear wheel 24 high pressure stainless steel Marathon plus excl axle	28606	●	●						
	Rear wheel 24 high pressure titanic Marathon Plus excl axle	28607	●	●						
	Rear wheel 24 high pressure without handrim Marathon Plus excl axle	28608	●	●						
	Rear wheel 24" C5 solid/without handrim excl axle	27563	●	●						
	Rear wheel 24" C5 solid/alu excl axle	27564	●	●						
	Rear wheel 24" C5 solid/cellular rubber excl axle	27565	●	●						
	Rear wheel 24" C5 solid/plastic coated excl axle	27566	●	●						
	Rear wheel 24" C5 solid/stainless steel excl axle	28844	●	●						
	Rear wheel 24" C5 solid/titanic excl axle	27568	●	●						
	Rear wheel 24" C5 without tube, tyre, handrim excl axle	27569	●	●						
	Rear wheel 24" C5 solid tube/cellular rubber	27692	●	●						
	Rear wheel 24" C5 solid tube/plastic coated	27693	●	●						
	Rear wheel 24" C5 solid tube without handrim excl axle	27694	●	●						
	Rear wheel 24" C5 carbon/plastic coated excl axle	82555	●							
	Rear wheel 24" C5 carbon/titanic excl axle	82534	●							
	Rear wheel 24" C5 matt hub high pressure/wo handrim excl axle	28087	●	●						
		Rear wheel 24" C5 matt hub high pressure/plastic ctd excl axle	28088	●	●					
		Rear wheel 24" C5 matt hub high pressure/stainless excl axle	28089	●	●					
		Rear wheel 24" C5 matt hub solid/without handrim excl axle	28090	●	●					
		Rear wheel 24" C5 matt hub solid/plastic coated excl axle	28091	●	●					
		Rear wheel 24" C5 matt hub solid/stainless excl axle	28092	●	●					
		Rear wheel 24" C5 matt hub without tyre/tube handrim excl axle	28093	●	●					
	Rear wheel 24" carbon/titan excl axle	28095	●							
	<b>26" Rear wheel</b>									
	Rear wheel 26" C5 high pressure	27570	●	●						
	Rear wheel 26" C5 high pressure	27572	●	●						
	Rear wheel 26" C5 semipneumatic	27992	●	●						
	Rear wheel 26" C5 matt hub high pressure/stainless excl axle	28094	●	●						
	<b>Axle</b>									
	QR axle D12 std steel hub Cross, Prio, Crissy	82483	●	●						
	QR axle D12 light weight wheel	82581	●	●						

## Rear wheel 20", 22", 24", 25" (C6, Maxx)

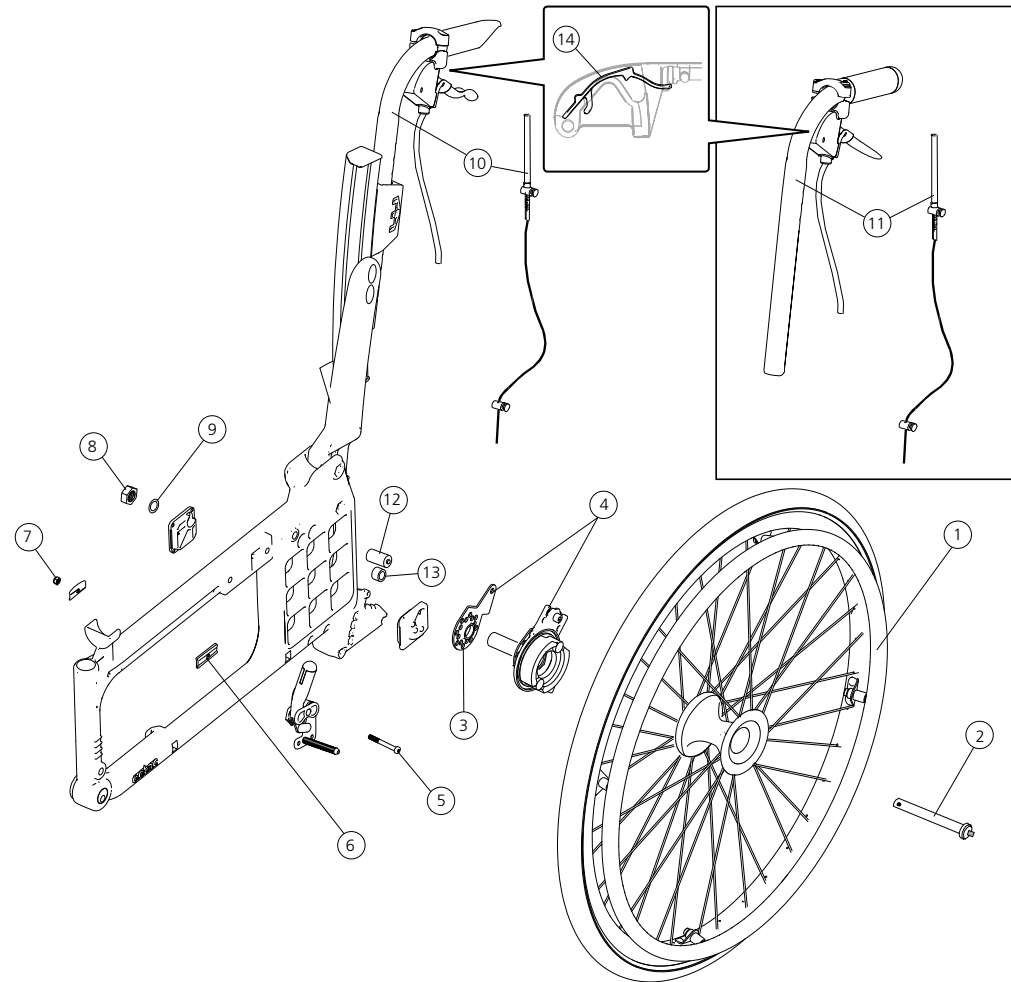
Pos.	Description	Art. No.		
			Cross 5	Cross 5 XL
	<b>20" Rear wheel</b>			
	Rear wheel 20 C6 high pressure al Speedlite excl axle	83908	●	●
	Rear wheel 20 C6 high pressure stainl Speedlite excl axle	83909	●	●
	Rear wheel 20 C6 high pressure plastic coated Speedlite excl axle	83884	●	●
	Rear wheel 20 C6 solid al excl axle	83885	●	●
	Rear wheel 20 C6 solid stainl excl axle	83910	●	●
	Rear wheel 20 C6 solid plastic coated excl axle	83911	●	●
	<b>22" Rear wheel</b>			
	Rear wheel 22 C6 high pressure al Speedlite excl axle	83880	●	●
	Rear wheel 22 C6 high pressure stainl Speedlite excl axle	83906	●	●
	Rear wheel 22 C6 high pressure plastic coated Speedlite excl axle	83881	●	●
	Rear wheel 22 C6 solid al excl axle	83882	●	●
	Rear wheel 22 C6 solid stainl excl axle	83907	●	●
	Rear wheel 22 C6 solid plastic coated excl axle	83883	●	●

Pos.	Description	Art. No.		
			Cross 5	Cross 5 XL
	<b>24" Rear wheel</b>			
	Rear wheel 24 C6 high pressure al Speedlite excl axle	83873	●	●
	Rear wheel 24 C6 high pressure stainl Speedlite excl axle	83874	●	●
	Rear wheel 24 C6 high pressure plastic coated Speedlite excl axle	83875	●	●
	Rear wheel 24 C6 solid al excl axle	83876	●	●
	Rear wheel 24 C6 solid stainl excl axle	83877	●	●
	Rear wheel 24 C6 solid plastic coated excl axle	83878	●	●
	<b>25" Rear Wheel</b>			
	Rear Wheel 25 Maxx high pressure hard al Trailblazer ri excl axle	28964-1	●	●
	Rear Wheel 25 Maxx high pressure hard al Trailblazer le excl axle	28964-2	●	●
	Rear Wheel 25 Maxx high pressure plastad Trailblazer ri excl axle	28965-1	●	●
	Rear Wheel 25 Maxx high pressure plastad Trailblazer le excl axle	28965-2	●	●
	<b>Axle</b>			
2	QR axle D12,7x110	83872	●	●

## Rear wheel with attendant brake

Cross 5  
Cross 5 XL

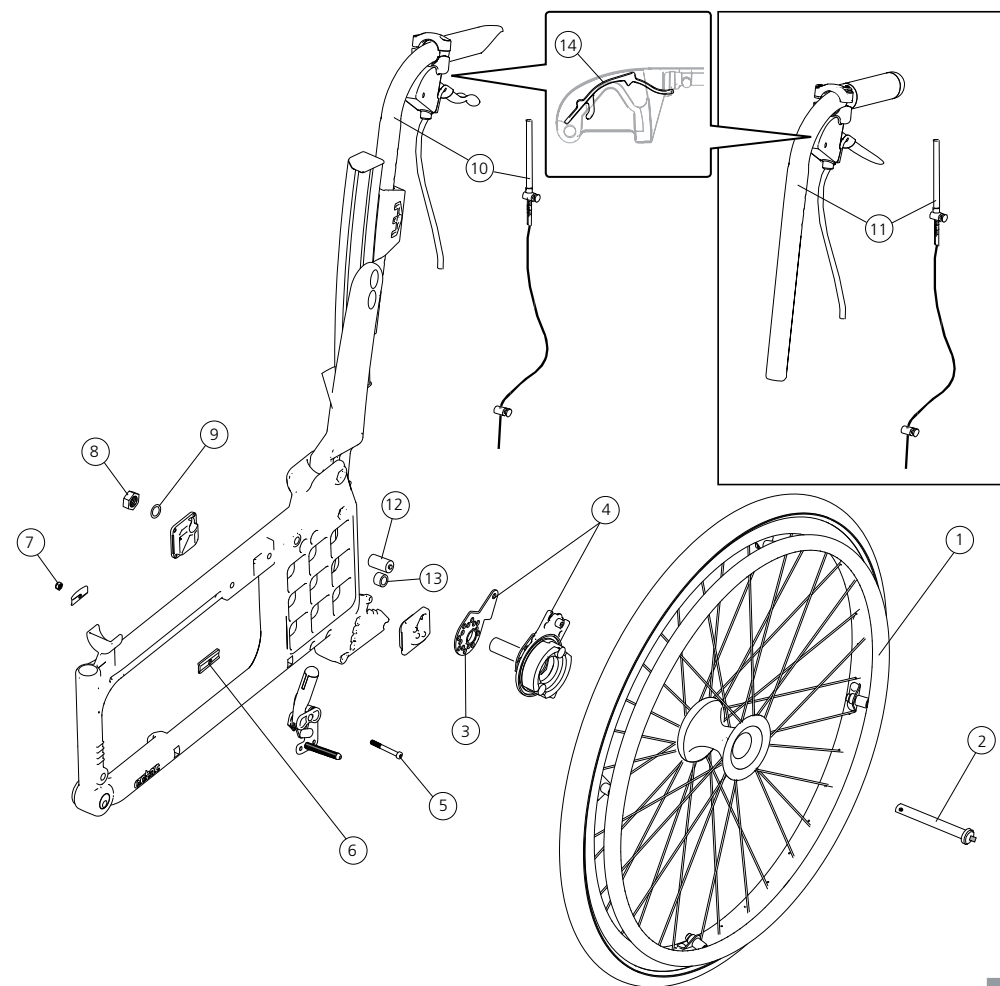
Pos.	Description	Item. No.		
1	<b>20" Rear wheel</b>			
	Rear wheel 20" drum brake solid handrim aluminium	81337	●	●
	Rear wheel 20" drum brake solid inner tube/stainless	27695	●	●
	Rear wheel 20" drum brake solid inner tube/cellular rubber	27696	●	●
	Rear wheel 20" drum brake solid inner tube/plastic coated	27697	●	●
	Rear wheel 20" drum brake solid inner tube wo handrim excl axle	27698	●	●
	Rear wheel 20" drum brake matt hub solid/stainless	28097	●	●
	Rear wheel 20" drum brake matt hub solid/wo handrim excl axle	28096	●	●
	Rear wheel 20" drum brake matt hub low pressure/stainless	28098	●	●
	Rear wheel 20" drum brake matt hub low pressure/without handrim excl axle	28099	●	●
1	<b>22" Rear wheel</b>			
	Rear wheel 22" drum brake high pressure handrim aluminium	81342	●	●
	Rear wheel 22" drum brake solid handrim aluminium	81339	●	●
	Rear wheel 22" drum brake solid handrim plastic-coated	81340	●	●
	Rear wheel 22" drum brake solid handrim stainless	81341	●	●
	Rear wheel 22" drum brake high pressure handrim plastic coated	81343	●	●
	Rear wheel 22" drum brake tigh pressure handrim stainless	81344	●	●
	Rear wheel 22" drum brake solid inner tube/stainless	27255	●	●
	Rear wheel 22" drum brake solid inner tube/cellular rubber	27699	●	●
	Rear wheel 22" drum brake solid inner tube/plastic coated	27700	●	●
	Rear wheel 22" drum brake solid inner tube wo handrim excl axle	27701	●	●
	Rear wheel 22" drum brake matt hub solid/wo handrim excl axle	28100	●	●
	Rear wheel 22" drum brake matt hub solid/plastic coated	28101	●	●
	Rear wheel 22" drum brake matt hub solid/stainless	28102	●	●
	Rear wheel 22" drum brake matt hub high pressure/plastic coated	28103	●	●
Rear wheel 22" drum brake matt hub high pressure/stainless	28104	●	●	
Rear wheel 22" drum brake matt hub high pr/wo handrim excl axle	28105	●	●	



## Rear wheel with attendant brake cont.

Cross 5  
Cross 5 XL

Pos.	Description	Item. No.	Cross 5	Cross 5 XL
1	<b>24" Rear wheel</b>			
	Rear wheel 24" drum brake high pressure handrim aluminium	81349	●	●
	Rear wheel 24" drum brake solid handrim aluminium	81346	●	●
	Rear wheel 24" drum brake solid handrim plastic-coated	81347	●	●
	Rear wheel 24" drum brake solid handrim stainless	81348	●	●
	Rear wheel 24" drum brake high pressure handrim plastic-coated	81350	●	●
	Rear wheel 24" drum brake high pressure handrim stainless	81351	●	●
	Rear wheel 24" drum brake solid inner tube/stainless	27256	●	●
	Rear wheel 24" drum brake solid inner tube/cellular rubber	27702	●	●
	Rear wheel 24" drum brake solid inner tube/plastic coated	27703	●	●
	Rear wheel 24" drum brake solid inner tube wo handrim excl axle	27704	●	●
	Rear wheel 24" drum brake matt hub solid/wo handrim excl axle	28106	●	●
	Rear wheel 24" drum brake matt hub solid/plastic-coated	28107	●	●
	Rear wheel 24" drum brake matt hub solid/stainless	28108	●	●
	Rear wheel 24" drum brake matt hub high pr/plastic-coated	28109	●	●
	Rear wheel 24" drum brake matt hub high pressure/stainless	28110	●	●
Rear wheel 24" db matt hub high pressure/wo handrim excl axle	28111	●	●	
	<b>26" Rear wheel</b>			
	Rear wheel 26" DB solid sealed handrim stainless	28112	●	●
2-9	Attachment kit drum brake	27627	●	●
2-9, 11	Drum brake C5 without rearw	27890	●	
	Drum brake C5 XL without rearw	27891		●
2	Qr axle drum brake	81325	●	●
3	Carrier drum brake	82566	●	●
4	Drum brake Cross 5 right	27590	●	●
	Drum brake Cross 5 left	27591	●	●
5	Screw M6x55 MC6S	11351	●	●
6	Adapter brake 5 mm	51019	●	●
7	Locking nut M6 Zn8/P4 DIN 985-6	12035	●	●
8	Nut M16x1 NV 24 B8 fzb	12052	●	●
9	Schnorr washer 17x24x1.3 fzb	13084	●	●

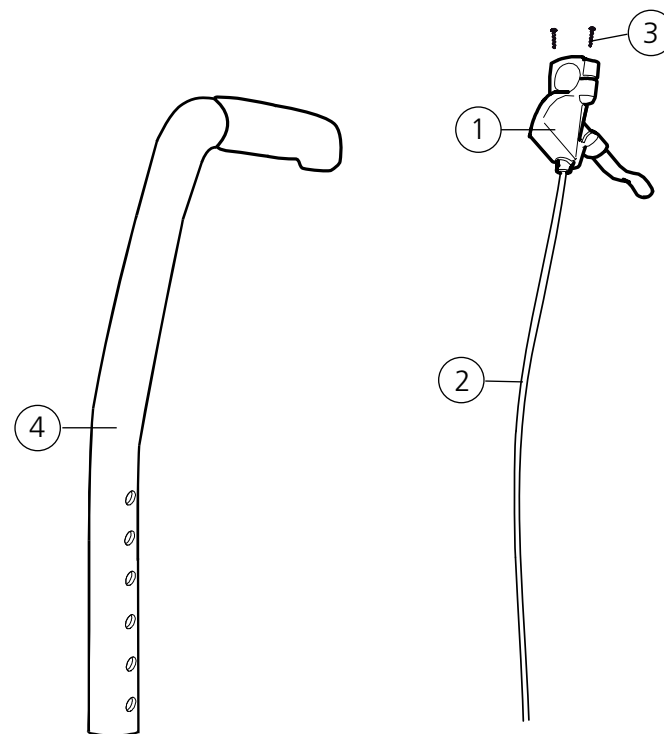


11	Push handle height adj Cross opening grip 100 mm	27625-01	●	
	Push handle height adj Cross XL opening grip 100 mm	27626-01		●
12-13	Attachment kit drum brake low	27628	●	●
14	Wire lock brake handle 100 mm 10 pcs	82854	●	●
	Wire lock brake handle 75 mm 10 pcs	82855	●	●

Cross 5  
Cross 5 XL

●	
	●
●	●
●	●

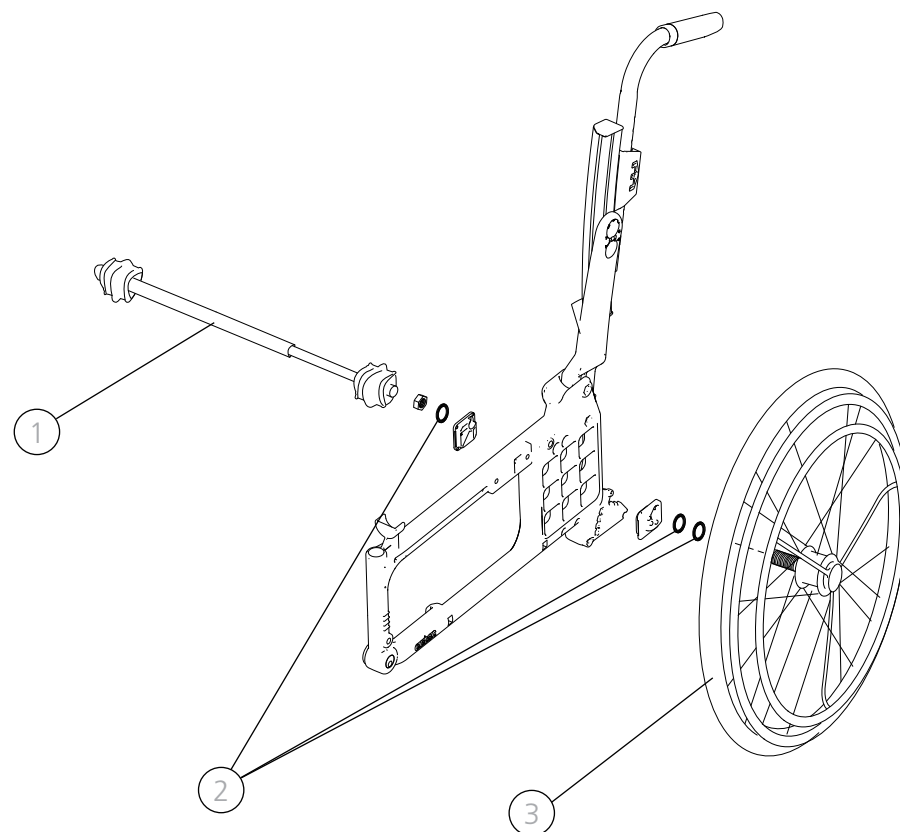
## Attendant brake for fixed back support with fixed push handles



Pos.	Description	Item. No.
1	Brake handle drum brake	81804
2	Wire kit drum brake Cross Twin Tran	81805
3	Screw DG 5x20 WN 1552	11504
4	Back support tube with push handle drum brake	27345-01

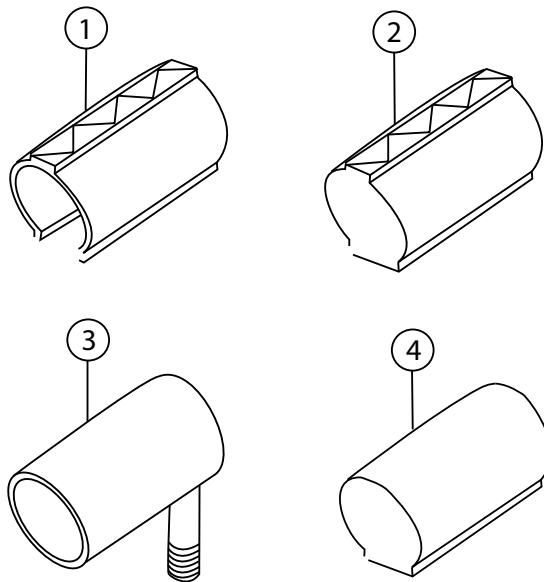
	Cross 5	Cross 5 XL
	●	●
	●	●
	●	●
	●	●

## Single hand drive



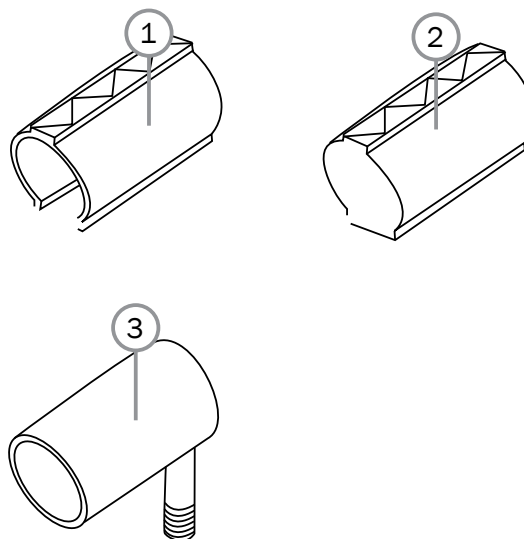
Pos.	Description	Item. No.	Cross 5	Cross 5 XL
1	Telescoping shaft single hand drive Cross 35-37.5 cm compl	27317	●	
	Telescoping shaft single hand drive compl Cross 40-42.5 cm/Next 35-37.5 cm	27318	●	
	Telescoping shaft single hand drive compl Cross 45-50 cm/Next 40-45 cm	27319	●	●
	Telescoping shaft single hand drive compl Cross 52.5-57.5 cm/Next 47.5-55 cm	27320		●
	Telescoping shaft single hand drive compl Cross 60 cm/Next 57.5 cm	27321		●
2-3	Single-hand drive 20"Cross/Cross XL compl	26534	●	●
	Single-hand drive 22"Cross/Cross XL compl	26533	●	●
	Single-hand drive 24"Cross/Cross XL compl	26522	●	●

## Tyre and inner tube (C5)



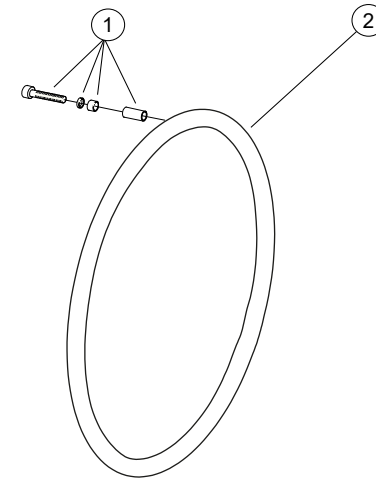
Pos.	Description	Item. No		
			Cross 5	Cross 5 XL
1	Tyre 22x1 pneumatic high pressure	81125	●	●
	Tyre 24x1 high pressure black	83329	●	●
	Tyre 24 Schwalbe Marathon Plus	83301	●	●
	Tyre 24 x1 high pressure for carbon	82907	●	
2	Tyre 20 solid	80787	●	●
	Tyre 22 solid grey	81384	●	●
	Tyre 24 solid grey	80768	●	●
3	Innertube 20 pneumatic	80132	●	●
	Innertube 22 pneumatic high pressure	80136	●	●
	Innertube 24 pneumatic high pressure	80560	●	●
	Tube 24 x1 high pressure for carbon	82908	●	
4	Innertube 20 massive	82706	●	●
	Innertube 22 massive	82705	●	●
	Innertube 24 massive	82704	●	●
5	Tyre flaps 24 for carbon	82909	●	
	Tyre flaps 24	97044	●	●

## Tyre and inner tube (C6, Maxx)



Pos.	Description	Art. No.		
			Cross 5	Cross 5 XL
1	Tyre 20x1 (25-451) Speedlite black	83897	●	●
	Tyre 22x1 (25-501) Speedlite black	83898	●	●
	Tyre 24x1 (25-540) Speedlite black	83899	●	●
	Tyre 25x1 (25-559) Trailblazer black	83900	●	●
2	Tyre 20x1 3/8 (37-451) solid black	83347	●	●
	Tyre 22x1 3/8 (37-501) solid black	83348	●	●
	Tyre 24x1 1/4 (32-540) solid black	83349	●	●
3	Inner tube 20x1 (25-451) high pressure	82199	●	●
	Inner tube 22x1 (25-501) high pressure	80136	●	●
	Inner tube 24x1 (25-540) high pressure	80560	●	●
	Inner tube 25x1 (25-559) high pressure	83904	●	●

## Handrims (C5)



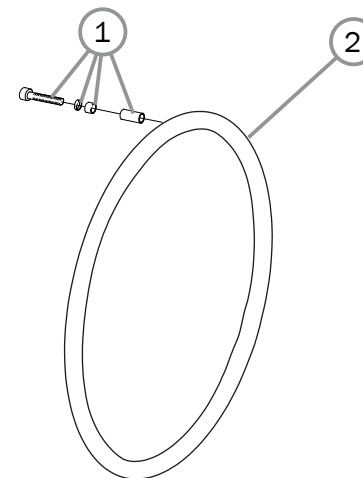
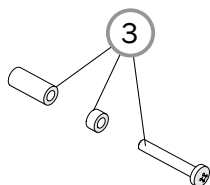
Cross 5  
Cross 5 XL

Cross 5  
Cross 5 XL

Pos.	Description	Item. No.	Cross 5	Cross 5 XL
1	Assembly kit handrim 4m plas. Plastic handrim	24514	●	●
	Assembly kit handrim 4m	28113	●	●
2	<b>20" Rear wheel</b>			
	Handrim D465 wheel 20" alu	81109	●	●
	Handrim D465 wheel 20" vinyl	81229	●	●
	Handrim D425 wheel 20" cellular, clip mounted	24442	●	●
	Handrim D465 wheel 20" stainless	21034	●	●
	Handrim D465 wheel 20" stainless sealed	83006	●	●
	Handrim D465 wheel 20" vinyl	83010	●	●
	<b>22" Rear wheel</b>			
	Handrim D500 wheel 22" alu	25636	●	●
	Handrim D500 wheel 22" stainless	24395	●	●
	Handrim D500 wheel 22" vinyl	80895	●	●
	Handrim D469 wheel 22" cellular, clip mounted	24551	●	●
	Handrim D500 wheel 22" stainless sealed	83007	●	●
	Handrim D500 wheel 22" vinyl	83011	●	●

2	<b>24" Rear wheel</b>			
	Handrim D540 wheel 24" alu	25181	●	●
	Handrim D540 wheel 24" stainless	24023	●	●
	Handrim D540 wheel 24" vinyl plastic-coated	82998	●	●
	Handrim D540 wheel 24" cellular clip mounted	80800	●	●
	Handrim D540 wheel 24" stainless sealed	83008	●	●
	Handrim D540 wheel 24" vinyl with sealing	83012	●	●
	<b>26" Rear wheel</b>			
	Handrim D585 wheel 26" alu	81508	●	●
	Handrim D585 wheel 26" stainless	81510	●	●
Handrim D585 wheel 26" stainless	83009	●	●	

## Handrim C6, Maxx



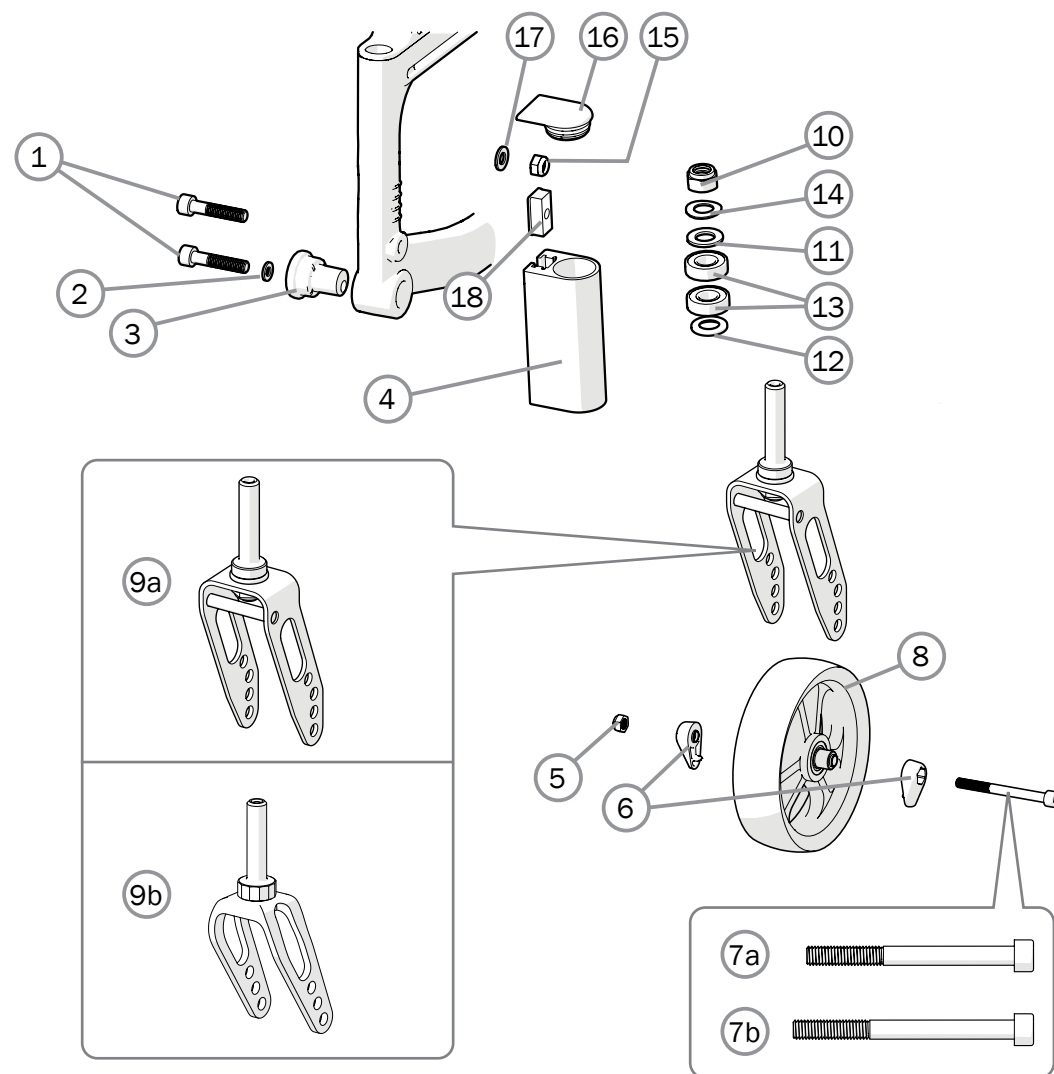
Pos.	Description	Art. No.		
			Cross 5	Cross 5 XL
1	Assembly kit handrim 6 ap (not plastic coated)	83892	●	●
2	<b>20" Rear wheel</b>			
	Handrim 20" al 6 ap	83890	●	●
	Handrim 20" stainless steel 6 ap	83891	●	●
	Handrim 20" plastic coated 6 ap	83339	●	●
	<b>22" Rear wheel</b>			
	Handrim 22 al 6 fp	83888	●	●
	Handrim 22 stainless steel 6 ap	83889	●	●
	Handrim 22 plastic coated 6 ap	83338	●	●

Pos.	Description	Art. No.		
			Cross 5	Cross 5 XL
2	<b>24" Rear wheel</b>			
	Handrim 24 al 6 ap	83886	●	●
	Handrim 24 stainless steel 6 ap	83887	●	●
	Handrim 24 plastic coated 6 ap	83335	●	●
	<b>25" Rear wheel</b>			
	Handrim 25 hard al 6 ap	83340	●	●
	Handrim 25 plastic coated 6 ap	83341	●	●
3	Assembly kit handrim 6m plastic handrim C6 Maxx	24081	●	●



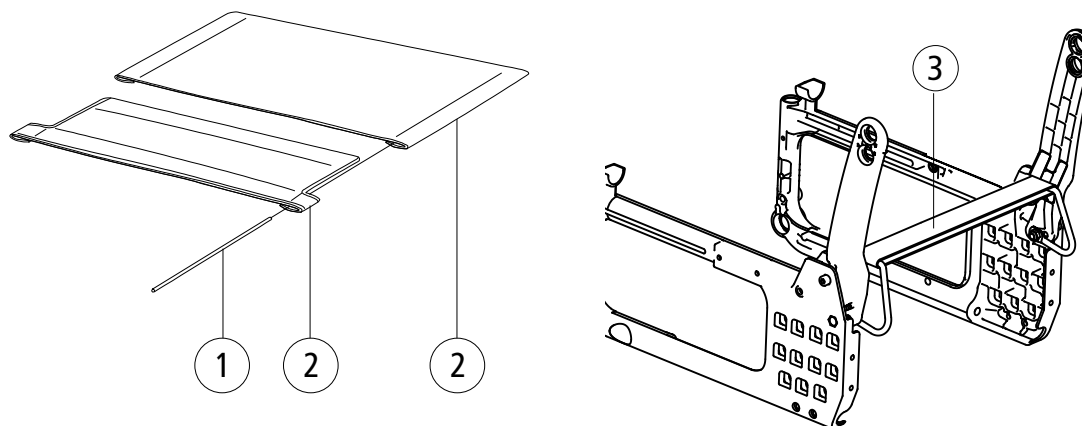
## Castors, front forks 45 mm hub width

Pos.	Description	Item. No.		
			Cross 5	Cross 5 XL
1	Screw M8x1x40 MC6S 12.9 Zn8/P4	11305	●	●
2	Washer	13092	●	●
3	Off center sleeve jagged	81994	●	●
1, 4, 10-18	Front fork housing H142	28968	●	●
	Front fork housing Cross	28147	●	●
	Front fork housing extended	25763	●	●
	Front fork housing low Cross	28633	●	●
5	Locking nut M 6 Zn8/P4	12035	●	●
6	Cover axle wheel PA 6	51284	●	●
	Cover axle wheel PA 6 (50 pcs)	28966	●	●
7a	Screw M6x60 MC6S Zn8/P4, for steel front fork	11408	●	●
7b	Screw M6x65 MC6S 12.9 ZnP4, for aluminium front fork	11236	●	●
8	Castor			
5-6, 8	Castor 4 100x34 cpl	28919	●	●
	Castor 5 125x34 cpl	28921	●	●
	Castor 6 150x34 cpl	28922	●	●
	Castor 8 200x38 cpl	28526	●	●
9a	Front fork steel S w axle	24038	●	●
	Front fork steel M w axle	28969	●	●
9b	Front fork alu XS w axle	28923	●	●
10	Locking nut 1/2 UNF low	12077	●	●
11	Washer BRB 13.5 Zn8/P4	13031	●	●
12	Washer 12.7x24x2.5	13032	●	●
13	Ball bearing 1/2 EE4 2RS	80244	●	●
14	Washer 13x24x1.2 DIN 137B zink plated	13040	●	●
15	Locking nut M 8x 1 DIN 985 zink plated	12051	●	●
16	Plug front fork housing	51220	●	●
	Plug for extended front fork housing	50429	●	●
17	Washer BRB 8.4x 16x 1.6 zink plated	13001	●	●
18	T-nut	82922	●	●





## Seat upholstery/Seat extension back support 3A



Cross 5  
Cross 5 XL

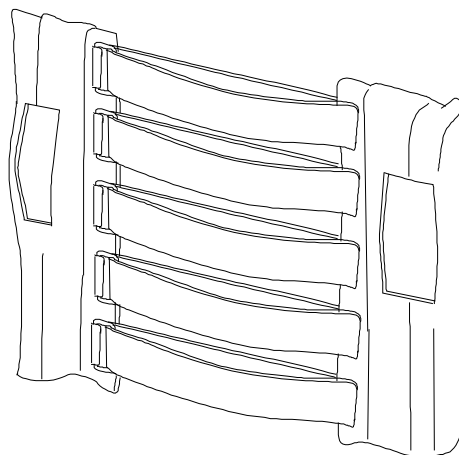
Cross 5  
Cross 5 XL

Pos.	Description	Item. No.	Cross 5	Cross 5 XL
	<b>For Cross back 3A</b>			
1	Tension rod L381 short upholstery seat	80617	●	●
	Tension rod L446 long upholstery seat	80618	●	●
1-2	Upholstery seat Basic short Basic/Cross 3A 35 cm (14) black	62718-60	●	
	Upholstery seat Basic short Basic/Cross 3A 37.5 cm (15) black	62719-60	●	
	Upholstery seat Basic short Basic/Cross 3A 40 cm (16) black	62720-60	●	
	Upholstery seat Basic short Basic/Cross 3A 42.5 cm (17) black	62721-60	●	
	Upholstery seat Basic short Basic/Cross 3A 45 cm (18) black	62722-60	●	
	Upholstery seat Basic short Basic/Cross 3A 47.5 cm (19)	62978-60	●	●
	Upholstery seat Basic short Basic/Cross 3A 50 cm (20) black	62979-60	●	●
	Upholstery seat Basic short Basic/Cross 3A 52.5 cm (21) black	62980-60		●
	Upholstery seat Basic short Basic/Cross 3A 55 cm (22) black	62981-60		●
	Upholstery seat Basic short Basic/Cross 3A 57.5 cm (23) black	62982-60		●
	Upholstery seat Basic short Basic/Cross 3A 60 cm (24) black	62983-60		●

1-2	Upholstery seat Basic long Basic/Cross 3A 35 cm (14) black	62728-60	●	
	Upholstery seat Basic long Basic/Cross 3A 37.5 cm (15) black	62729-60	●	
	Upholstery seat Basic long Basic/Cross 3A 40 cm (16) black	62730-60	●	
	Upholstery seat Basic long Basic/Cross 3A 42.5 cm (17) black	62731-60	●	
	Upholstery seat Basic long Basic/Cross 3A 45 cm (18) black	62732-60	●	
	Upholstery seat Basic long Basic/Cross 3A 47.5 cm (19) black	62984-60	●	●
	Upholstery seat Basic long Basic/Cross 3A 50 cm (20) black	62985-60	●	●
	Upholstery seat Basic long Basic/Cross 3A 52.5 cm (21) black	62986-60		●
	Upholstery seat Basic long Basic/Cross 3A 55 cm (22) black	62987-60		●
	Upholstery seat Basic long Basic/Cross 3A 57.5 cm (23) black	62988-60		●
3	Seat extender 35-40 cm	63291	●	
	Seat extender 42,5-50 cm	63292	●	●
	Seat extender 52,5-60 cm	63293	●	●

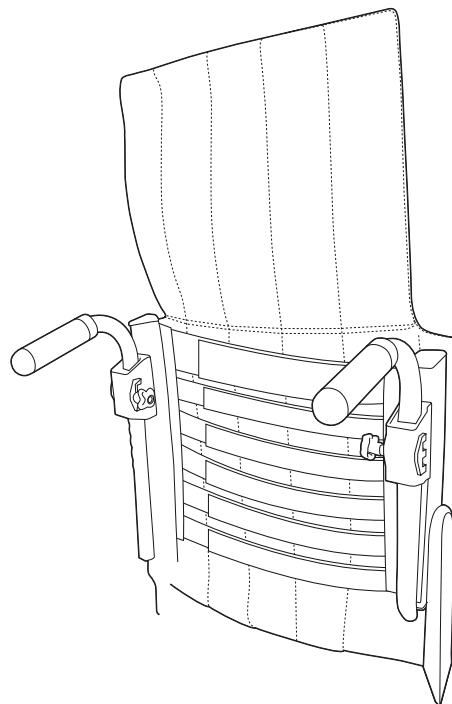


## Back support upholstery back support model 2



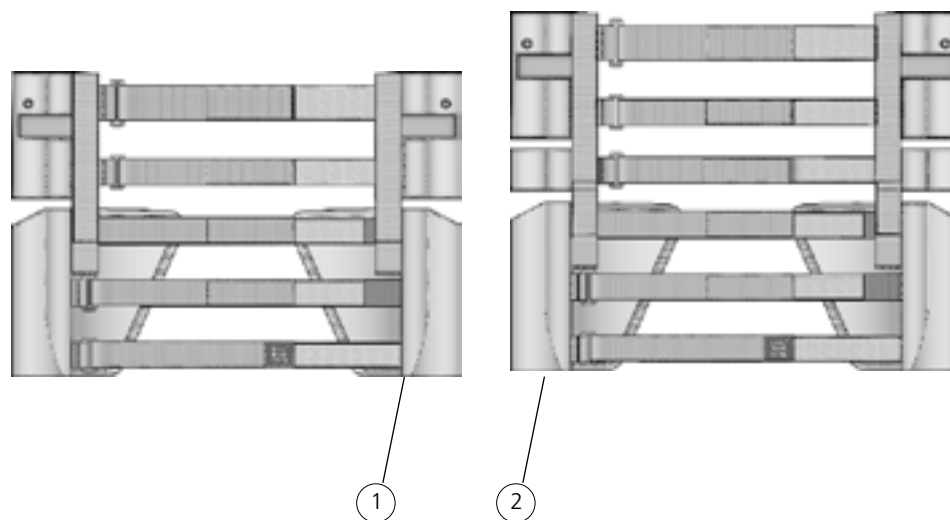
Pos.	Description	Item. No.		
			Cross 5	Cross 5 XL
1	Upholstery back 2C adj 35/37,5 cm	63317-60	●	
	Upholstery back 2C adj 40/42,5 cm	63318-60	●	
	Upholstery back 2C adj 45 cm	63319-60	●	
	Upholstery back 2C adj 47,5/50 cm	63320-60	●	●
	Upholstery back 2C adj 52,5/55 cm	63321-60	●	●
	Upholstery back 2C adj 57,5/60 cm	63322-60		●
	Upholstery back 2C adj high 35/37,5 cm	63327-60	●	
	Upholstery back 2C adj high 40/42,5 cm	63328-60	●	
	Upholstery back 2C adj high 45 cm	63329-60	●	
	Upholstery back 2C adj high 47,5/50 cm	63330-60	●	●

## Backsupport upholstery, back support 3A

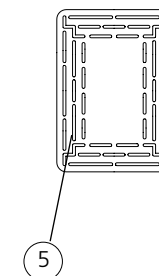
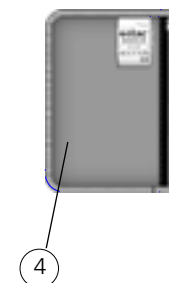


Pos.	Description	Item. No.		
			Cross	Cross 5 XL
1	Upholstery back Cross adj mod 3 rh adj 35-40 cm (14-16)	62953-60	●	
	Upholstery back Cross adj mod 3 rh jb 42.5-50 cm (17-20)	62954-60	●	●
	Upholstery back Cross adj mod 3 rh jb 52.5-60 cm (21-24)	62955-60		●
	Tension rod L296 Cross back mod 3	82461	●	●
	Upholstery back Cross 3A adj high 35-40 cm	63014-60	●	
	Upholstery back Cross 3A adj high 42.5-50 cm	63015-60	●	●
	Upholstery back Cross 3A adj high 52.5-60 cm	63016-60		●
	Tension rod L355 Cross 3A high back support	82586	●	●

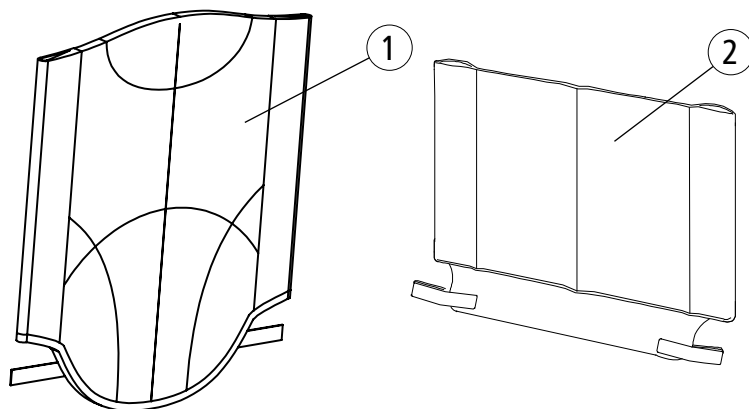
## Back support upholstery, back support 2B



Pos.	Description	Item. No.		
			Cross 5	Cross 5 XL
1	Upholstery back B2B adj 35-40 cm	63257-60	●	
	Upholstery back B2B adj 42.5-50 cm	63258-60	●	
	Upholstery back B2B adj 52.5-60 cm	63259-60	●	
2	Upholstry back B2B high 35-40 cm	63260-60	●	
	Upholstry back B2B high 42.5-50 cm	63261-60	●	
	Upholstry back B2B high 52.5-60 cm	63262-60	●	
3	Extension part back 2B 35-40 cm mod 2	63273	●	
	Extension part back 2B 42,5-47,5 cm mod 2	63275	●	
	Extension part back 2B 50-55 cm mod 2	63276	●	
4	Pad size 20x15x1 cm	63272	●	
5	Insert widening pad	51218	●	
4-5	Widening pad	28637	●	



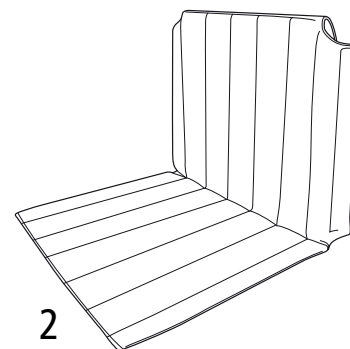
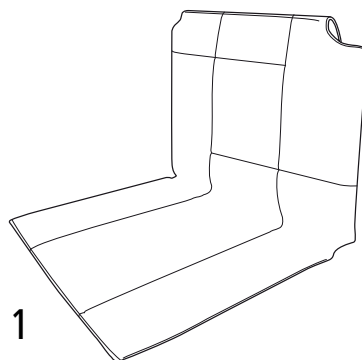
## Back support upholstery, fixed back support



Pos.	Description	Item. No.		
			Cross 5	Cross 5 XL
1	Upholstery back M100 fixed 37.5 cm	62534-70	●	
	Upholstery back M100 fixed 40 cm	62535-70	●	
	Upholstery back M100 fixed 42,5 cm	62536-70	●	
	Upholstery back M100 fixed 45 cm	62537-70	●	
	Upholstery back M100 fixed 47,5 cm	62538-70	●	
	Upholstery back M100 fixed 50 cm	62539-70	●	
2	Upholstery back M100/Twin adj 35-37,5 cm	62364-70	●	
	Upholstery back M100/Twin adj 40-42,5 cm	62365-70	●	
	Upholstery back M100/Twin adj 45 cm	62366-70	●	
	Upholstery back M100/Twin adj 47,5-50 cm	62367-70	●	



## Back support cover, back support 3A



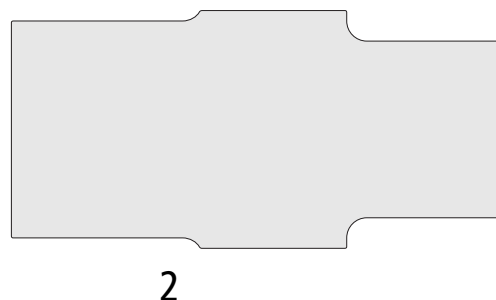
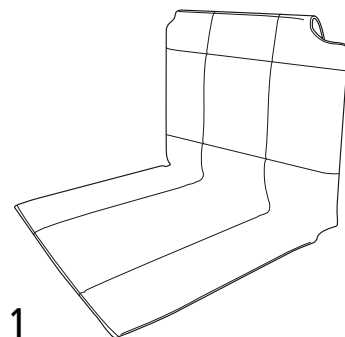
	Cross 5	Cross 5 XL
	●	
	●	
	●	
	●	
	●	
	●	●
	●	●
		●
		●
		●
		●

	Cross 5	Cross 5 XL
	●	
	●	
	●	
	●	
	●	
	●	●
	●	●
		●
		●
		●
		●

Pos.	Description	Item. No.
1	Cover back Cross mod 3 35 cm (14) dark grey	62941-60
	Cover back Cross mod 3 37.5 cm (15) dark grey	62942-60
	Cover back Cross mod 3 40 cm (16) dark grey	62943-60
	Cover back Cross mod 3 42.5 cm (17) dark grey	62944-60
	Cover back Cross mod 3 45 cm (18) dark grey	62945-60
	Cover back Cross mod 3 47.5 cm (19) dark grey	62946-60
	Cover back Cross mod 3 50 cm (20) dark grey	62947-60
	Cover back Cross mod 3 52.5 cm (21) dark grey	62948-60
	Cover back Cross mod 3 55 cm (22) dark grey	62949-60
	Cover back Cross mod 3 57.5 cm (23) dark grey	62950-60
	Cover back Cross mod 3 60 cm (24) dark grey	62951-60

2	Cover back Cross Comfort mod 3 35 cm (14) dark grey	62956-60
	Cover back Cross Comfort mod 3 37.5 cm (15) dark grey	62957-60
	Cover back Cross Comfort mod 3 40 cm (16) dark grey	62958-60
	Cover back Cross Comfort mod 3 42.5 cm (17) dark grey	62959-60
	Cover back Cross Comfort mod 3 45 cm (18) dark grey	62960-60
	Cover back Cross Comfort mod 3 47.5 cm (19) dark grey	62961-60
	Cover back Cross Comfort mod 3 50 cm (20) dark grey	62962-60
	Cover back Cross Comfort mod 3 52.5 cm (21) dark grey	62963-60
	Cover back Cross Comfort mod 3 55 cm (22) dark grey	62964-60
	Cover back Cross Comfort mod 3 57.5 cm (23) dark grey	62965-60
	Cover back Cross Comfort mod 3 60 cm (24) dark grey	62966-60

## Back support cover, back support 3A cont.



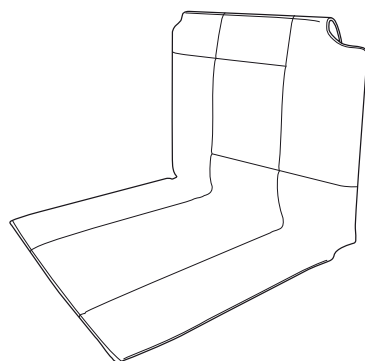
Cross 5  
Cross 5 XL

Cross 5  
Cross 5 XL

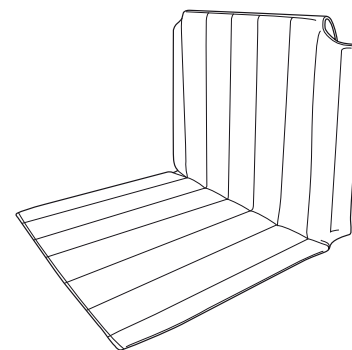
Pos.	Description	Item. No.	Cross 5	Cross 5 XL
1	Cover back Cross mod 3 Tidy 35 cm (14)	63087-63	●	
	Cover back Cross mod 3 Tidy 37,5 cm (15)	63088-63	●	
	Cover back Cross mod 3 Tidy 40 cm (16)	63089-63	●	
	Cover back Cross mod 3 Tidy 42,5 cm (17)	63090-63	●	
	Cover back Cross mod 3 Tidy 45 cm (18)	63091-63	●	
	Cover back Cross mod 3 Tidy 47,5 cm (19)	63092-63	●	●
	Cover back Cross mod 3 Tidy 50 cm (20)	63093-63	●	●
	Cover back Cross mod 3 Tidy 52,5 cm (21)	63094-63		●
	Cover back Cross mod 3 Tidy 55 cm (22)	63095-63		●
	Cover back Cross mod 3 Tidy 57,5 cm (23)	63096-63		●
	Cover back Cross mod 3 Tidy 60 cm (24)	63097-63		●

2	Foam cover upholstery Tidy mod 3 35 cm (14)	82877	●	
	Foam cover upholstery Tidy mod 3 37.5 cm (15)	82878	●	
	Foam cover upholstery Tidy mod 3 40 cm (16)	82879	●	
	Foam cover upholstery Tidy mod 3 42.5 cm (17)	82880	●	
	Foam cover upholstery Tidy mod 3 45 cm (18)	82881	●	
	Foam cover upholstery Tidy mod 3 47.5 cm (19)	82882	●	●
	Foam cover upholstery Tidy mod 3 50 cm (20)	82883	●	●
	Foam cover upholstery Tidy mod 3 52.5 cm (21)	82884		●
	Foam cover upholstery Tidy mod 3 55 cm (22)	82885		●
	Foam cover upholstery Tidy mod 3 57.5 cm (23)	82886		●
	Foam cover upholstery Tidy mod 3 60 cm (24)	82887		●

## Back support cover 3A cont.



1



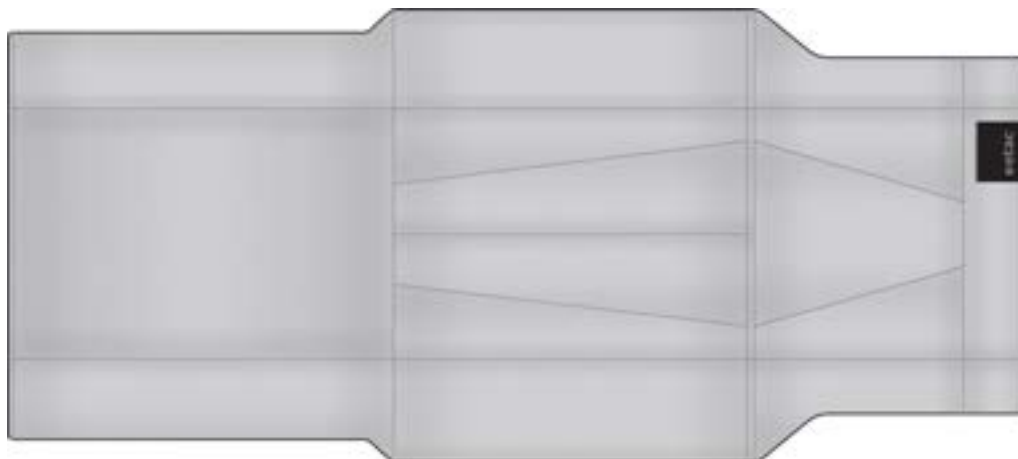
2

	Cross 5	Cross 5 XL
	●	
	●	
	●	
	●	
	●	
	●	●
	●	●
		●
		●
		●
		●

			Cross 5	Cross 5 XL
2	Cover back Cross 3A comfort high 35 cm dark grey	63033-60	●	
	Cover back Cross 3A comfort high 37,5 cm dark grey	63034-60	●	
	Cover back Cross 3A comfort high 40 cm dark grey	63035-60	●	
	Cover back Cross 3A comfort high 42,5 cm dark grey	63036-60	●	
	Cover back Cross 3A comfort high 45 cm dark grey	63037-60	●	
	Cover back Cross 3A comfort high 47,5 cm dark grey	63038-60	●	●
	Cover back Cross 3A comfort high 50 cm dark grey	63039-60	●	●
	Cover back Cross 3A comfort high 52,5 cm dark grey	63040-60		●
	Cover back Cross 3A comfort high 55 cm dark grey	63041-60		●
	Cover back Cross 3A comfort high 57,5 cm dark grey	63042-60		●
	Cover back Cross 3A comfort high 60 cm dark grey	63043-60		●

Pos.	Description	Item. No.
1	Cover back Cross 3A high 35 cm dark grey	63020-60
	Cover back Cross 3A high 37.5 cm dark grey	63021-60
	Cover back Cross 3A high 40 cm dark grey	63022-60
	Cover back Cross 3A high 42,5 cm dark grey	63023-60
	Cover back Cross 3A high 45 cm dark grey	63024-60
	Cover back Cross 3A high 47,5 cm dark grey	63025-60
	Cover back Cross 3A high 50 cm dark grey	63026-60
	Cover back Cross 3A high 52,5 cm dark grey	63027-60
	Cover back Cross 3A high 55 cm dark grey	63028-60
	Cover back Cross 3A high 57,5 cm dark grey	63029-60
	Cover back Cross 3A high 60 cm dark grey	63030-60

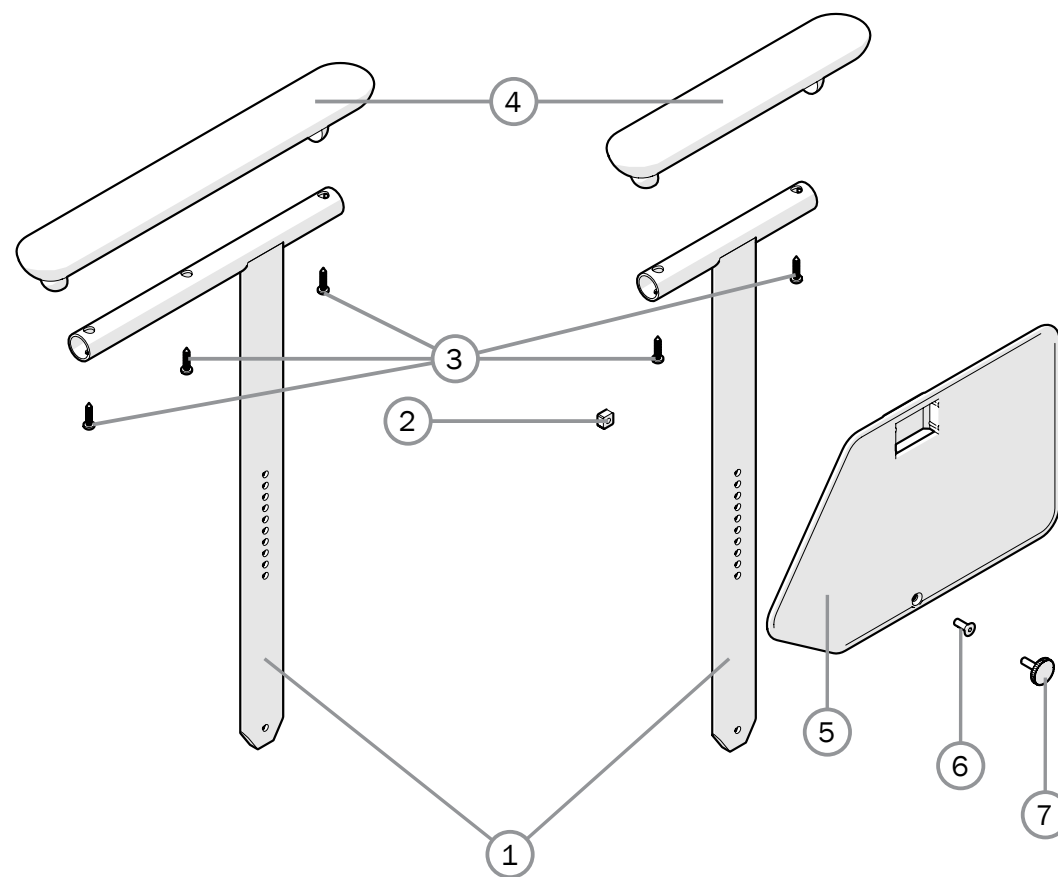
## Back support cover, back support 2B



Pos.	Description	Item. No.	Cross 5	Cross 5 XL
1	Cover back 3A/B2B 35 cm Black spacer	63204-68	●	
	Cover back 3A/B2B 37.5 cm Black spacer	63205-68	●	
	Cover back 3A/B2B 40 cm Black spacer	63206-68	●	
	Cover back 3A/B2B 42.5 cm Black spacer	63207-68	●	
	Cover back 3A/B2B 45 cm Black spacer	63208-68	●	
	Cover back 3A/B2B 47.5 cm Black spacer	63209-68	●	
	Cover back 3A/B2B 50 cm Black spacer	63210-68	●	
	Cover back 3A/B2B 52.5 cm Black spacer	63211-68	●	
	Cover back 3A/B2B 55 cm Black spacer	63212-68	●	
	Cover back 3A/B2B 57.5 cm Black spacer	63213-68	●	
	Cover back 3A/B2B 60 cm Black spacer	63214-68	●	

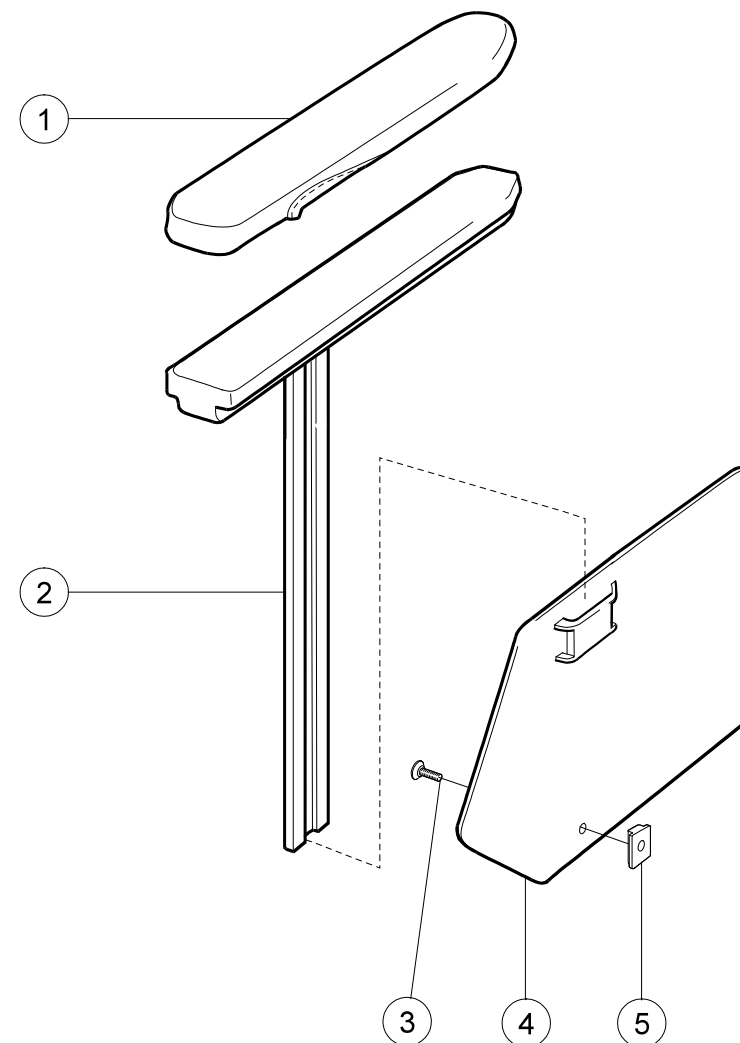
## Arm support detachable pad

Pos.	Description	Item. no.		
			Cross 5	Cross 5 XL
1-6	Arm support detachable pad short right	28780-1	●	●
	Arm support detachable pad short left	28780-2	●	●
	Arm support detachable pad long right	28781-1	●	●
	Arm support detachable pad long left	28781-2	●	●
	Arm support detachable pad short right with finger screw	28782-1	●	●
	Arm support detachable pad short left with finger screw	28782-2	●	●
	Arm support detachable pad long right with finger screw	28783-1	●	●
	Arm support detachable pad long left with finger screw	28783-2	●	●
1	Arm support detachable pad short without pad	28684	●	●
	Arm support detachable pad long right without pad	28685-1	●	●
	Arm support detachable pad long left without pad	28685-2	●	●
2	Stop bar for arm support	80661	●	●
3	Screw B 8x19 RXS/A2 Ph st 4.2	11064	●	●
4	Arm support pad M100 short right	82294-1	●	●
	Arm support pad M100 short left	82294-2	●	●
	Arm support pad M100 long right	82295-1	●	●
	Arm support pad M100 long left	82295-2	●	●
5	Sideguard right	50316	●	●
	Sideguard left	50317	●	●
6	Screw M5x14 MF6S 10.9 black Esloc	11237	●	●
7	Finger Screw	82402	●	●

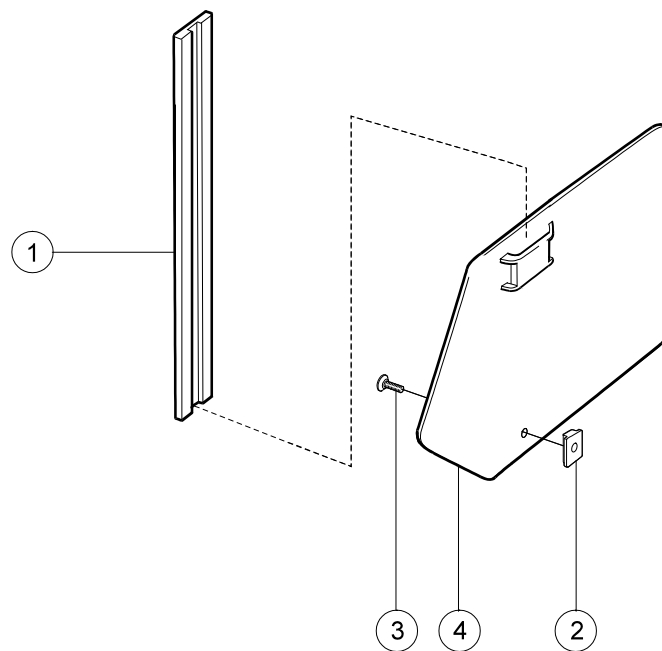


## Arm support with solid arm support plate

Pos.	Description	Item. No.		
			Cross 5	Cross 5 XL
1	Cover arm support short dark grey	62282-60	●	●
	Cover arm support long dark grey	62283-60	●	●
	Cover arm support Gel short compl dark grey	26240-60	●	●
	Cover arm support Gel long compl dark grey	26241-60	●	●
	Cover arm support short Dartex	62282-63	●	●
	Cover arm support long Dartex	62283-63	●	●
	Cover arm support Gel short compl Dartex	26240-63	●	●
	Cover arm support Gel long compl Dartex	26241-63	●	●
2-5	Arm support Cross short right L 25 cm	25172-1	●	●
	Arm support Cross short left L 25 cm	25172-2	●	●
	Arm support Cross long right L 38 cm	25173-1	●	●
	Arm support Cross long left L 38 cm	25173-2	●	●
3	Screw M 5x 14 MF6S 10.9 black	11237	●	●
4	Sideguard Cross/M100 nylon right	50316	●	●
	Sideguard Cross/M100 nylon left	50317	●	●
5	Stop bar for arm support	80661	●	●



## Sideguard



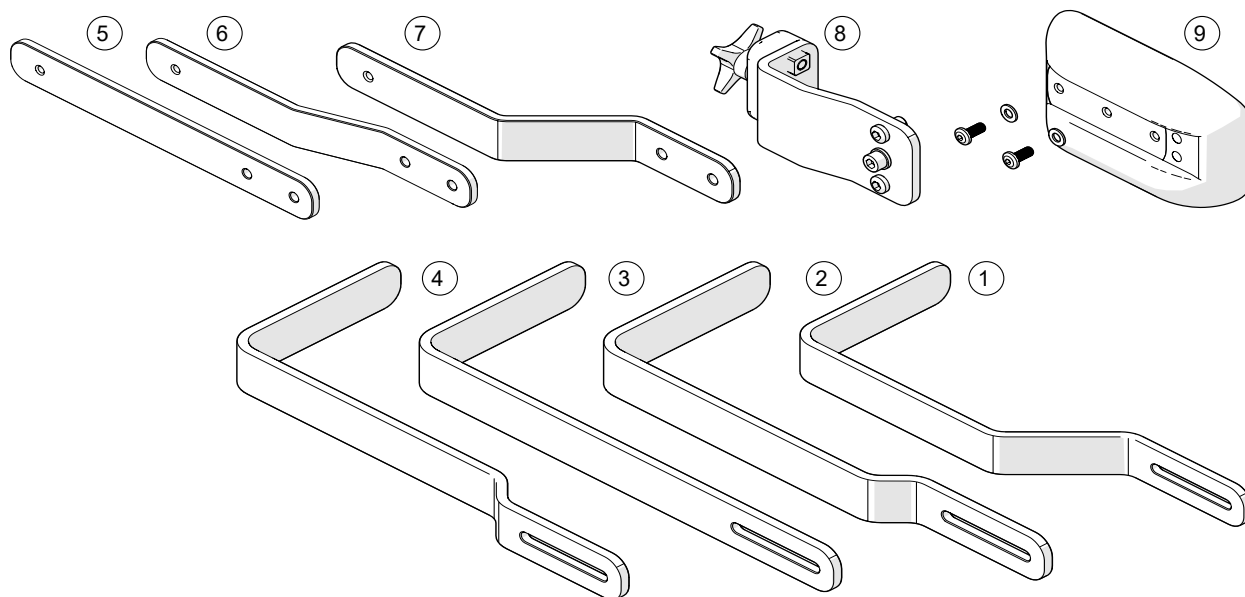
Pos.	Description	Item. No.	Cross 5	Cross 5 XL
1	Sideguard bracket Cross 6005 T6 SS4107-06	80631	●	●
2	Stop bar for arm support	80661	●	●
3	Screw M 5x 14 MF6S 10.9 black	11237	●	●
4	Sideguard Cross/M100 nylon right	50316	●	●
	Sideguard Cross/M100 nylon left	50317	●	●
1-4	Sideguard Cross right black	25189-1	●	●
	Sideguard Cross left black	25189-2	●	●





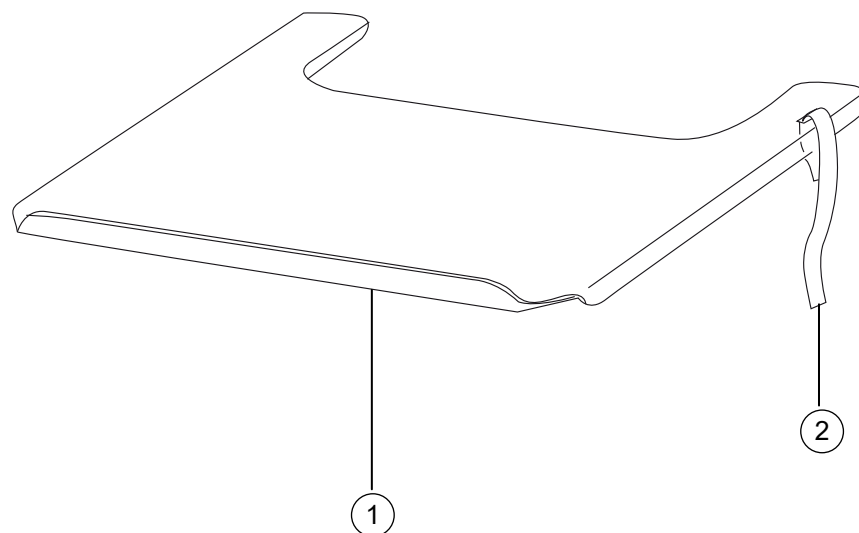


## Lateral support, back support 3A cont.



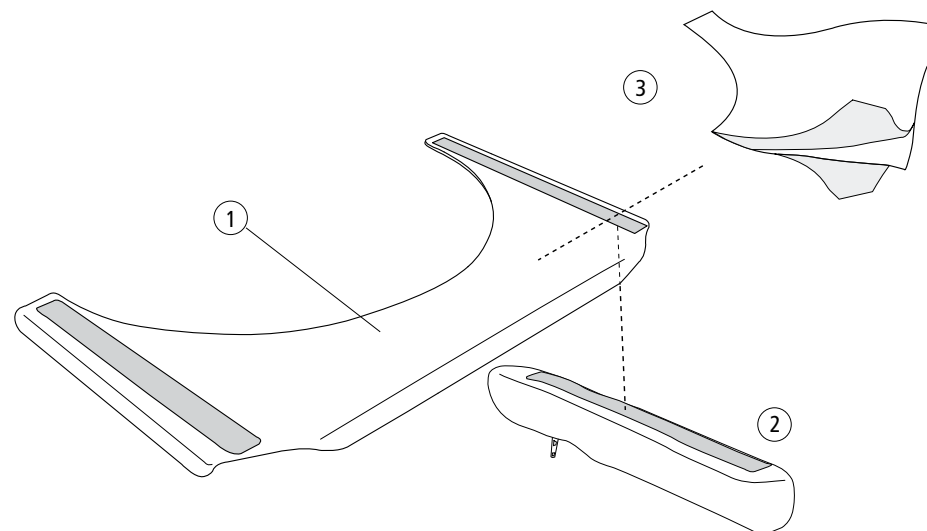
Pos.	Description	Item. No.		
			Cross 5	Cross 5 XL
1	Trunk support bar -45 mm	83002	●	●
2	Trunk support bar -15 mm	83017	●	●
3	Trunk support bar 0 mm	83018	●	●
4	Trunk support bar +15 mm	83019	●	●
5	Trunk support bar ssb -0 mm	83046	●	●
6	Trunk support bar ssb -15 mm	83045	●	●
7	Trunk support bar ssb -45 mm	83001	●	●
8	Trunk support attachment 3A compl	28146	●	●
9	Trunk support pad straight	83005	●	●

## Tray



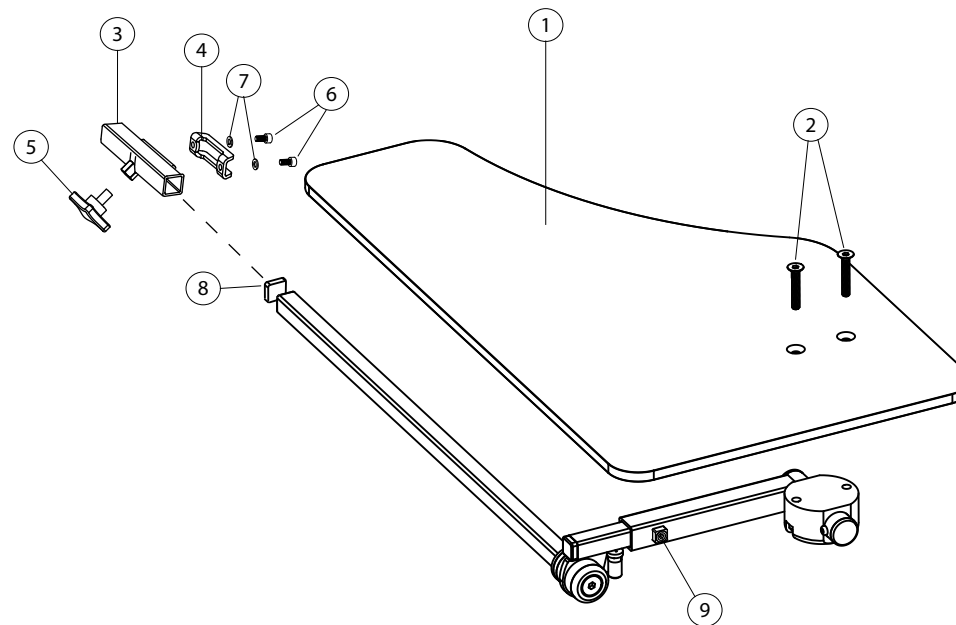
Pos.	Description	Item. No.	Cross 5	Cross 5 XL
	Strap for tray 27.5-50 cm (11-20)	62103	●	●
	Tray 45 cm compl for wheelchair 35 cm (14)	24417	●	
	Tray 47.5 cm compl for wheelchair 37.5 cm (15)	25187	●	
	Tray 50 cm compl for wheelchair 40 cm (16)	24418	●	
	Tray 52.5 cm compl for wheelchair 42.5 cm (17)	25188	●	
	Tray 55 cm compl for wheelchair 45 cm (18)	24419	●	
	Tray 57.5 cm compl for wheelchair 47.5 cm (19)	25731	●	●
	Tray 60 cm compl for wheelchair 50 cm (20)	24601	●	●
	Tray 62.5 cm for 52.5 cm chair compl	26020		●
	Tray 65 cm for 55 cm chair compl	26021		●
	Tray 67.5 cm for 57.5 cm chair compl	26022		●
	Tray 70 cm for 60 cm chair compl	26907		●

## Tray hemi



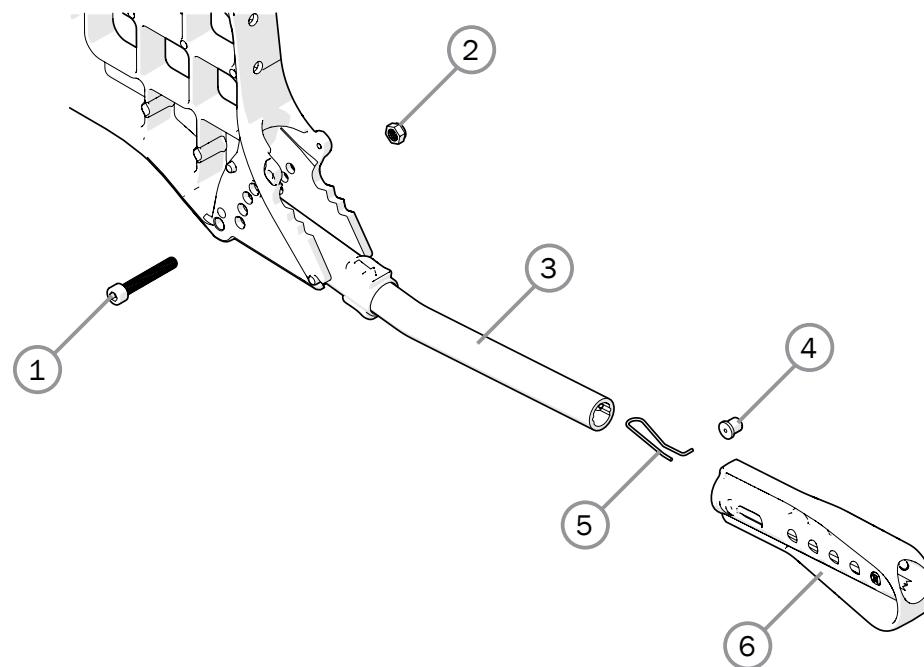
Pos.	Description	Item. No.	Cross 5	Cross 5 XL
2	Cover arm support table hemi short with Velcro	81631	●	●
	Cover arm support table hemi long with Velcro	81632	●	●
3	Anti glide table hemi 35-50 cm	81633	●	●
1-2	Tray hemi 45 cm for wheelchair 35 cm (14) with short arm support cover	26556	●	
	Tray hemi 47.5 cm for wheelchair 37.5 cm (15) with short arm support cover	26557	●	
	Tray hemi 50 cm for wheelchair 40 cm (16) with short arm support cover	26558	●	
	Tray hemi 52.5 cm for wheelchair 42.5 cm (17) with short arm support cover	26559	●	
	Tray hemi 55 cm for wheelchair 45 cm (18) with short arm support cover	26560	●	
	Tray hemi 57.5 cm for wheelchair 47.5 cm (19) with short arm support cover	26561	●	●
	Tray hemi 60 cm for wheelchair 50 cm (20) with short arm support cover	26562	●	●
	Tray hemi 45 cm for wheelchair 35 cm (14) with long arm support cover	26563	●	
	Tray hemi 47.5 cm for wheelchair 37.5 cm (15) with long arm support cover	26564	●	
	Tray hemi 50 cm for wheelchair 40 cm (16) with long arm support cover	26565	●	
	Tray hemi 52.5 cm for wheelchair 42.5 cm (17) with long arm support cover	26566	●	
	Tray hemi 55 cm for wheelchair 45 cm (18) with long arm support cover	26567	●	
	Tray hemi 57.5 cm for wheelchair 47.5 cm (19) with long arm support cover	26568	●	●
Tray hemi 60 cm for wheelchair 50 cm (20) with long arm support cover	26569	●	●	

## Tray hemi/communication



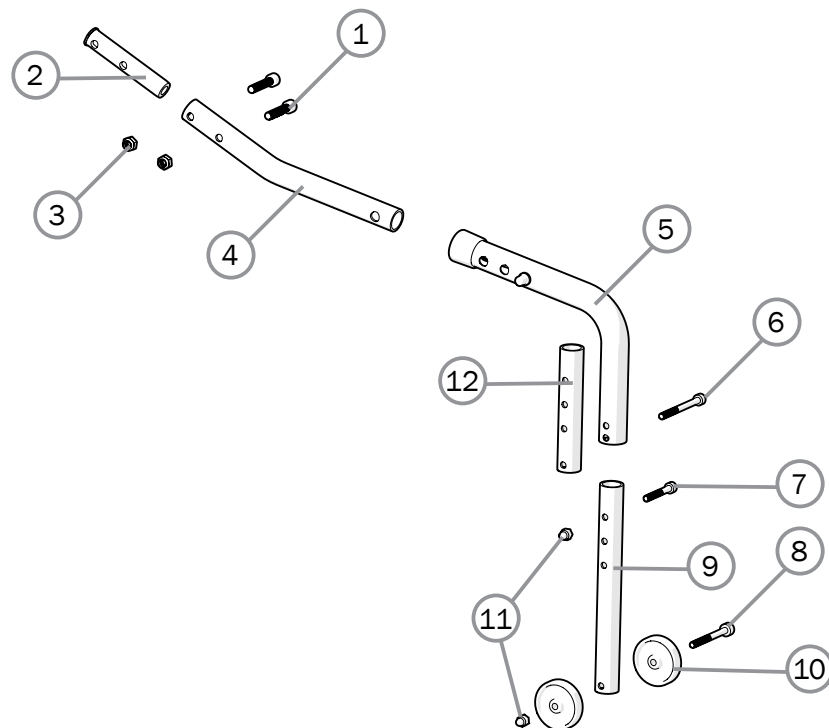
Pos.	Description	Art. nr.	Cross 5	Cross 5 XL
1-9	Tray Hemi/Communicatin half right	27352-1	●	●
	Tray Hemi/Communicatin half left	27352-2	●	●
1	Plate Tray hemi	82420	●	●
2	Screw M 6x 35 MF6S 8.8 black	11287	●	●
3	Hold arm support	27356	●	●
4	Attachment plate arm support	82408	●	●
5	Locking wheel M8x14mm L	400118	●	●
6	Screw M 5x 8 MC6S black	11414	●	●
7	Spring washer 5,3 x 10 x 0,5	13026	●	●
8	End stop IFR 1515-1,5s	50972	●	●
9	Stop screw M6 x 10	11614	●	●

## Anti tip



Pos.	Description	Item. No.	Cross 5	Cross 5 XL
1-6	Anti-tip multi Cross 5/6 Prio cc 59 cpl	28457	●	●
1	Screw M6x 40 MC6S 10.9 zink plated	11229	●	●
2	Locking nut M6	12017	●	●
3	Anti-tip tube		●	●
4	Pin		●	●
5	Spring		●	●
6	Anti-tip extension multi	51201	●	●

## Anti tip mod 2 Cross 5



	Cross 5	Cross 5 XL
●		
●		
●		
●		
●		
●		

7	Screw M5x30 MC6S	11346
8	Screw M5x50 MC6S 8.8	11687
9	Extension anti-tip	28467
10	Wheel 40/5,2/12 anti-tip	80727
11	Locking nut M5 domed	12168
12	Extension short	25376

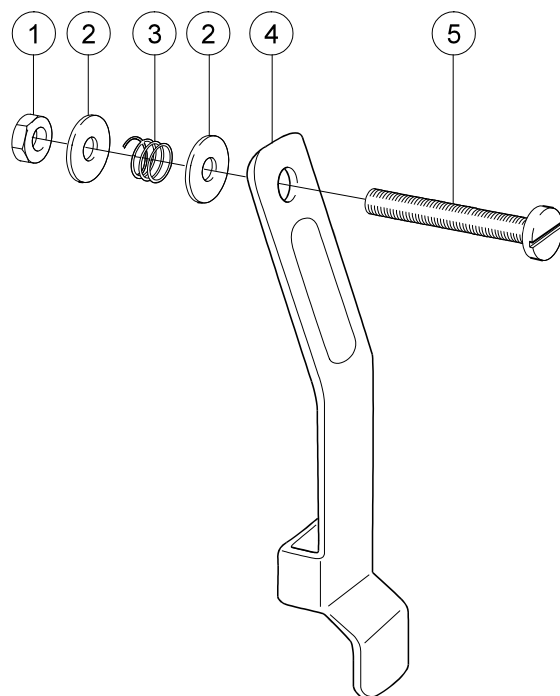
	Cross 5	Cross 5 XL
●		
●		
●		
●		
●		
●		

Pos.	Description	Item. no.
1-12	Anti-tip mod 2 std	28470
1	Screw M6x30 MC6S	11019
2	Support sleeve anti-tip mod 2	20530
3	Locking nut M6 DIN 985-6	12017
4	Holder anti-tip mod 2	28468
5	Tube anti-tip	25374
6	Screw M5x55 MC6S 8.8	11686





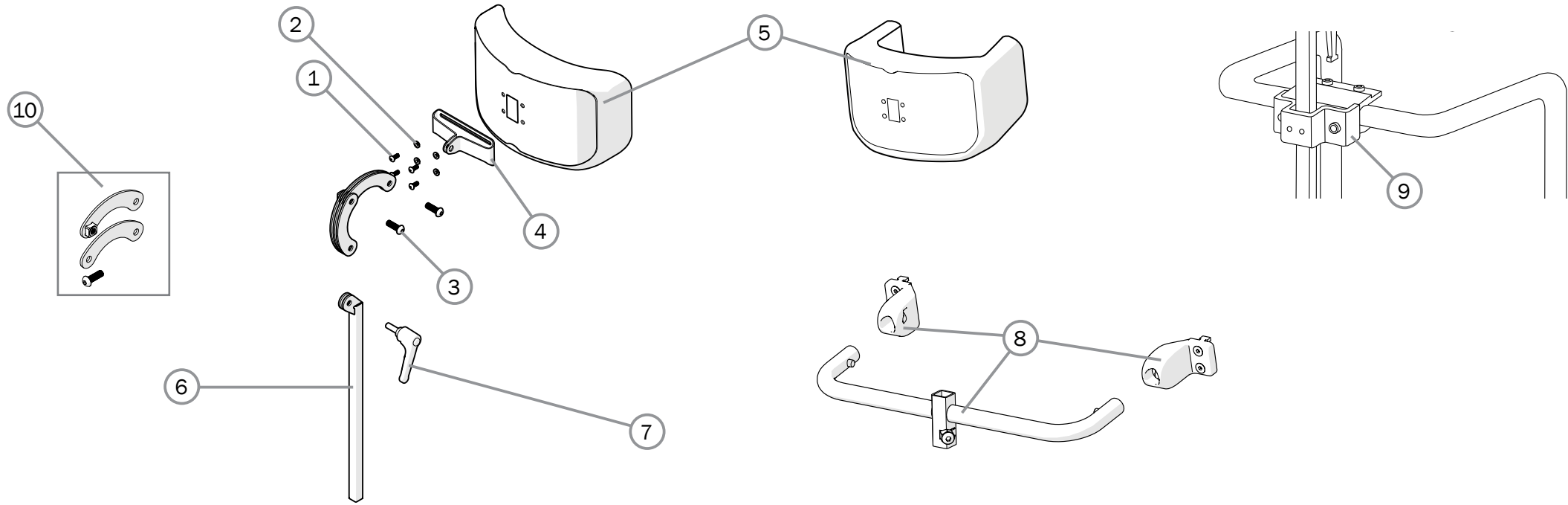
## Tetra quickrelease adapter



Pos.	Description	Item. No.		
			Cross 5	Cross 5 XL
1	Locking nut M 5 DIN 985-6 zink plated	12003	●	●
2	Washer 6.4x 14x 1.55 alu	13010	●	●
3	Spring 1.5 inv 6 L15 zink plated	80019	●	●
4	Tongue tetraknob black	24040-01	●	●
5	Screw M 5x 35 zink plated	11001	●	●
1-5	Tetra quick release adapt black	24051-01	●	●



# Head support



Pos.	Description	Item. No.	Cross 5	Cross 5 XL
1-7	Head support mod 4 hygiene	28534-65	●	●
	Head support mod 4 dark grey	28534-60	●	●
	Head support with side support grey hygiene	28536-65	●	●
1	Screw M 5x 12 K6S 10.9 fzb	11208	●	●
2	Joint bushing	50285	●	●
3	Screw M8x25	11706	●	●
4	Attachment head support	83288	●	●
5	Cover for head support plush	63177-60	●	●
	Cover for head support hygiene	63177-65	●	●
	Cover for head support with side support	63185-65	●	●
6	Tube hold neckrest L 350	28533	●	●
7	Handle head support	80684	●	●

Pos.	Description	Item. No.	Cross 5	Cross 5 XL
8	Head support attachment 3A 35 cm	28125	●	
	Head support attachment 3A 37,5 cm	28126	●	
	Head support attachment 3A 40 cm	28127	●	
	Head support attachment 3A 42,5 cm	28128	●	
	Head support attachment 3A 45 cm	28129	●	
	Head support attachment 3A 47,5 cm	28130	●	
	Head support attachment 3A 50 cm	28131	●	
	Head support attachment 3A 52,5 cm	28132	●	
	Head support attachment 3A 55 cm	28133	●	●
	Head support attachment 3A 57,5 cm	28134		●
9	Head support bracket	25795	●	●
10	Extension head support	29012	●	●

## Drip stand

Pos.	Description	Item. no.		
			Cross 5	Cross 5 XL
1-7	IV stand compl	28323	●	●
1	IV stand	28338	●	●
2-7	Attachment IV stand	28339	●	●
2	Knob		●	●
3	Attachment		●	●
4	Plate		●	●
5	Nut		●	●
6	Screw		●	●
7	Washer		●	●

