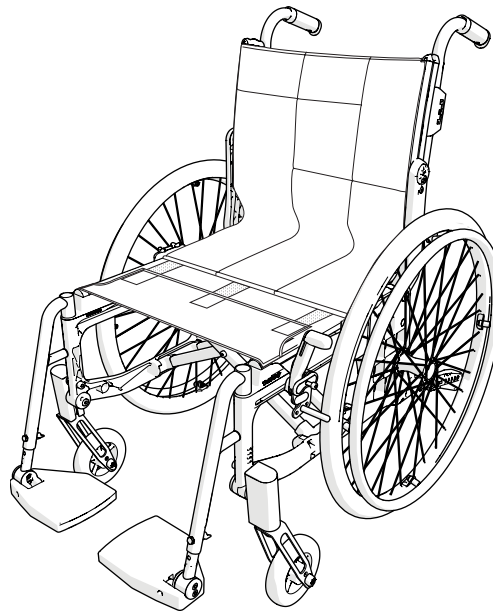


Etac Cross 6

Spareparts list english



1a16865.15 2026-01-09

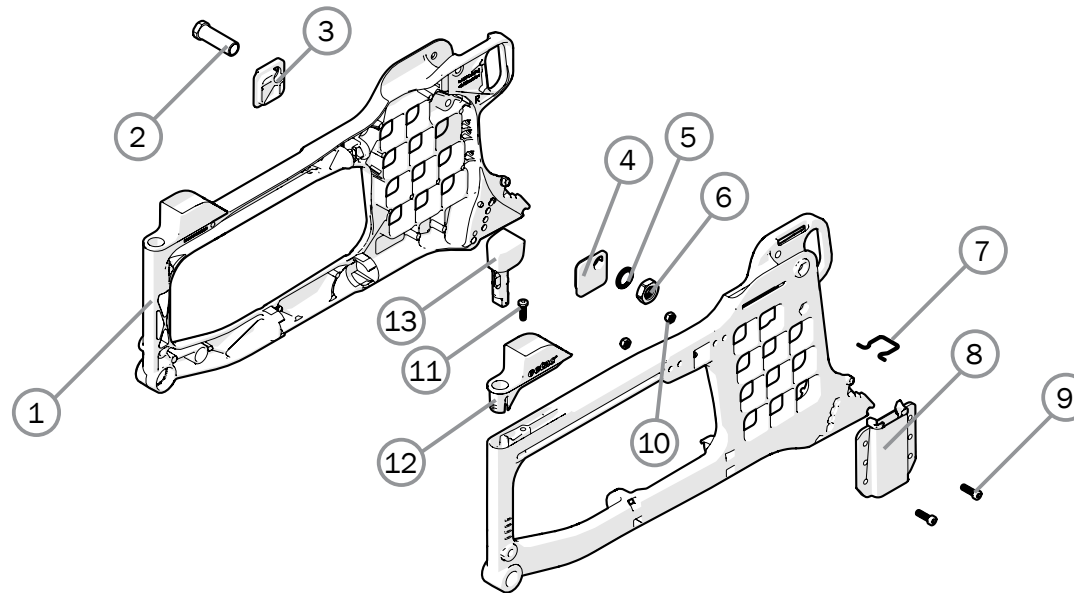


Etac Cross 6

Index

Index	Page
Side frame	3
Cross frame	4
Back support 3A	5-6
Back support tubes for separate back support, ECS (Crossback 2)	7
Fixed back support with fixed push handles	8
Back support 2B	9
Bow handle	10
Back support brace	11
Leg support	12
Leg support elevating mod 1/ Flip-up	13
Leg support elevating mod 3	14
Amputee leg support	15
Plaster leg support	16
Foot support	17-19
Foot support one piece	20
Brake	21
Rear wheel	22-24
Drum brake	25-26
Drum brakes, fixed back support with fixed push handles	27
Single hand drive	28
Tyre and innertube	29-30
Handrim	31-32
Castor	33-34
Width expansion kit	35
Upholstery seat/Seat extension Cross back 3A	36
Solid seat	37
Back support upholstery Cross back mod. 2	38
Back support upholstery Cross back 3A	39
Back support upholstery Cross back 2B	40
Back support upholstery fixed back	41
Back support cover Cross back mod. 2	42
Back support cover Cross back 3A	43-45
Back support cover Cross back 2B	46
Arm support	47-49
Sideguard	50
Mudguard	51-52
Thigh support	53
Trunk support Cross back 3A	54-55
Tray	56
Tray Hemi	57
Tray Hemi/Communication	58
Anti tip	59
Spoke guard	60
Tetra quick release adapter	61
Cane holder	62
Head support	63
IV stand	64

Side frame



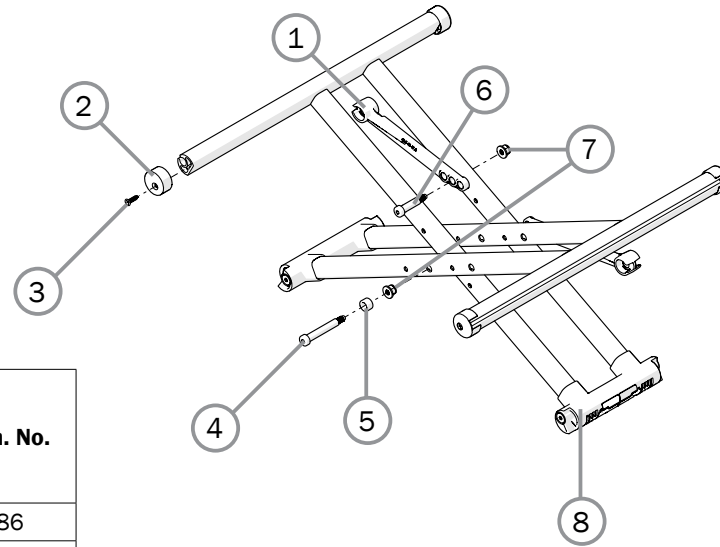
Pos.	Description	Item. no.
1	Side frame Cross 6 std right	Contact Etac customer service
	Side frame Cross 6 std left	
	Side frame Cross 6 long right	
	Side frame Cross 6 long left	
2	Axle sleeve M100 D12	20537
	Axle sleeve for axle D12,7x110	83893
3	Camber washer outer 2°	82567
	Camber washer outer 0°	82569
4	Camber washer inner 2°	82568
	Camber washer inner 0°	82570
5	Schnorr washer 17x24x1.3 zink plated	13084
6	Nut M16x 1 NV 24 B8	12052

Pos.	Description	Item. no.
7	Wire attachment anti-tip	83412
8	Attachment arm support Cross/Transit	25535
9	Screw M6x20 MC6S 8.8 black	11392
10	Locking nut M 6	12035
11	Screw M6x20 MRT-GF steel TX	11703
11-12	Support seat tube Cross 6 cpl ri/le	28615
13	Cover	51213
14	Touch up paint	80517-xx

Frame colors:

01= matte black, 92=white, 78=grey

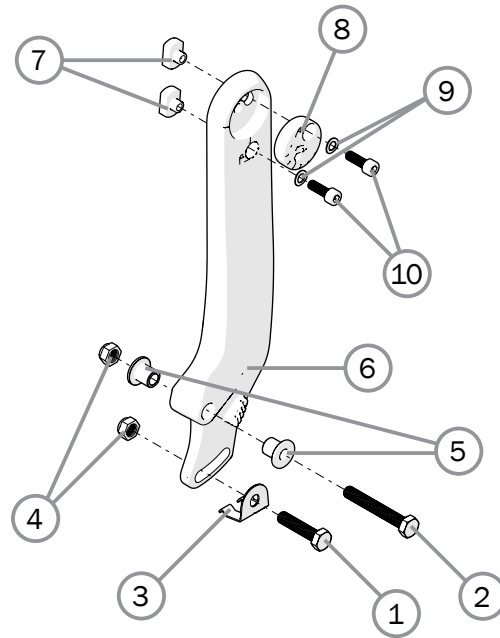
Cross frame



Pos.	Description	Item. No.
1	Crosslink 35-40 cm	51186
	Crosslink 42.5-47.5 cm	51187
	Crosslink 50-52.5 cm	51188
2	Plug seat tube D-profile	51189
3	Screw B8x16FXS black	11401
4	Axle bolt Cross	83248
5	Spacer 13/8.2/8	51192
6	Axle bolt Crosslink	83249
7	Locking nut M6 DIN 6926	12169
8	Attachment cross short	51190
	Attachment cross long	51191

Pos.	Description	Item. No.
1-8	Cross short 35 compl (14") mod 4	
	Cross short 37.5 (15") compl mod 4	
	Cross short 40 (16") compl mod 4	
	Cross short 42.5 (17") compl mod 4	
	Cross short 45 (18") compl mod 4	
	Cross short 47.5 (19") compl mod 4	
	Cross short 50 (20") compl mod 4	
	Cross short 52.5 (21") compl mod 4	
	Cross long 35 (14") compl mod 4	
	Cross long 37.5 (15") compl mod 4	
	Cross long 40 (16") compl mod 4	
	Cross long 42.5 (17") compl mod 4	
	Cross long 45 (18") compl mod 4	
	Cross long 47.5 (19") compl mod 4	
	Cross long 50 (20") compl mod 4	
	Cross long 52.5 (22") compl mod 4	

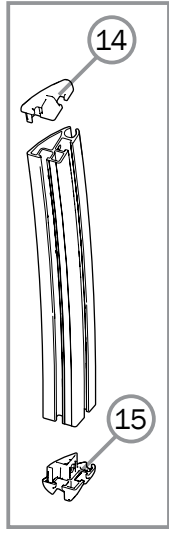
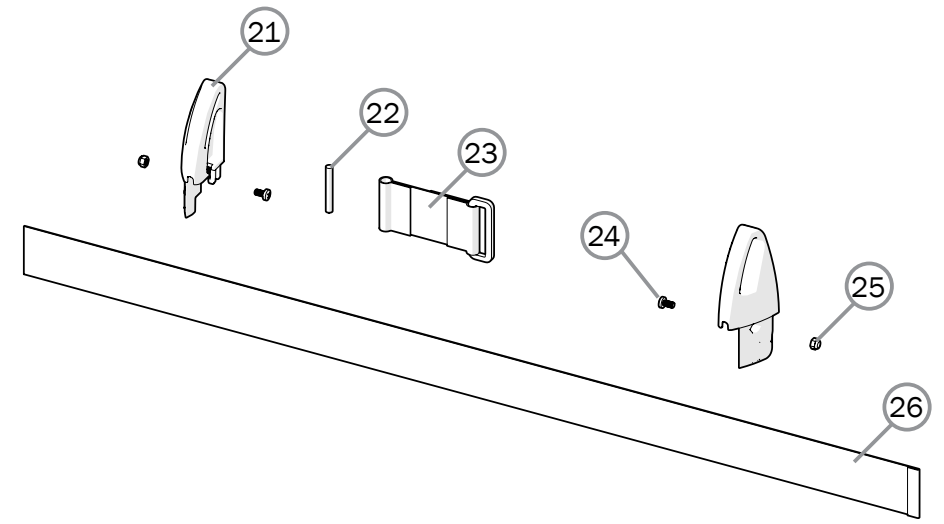
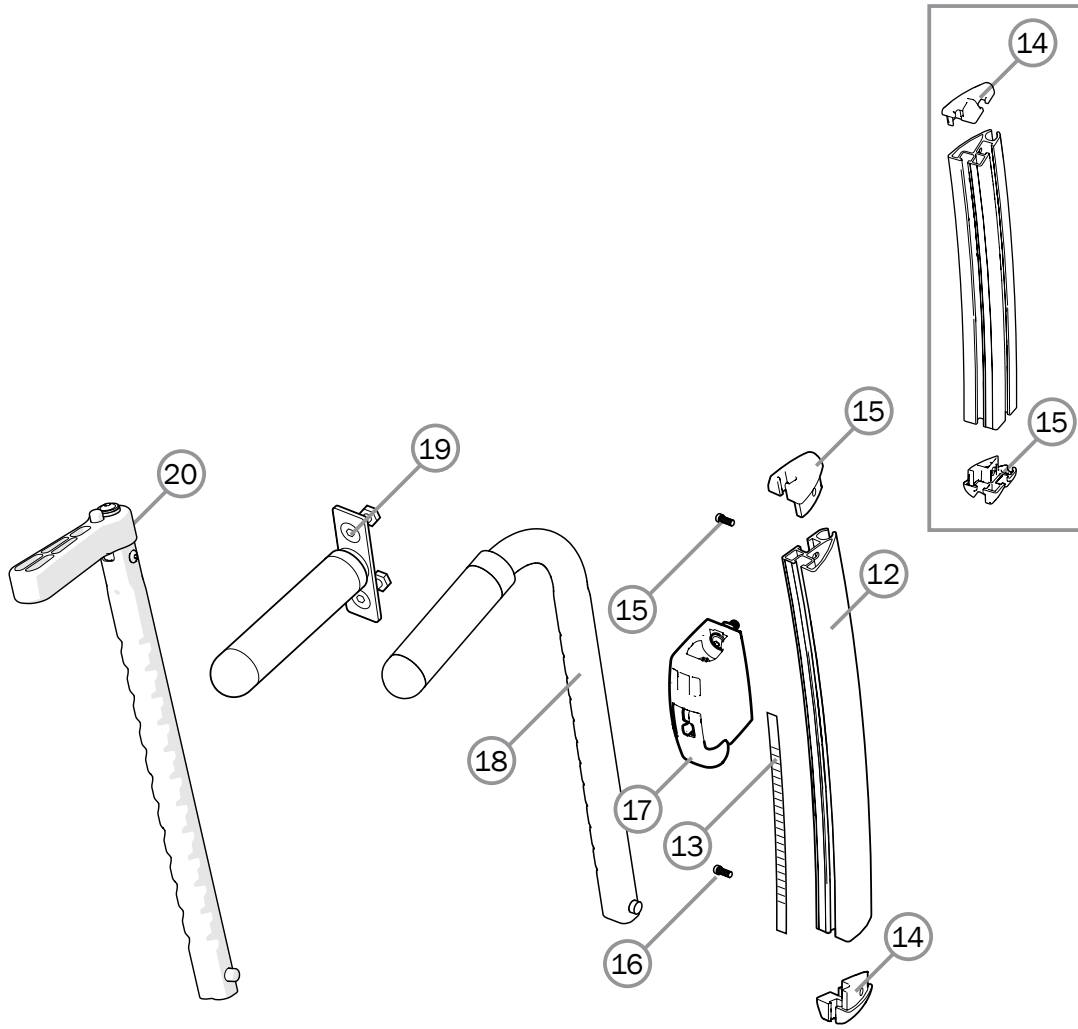
Back support 3A



Pos.	Description	Item. no.
1	Screw M8x30 M6S	11363
2	Screw M8 x 50 M6S FE/ZN P4	11705
3	Lock backrest chassi	83400
4	Locking nut M8 DIN 985	12051
5	Pin bushing Cross back 3A	82504
6	Back support chassis Cross back 3A right	83290-1
	Back support chassis Cross back 3A left	83290-2

Pos.	Description	Item. no.
7	Nut T-slot back Cross back mod 3	20028
8	Eccentric washer back support frame	83291
9	Circlip M6 wavy zink plated	13113
10	Screw M6x20 MC6S 12.9	11684

Back support 3A cont.

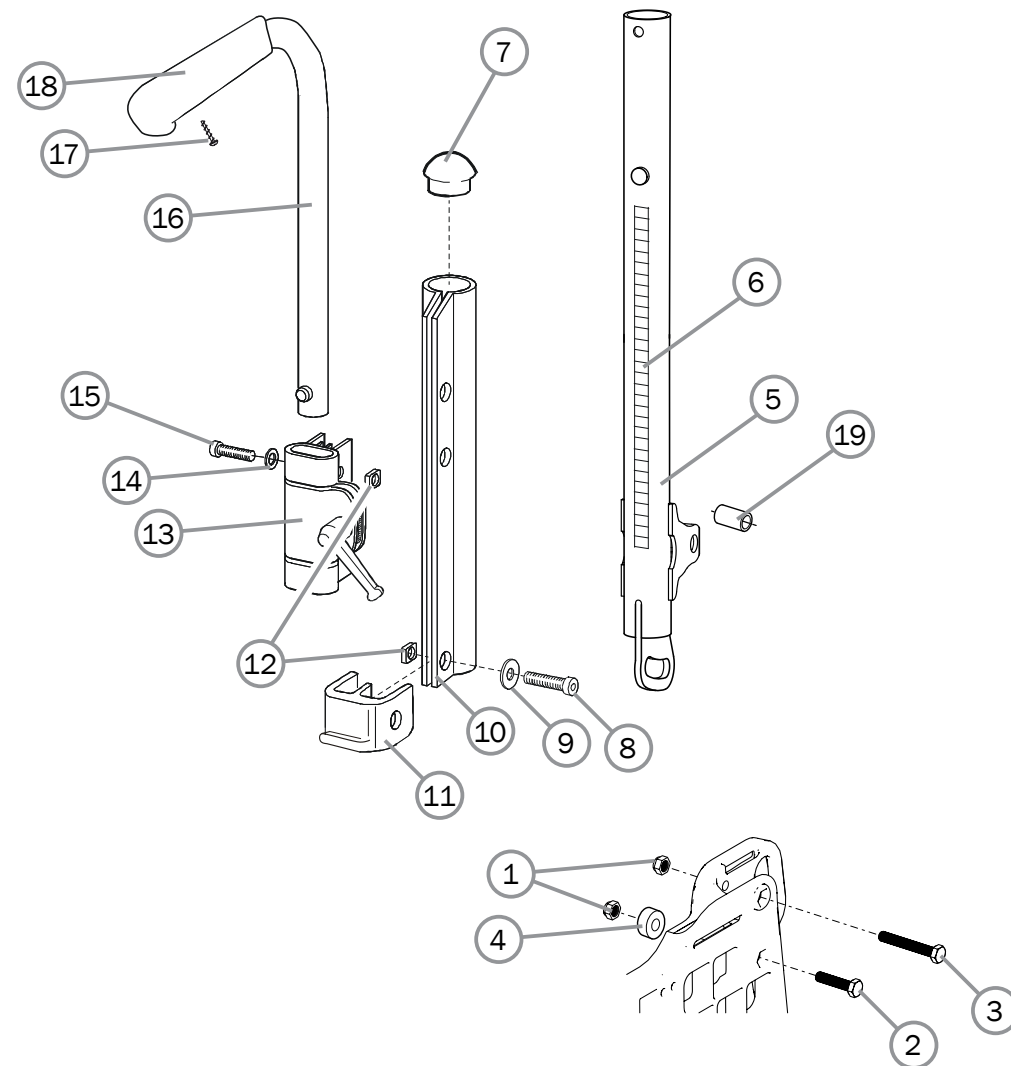


Pos.	Description	Item. No.
18	Push handles h adj Cross	27588-01
19	Push handle fixed Crossback 3A	27644
20	Push handle swing-away	24591
21-26	Extension back 3A 35-40 cpl	28658
	Extension back 3A 42,5-50 cpl	28659
	Extension back 3A 52,5-60 cpl	28660
21	Extension back R	51223-1
	Extension back L	51223-2
22	Tension rod	51222
23	Loop extension back 3A cpl	63294
24	Screw M4x8 MRX black 4.8 pos	11441
25	Locking nut M4 zink plated	12026
26	Seat depth extension 35-40 cm	63291
	Seat depth extension 42,5-50 cm	63292
	Seat depth extension 52,5-60 cm	63293

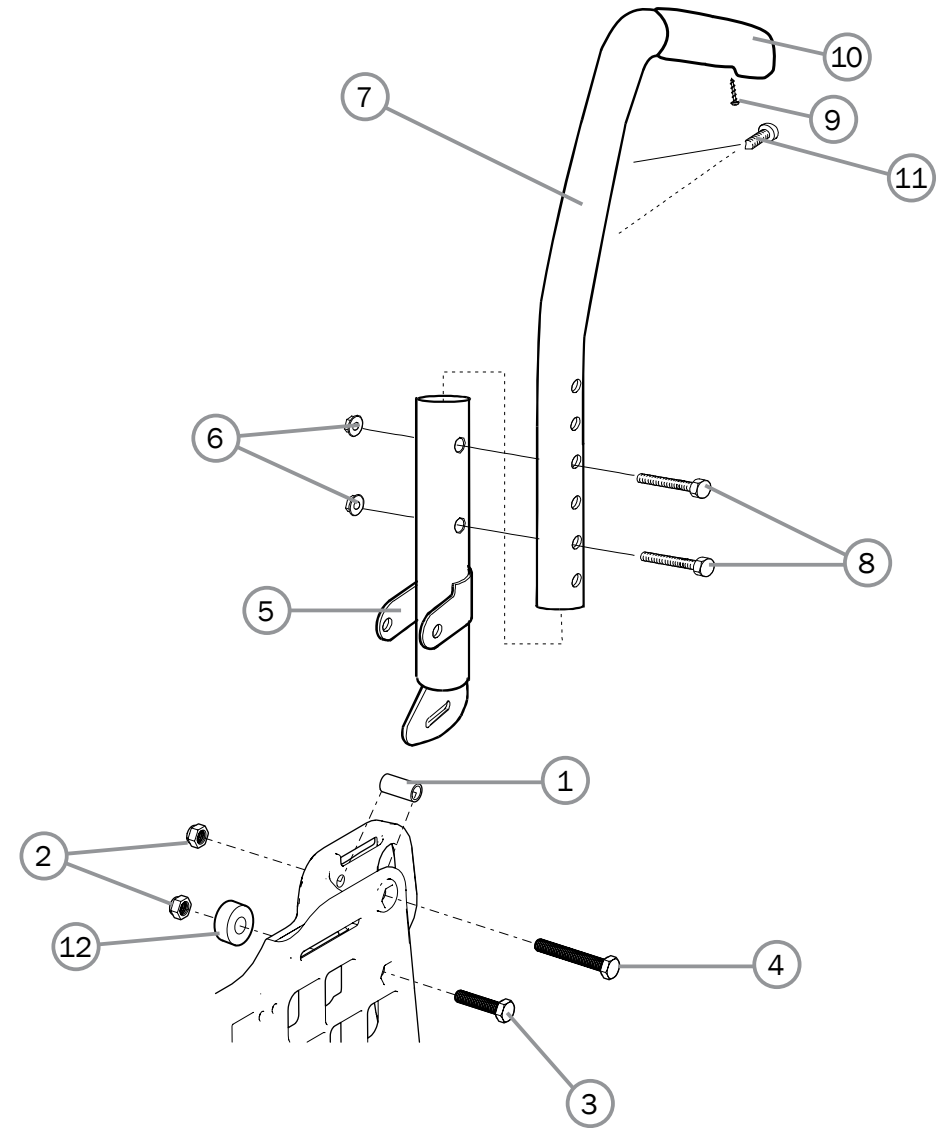
Pos.	Description	Item. No.
12	Back rail Cross 3A right	83013-1
	Back rail Cross 3A left	83013-2
13	Label height adjustment	71377
	Label height adjustment high	71378
14	Dust cover 1 with locking nut	84109
15	Dust cover 2 with locking nut	84110
16	Screw MRX M4x8	11441
17	Attachment push handle ri height adj	28576

Back support tubes for separate back support, ECS (Crossback 2)

Pos.	Description	Item. No.
1	Locking nut M 8x 1 DIN 985	12051
2	Screw M 8x 1x30 black	11363
3	Screw M8x1x55 M6S 10.9 black	11432
4	Spacer 20/8.5/9.5	20320
5	Back tube Cross back 2	25593-01
6	Label height adjustment	71851
7	Plug 25-21/23 R12.5	50248
8	Screw M 6x 22 MC6S fzb	11012
9	Washer BRB 6x3x10x1.5 fzb	13080
10	Wedge back 6063A-T6	80851
11	Dust cover Cross back 2 right	50405
	Dust cover Cross back 2 left	50407
12	Square nut high M6	12058
5-12	Back support tube compl. right	25609-01-1
	Back support tube compl. left	25609-01-2
13	Attacher push handles	25676
14	Washer BRB M 6	13030
15	Screw M6x30 MC6S 8.8 black esloc	11398
16	Push handles heightadjustable	27298
17	Screw M6 x 25	11041
18	Cover for handle	82221
16-18	Push handle h adj Cross std	27338-01
19	Joint support back	20319



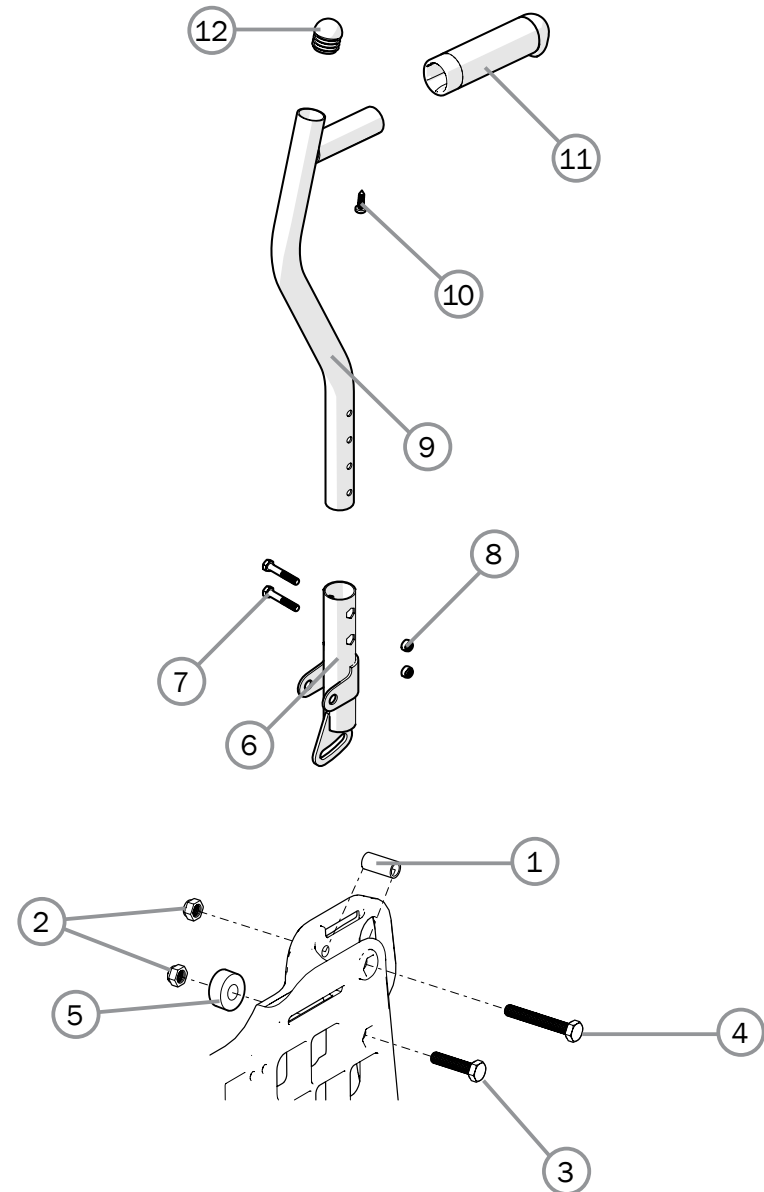
Fixed back support with fixed push handles



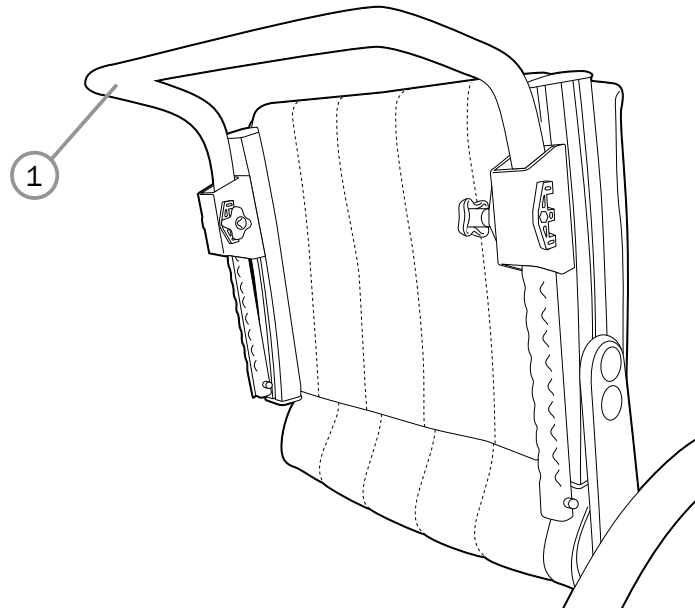
Pos.	Description	Item. No.
1	Joint support back support	20319
2	Locking nut M8x1 DIN 985	12051
3	Screw M8x1x30 10.9	11363
4	Screw M8x55x1 M6S 10.9 black	11432
5	Back support tube attachment	26571-01
6	Locking nut M5 M6MF	12060
7	Back support tube with push handle Twin	27344-01
8	Screw M5x30 M6S	11403
9	Screw B8x16 RTS st 4.2	11041
10	Cover for handle	82221
11	Screw M5x12 K6S 10.9	11208
12	Spacer	20320

Back support 2B

Pos.	Description	Item. No.
1	Joint support back support	20319
2	Locking nut M8x1 DIN 985	12051
3	Screw M8x1x30 10.9	11363
4	Screw M8x55x1 M6S 10.9 black	11432
5	Spacer	20320
6	Back support attachment B2B cpl	28366-01
7	Screw M 5x 30 M6S zink plated	11403
8	Locking nut M 5 black DIN 985-6	12060
9	Back support tube low	
	Back support tube high	
10-12	Back support tube with push handle B2B low incl cover for handle	28378
	Back support tube with push handle B2B high incl cover for handle	28379
10	Screw B 8x16 RTS zink plated 4.2	11041
11	cover for handle L80	28364
12	End plug black	51174

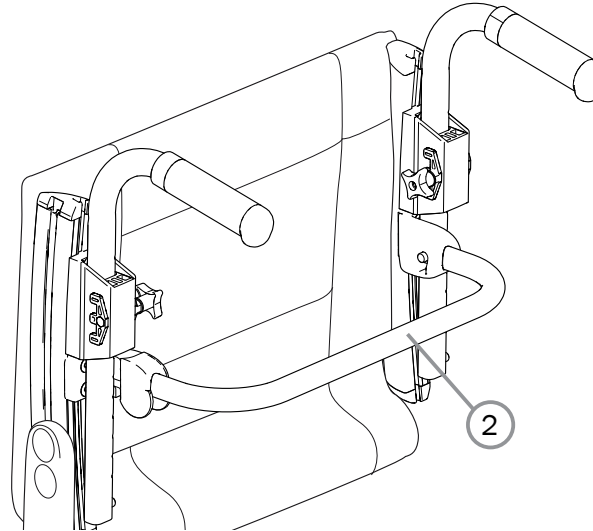
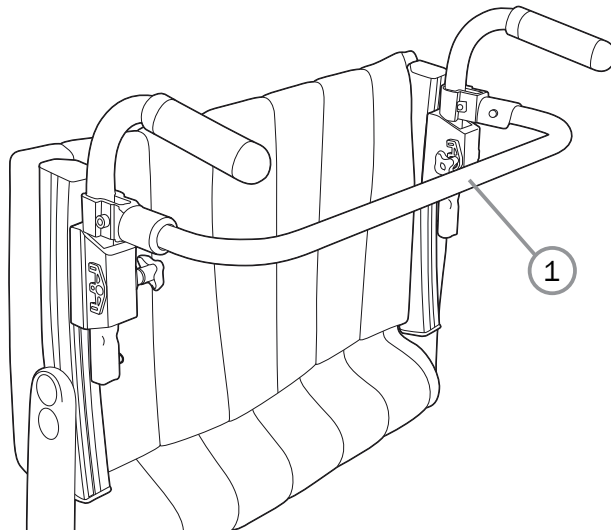


Bow handle



Pos.	Description	Item. No.
1	Bow handle 32.5 cm back 3A 35 cm height adj compl	27433-01
	Bow handle Cross back 2 35 cm back 3A 37.5 cm height adj compl	25578-01
	Bow handle Cross back 2 37.5 cm back 3A 40 cm height adj compl	25579-01
	Bow handle Cross back 2 40 cm back 3A 42.5 cm height adj compl	25580-01
	Bow handle Cross back 2 42.5 cm back 3A 45 cm height adj compl	25581-01
	Bow handle Cross back 2 45 cm back 3A 47.5 cm height adj compl	25582-01
	Bow handle Cross back 2 47.5 cm back 3A 50 cm height adj compl	25730-01
	Bow handle Cross XL 45 cm back 3A 47.5 cm height adj compl	27434-01
	Bow handle Cross XL 47.5 cm back 3A 50 cm height adj compl	26063-01
	Bow handle Cross XL 50 cm back 3A 52.5 cm height adj compl	26064-01
	Bow handle Cross XL 52.5 cm back 3A 55 cm height adj compl	26068-01

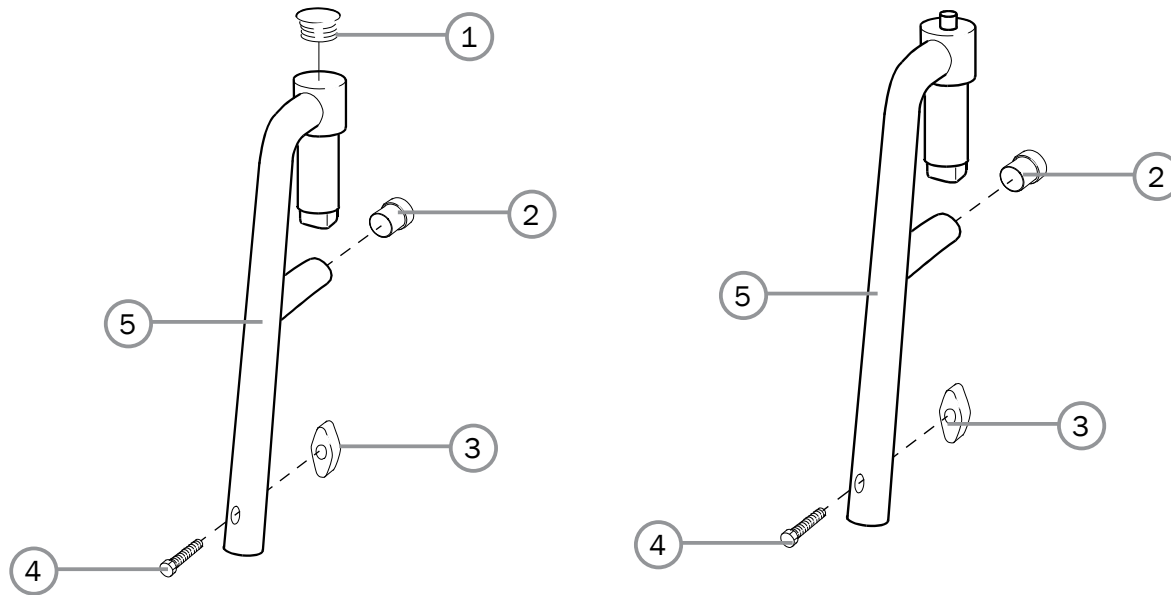
Back support brace



Pos.	Description	Item. No.
1	Back support brace 32.5 cm 35 cm back 3A cpl	27431
	Back support brace 35 cm Cross back 2. 37.5 cm back 3A cpl	25610
	Back support brace 37.5 cm Cross back 2. 40 cm back 3A cpl	25611
	Back support brace 40 cm Cross back 2. 42.5 cm back 3A cpl	25612
	Back support brace 42.5 cm Cross back 2. 45 cm back 3A cpl	25613
	Back support brace 45 cm Cross back 2. 47.5 cm back 3A cpl	25614
	Back support brace 47.5 cm Cross back 2. 50 cm back 3A cpl	25739
	Back support brace 50 cm Cross back 2. 52.5 cm back 3A cpl	25615

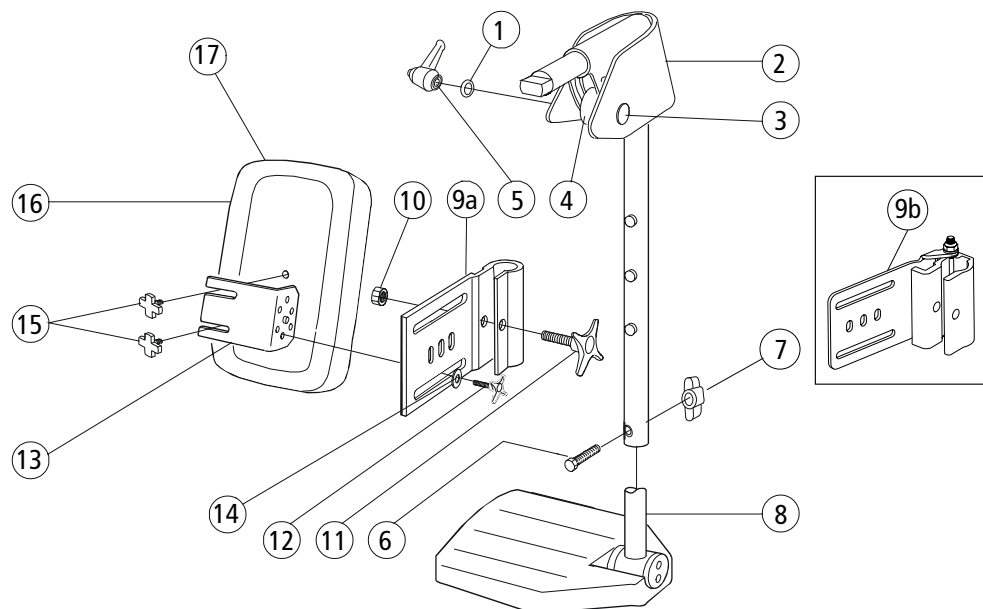
Pos.	Description	Item. No.
2	Back support brace 3A 35 cm compl mod 4	28114
	Back support brace 3A 37,5 cm compl mod 4	28115
	Back support brace 3A 40 cm compl mod 4	28116
	Back support brace 3A 42,5 cm compl mod 4	28117
	Back support brace 3A 45 cm compl mod 4	28118
	Back support brace 3A 47,5 cm compl mod 4	28119
	Back support brace 3A 50 cm compl mod 4	28120
	Back support brace 3A 52,5 cm compl mod 4	28121

Leg support



Pos.	Description	Item. No.
1	Dust cover leg support	50287
2	Dust cover 16x 1 black	50240
3	Wing nut M6	80847
4	Screw M6x30 M6S 8.8 zink plated DIN 931	11555
1-5	Leg support narrow angle	25570-01
	Leg support wide angle	25574-01
	Leg support narrow short	25571-01
2-5	Leg support narrow short lockable	25572-01
	Leg support narrow lockable	25573-01
	Leg support wide lockable	25575-01

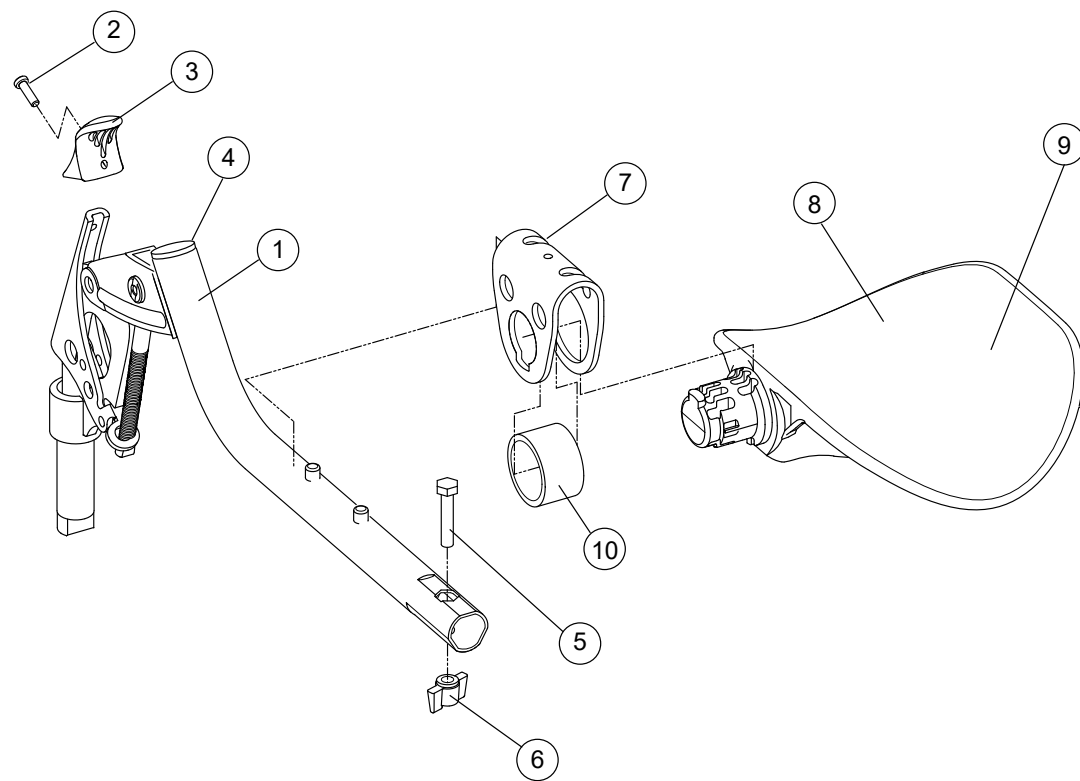
Elevating leg support model 1



Pos.	Description	Item. No.
1	Washer NB 6x16x1.0 black crome	13034
2	Joint guard leg support angle adjustable	62176
3	Screw M 6x 40 MVBF zink plated	11234
4	Spacer leg support vrb Cross	20414
5	Handle M 6x25 43 mm black	80488
6	Screw M 6x 30 M6S zink plated	11555
7	Wing nut M 6	80847
1-7	Leg support elevating mod 1 Cross black	25660-01
8	See page 17 (foot supports)	
9a	Attachment leg support elevating Cross	24446-01
10	Nut M6M M 8 zink plated	12006
11	Knob 60x22 M 8x32 black	80295
12	Knob 40 M 6x17 black	80297

Pos.	Description	Item. No.
13	Holder for calf support leg support elevating black	24421-01
14	Washer 6.4x17x3 DIN 7349 steel zink plated	13052
9a-14	Attachment leg support elevating with holder black	24544-01
9b-14	Attachment leg support FlipUp elevating with holder black	27322-01
15	Knob M 5x15 leg support	80807
15-16	Calf support 35-37.5 cm dark grey	62105-60
	Calf support 40-42.5 cm dark grey	62104-60
	Calf support 45-47.5 cm dark grey	62484-60
	Calf support 50-60 cm dark grey	62451-60
17	Cover calf support 35-37.5	62888-60
	Cover calf support 40-42.5	62889-60
	Cover calf support 45-47.5	62890-60
	Cover calf support 50-60	62906-60

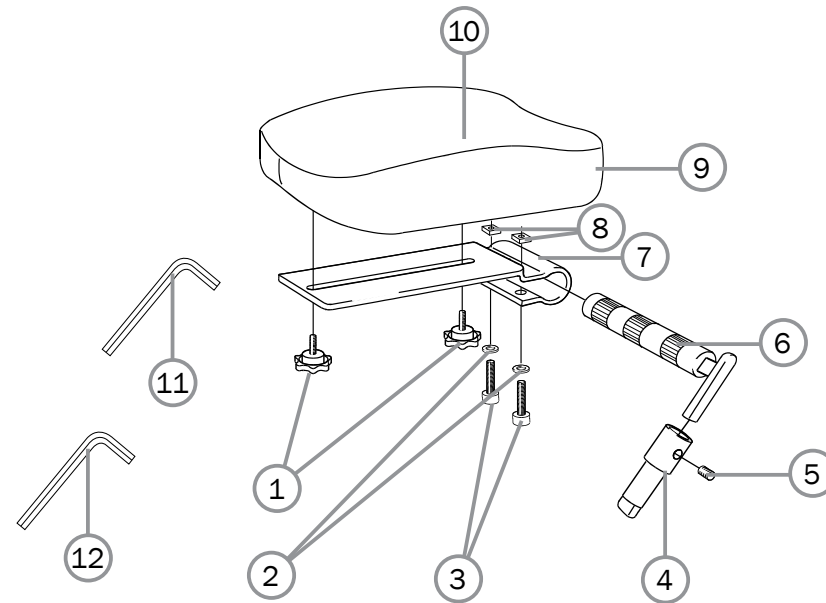
Elevating leg support model 3



Pos.	Description	Item. No.
1-8, 10	Leg support elevating compl with calf support	26100
2	Screw K40x 10 PT-KX black	11419
3	Handle adj leg support	50842
4	Dust cover 22x2	51020
5	Screw M 6x 30 M6S zink plated	11555
6	Wing nut WN M6	80847
7	Bracket calf support adj leg support	26122

Pos.	Description	Item. No.
8	Calf support adj leg support	50844
9	Cover calf support elevating leg support dark grey	62762-60
	Cover calf support elevating leg support Dartex	62762-63
10	PUR-ring	50860
7-8, 10	Calf support compl adj leg support	26136
1-6	Leg support elevation without calfsupport	27149

Amputee leg support

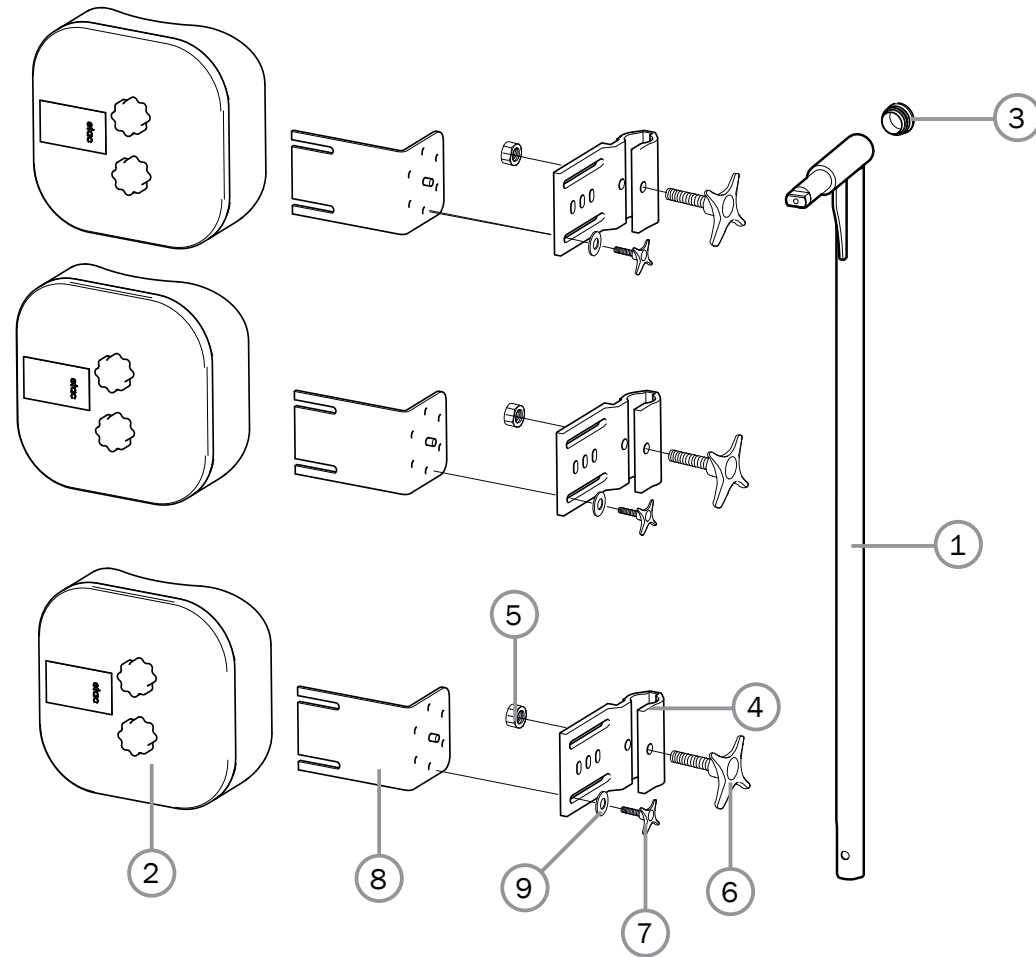


Pos.	Description	Item. No.
1	Knob M 5x15 leg support amputee	80807
2	Washer BRB 8.4/A2 stainless	13011
3	Screw M 8x 35 MC6S	11276
4	Locking tube for leg support amputee	25518-01
5	Stop screw M 8x 8 black	11388
6	Axle leg support amputee compl	25519-01
7	Attachment calf support leg support amputee	80809
8	Square nut high M8	12056
9	Support pad leg support amputee dark grey	62335-60
	Support pad leg support Dartex	62335-63

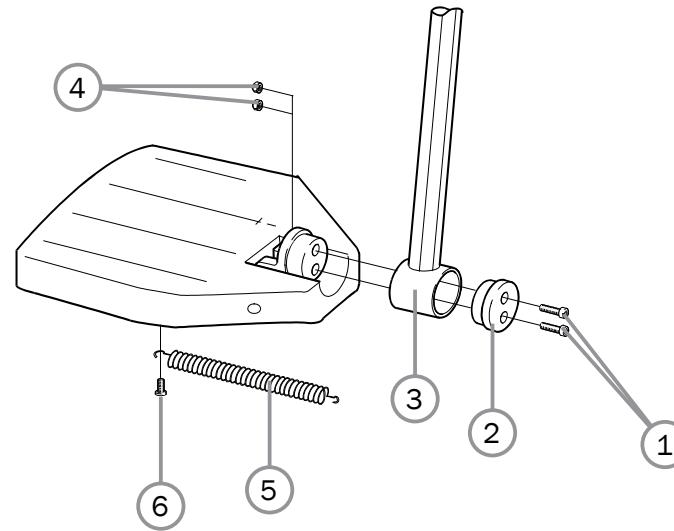
Pos.	Description	Item. No.
10	Cover leg support amputee Cross dark grey	62893-60
	Cover leg support amputee Cross Dartex	62893-63
11	Allen key 4 DIN 911	80141
12	Allen key 6 180 mm	82625
1-12	Amputee support compl Dark grey	25516-60
	Amputee support Cross compl Dartex	25516-63

Plaster leg support

Pos.	Description	Item. No.
1-9	Plaster leg support right	27417-1
	Plaster leg support left	27417-2
1	Plaster leg support	
2	Cushion Plaster leg support	82520
3	End stop	50287
4	Attachment leg support	24446-01
5	Nut M8	12006
6	Knob 60x22 M 8x32 black	80295
7	Knob 40 M6x17 black	80297
8	Holder for calf support	24421-01
9	Washer 6.4x17x3 DIN 7349	13052
4-9	Attachment leg support	24544-01



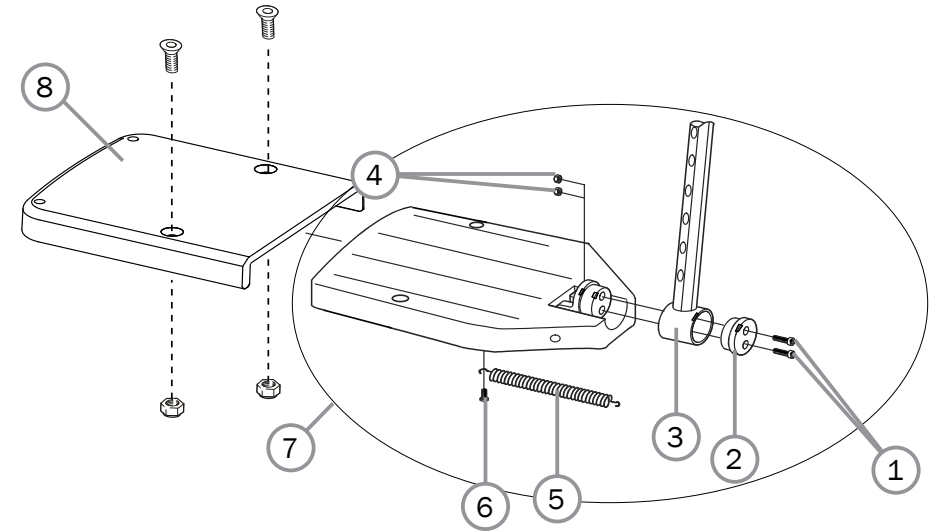
Foot support



Pos.	Description	Item. No.
1	Screw M6x25 MC6S 8.8 zink plated	11033
2	Locking block foot support	20324
3	Attachment tube foot support xshort c/c 15 mm black	82603
	Attachment tube foot support adj short	81999
	Attachment tube foot support adj	81997
	Attachment tube foot support adj long	81998
4	Locking nut M 6 zink plated	12017
5	Spring footplate Cross	80619
6	Screw K40x8 PT-KX PHIL WN 1442 zink plated	11344

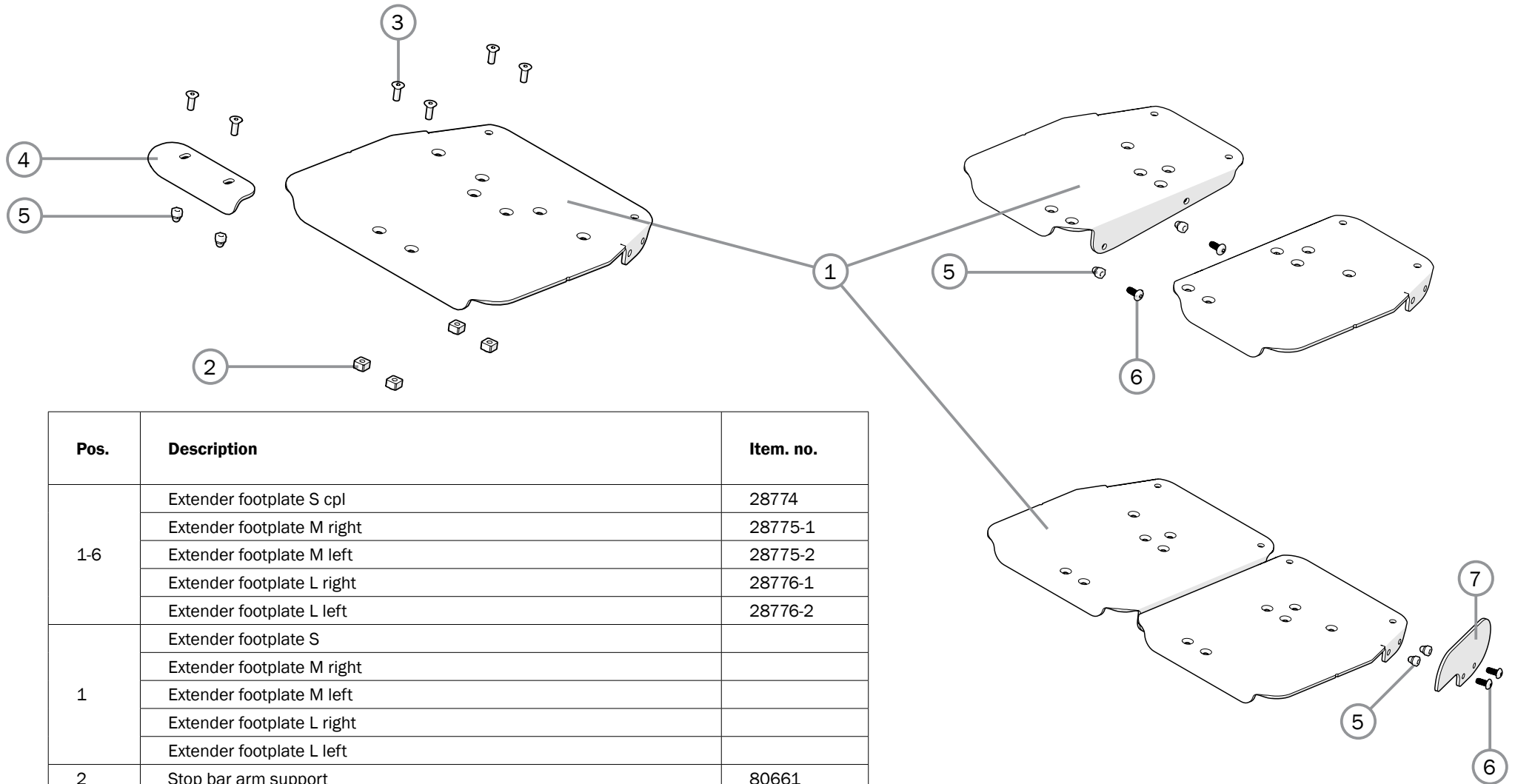
Foot support cont.

Pos.	Description	Item. No.
7	(Foot support with std attachment tube 25 cm, 81997")	
	Foot support standard 35 cm (14") right	25641-1
	Foot support standard 35 cm (14") left	25641-2
	Foot support standard 37.5 cm (15") right	25642-1
	Foot support standard 37.5 cm (15") left	25642-2
	Foot support standard 40 cm (16") right	25643-1
	Foot support standard 40 cm (16") left	25643-2
	Foot support standard 42.5 cm (17") right	25644-1
	Foot support standard 42.5 cm (17") left	25644-2
	Foot support standard 45 cm (18") right	25645-1
	Foot support standard 45 cm (18") left	25645-2
	Foot support standard 47.5 cm (19") right	25736-1
	Foot support standard 47.5 cm (19") left	25736-2
	Foot support standard 50 cm (20") right	25646-1
Foot support standard 50 cm (20") left	25646-2	
7	(Foot support with short attachmnet tube -8 cm, 81999)	
	Foot support short 35 cm (14") right	25653-1
	Foot support short 35 cm (14") left	25653-2
	Foot support short 37.5 cm (15") right	25654-1
	Foot support short 37.5 cm (15") left	25654-2
	Foot support short 40 cm (16") right	25655-1
	Foot support short 40 cm (16") left	25655-2
	Foot support short 42.5 cm (17") right	25656-1
	Foot support short 42.5 cm (17") left	25656-2
	Foot support short 45 cm (18") right	25657-1
	Foot support short 45 cm (18") left	25657-2
	Foot support short 47.5 cm (19") right	25738-1
	Foot support short 47.5 cm (19") left	25738-2
	Foot support short 50 cm (20") right	25658-1
Foot support short 50 cm (20") left	25658-2	



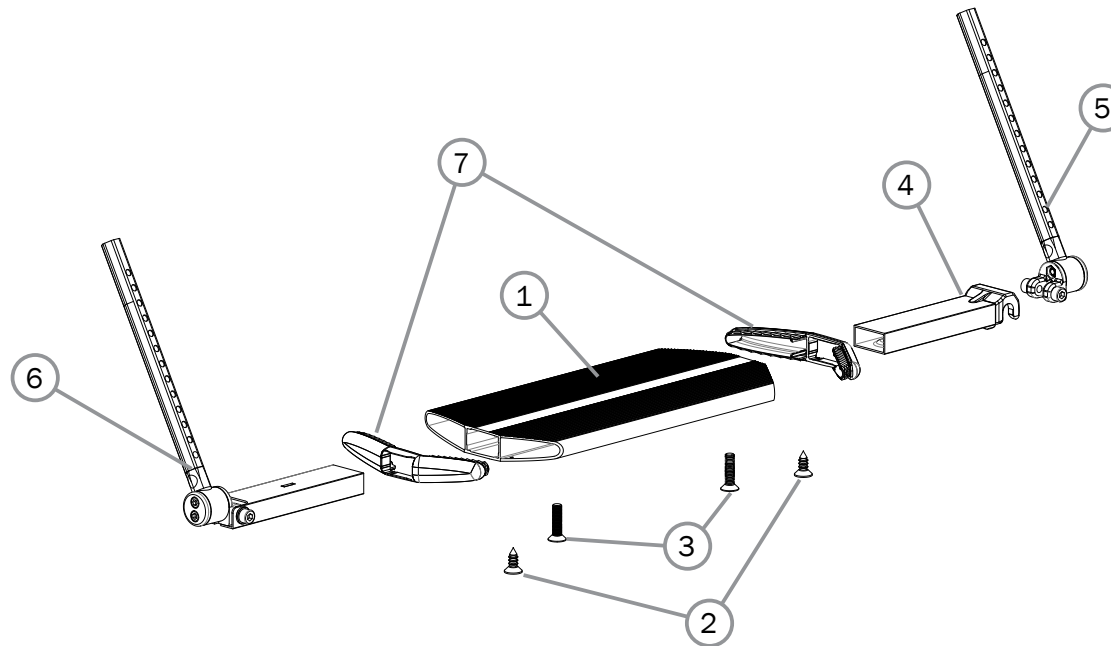
Pos.	Description	Item. No.
7	(Foot support with long attachment +10 cm, 81998)	
	Foot support long 35 cm (14") right	25647-1
	Foot support long 35 cm (14") left	25647-2
	Foot support long 37.5 cm (15") right	25648-1
	Foot support long 37.5 cm (15") left	25648-2
	Foot support long 40 cm (16") right	25649-1
	Foot support long 40 cm (16") left	25649-2
	Foot support long 42.5 cm (17") right	25650-1
	Foot support long 42.5 cm (17") left	25650-2
	Foot support long 45 cm (18") right	25651-1
	Foot support long 45 cm (18") left	25651-2
	Foot support long 47.5 cm (19") right	25737-1
	Foot support long 47.5 cm (19") left	25737-2
	Foot support long 50 cm (20") right	25652-1
Foot support long 50 cm (20") left	25652-2	
8	Foot support extended Cross XL 52.5-57.5	28443

Foot support cont.



Pos.	Description	Item. no.
1-6	Extender footplate S cpl	28774
	Extender footplate M right	28775-1
	Extender footplate M left	28775-2
	Extender footplate L right	28776-1
	Extender footplate L left	28776-2
1	Extender footplate S	
	Extender footplate M right	
	Extender footplate M left	
	Extender footplate L right	
	Extender footplate L left	
2	Stop bar arm support	80661
3	Screw M5x14 MF6S Zn8/P esloc	11237
4	Guide one-piece footplate	83421
5	Locking nut M 5 domed zink plated	12168
6	Screw M5x12 K6S 10.9 zink plated	11208
7	Side protection footplate	83420

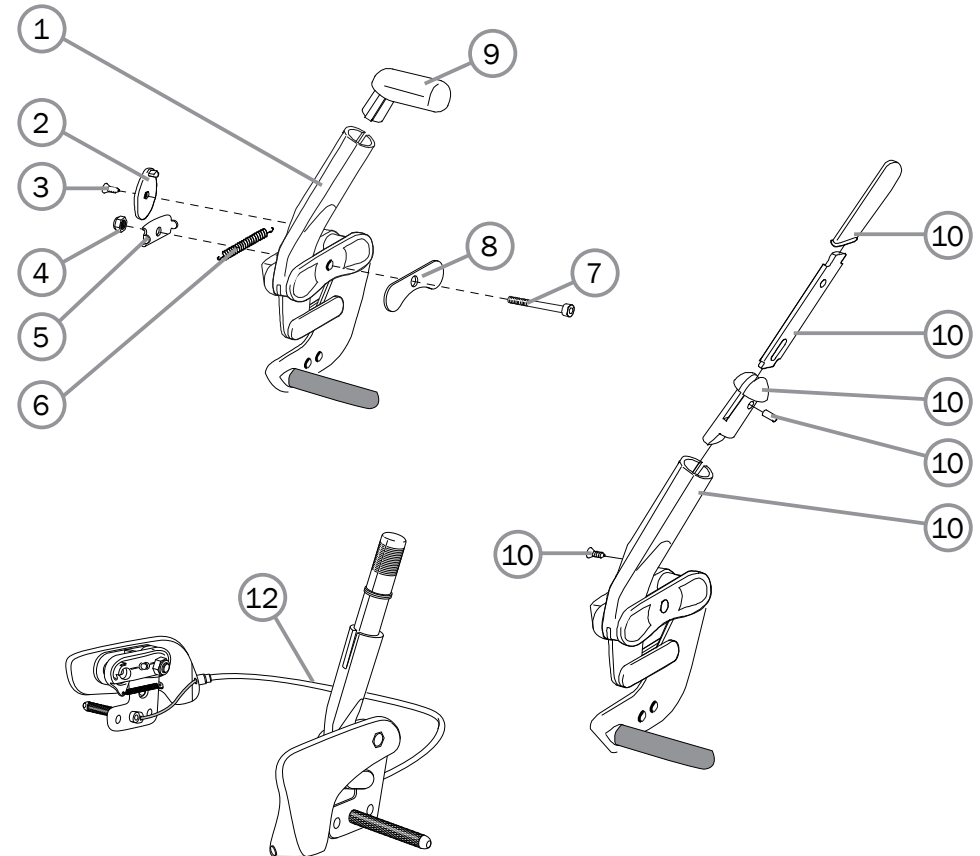
Foot support one piece



Pos.	Description	Item. No.
1-7	Foot support one piece 35-37.5 cm compl	25936
	Foot support one piece 40-50 cm compl	25937
	Foot support one piece 50-60 cm compl	26853
1	Foot support one piece 35-37.5 cm	81130
	Foot support one piece 40-50 cm	81131
	Foot support one piece 50-60 cm	81993
2	Screw B 6 3.5x 9.5 FXS black	11384
3	Screw M 5x 20 MF6S black	11526
4	Locking joint for foot support compl 35-37.5 cm	25931
	Locking joint for foot support comp 40-50 cm, 50-60 cm	25932
5	Attachment tube foot support le	25934
6	Attachment tube foot support ri	25935
7	End caps foot support one piece	50830

User brakes

Pos.	Description	Item. No.
1-9	Brake with angled red handle right	27528-1
	Brake with angled red handle left	27528-2
2	Stop detail brake Cross mod new	50373
3	Screw B 6 3.5x 9.5 FXS black	11384
4	Locking nut M 6 zink plated	12017
5	Washer inner brake mod 3	82564
6	Spring for brake Cross	80796
7	Screw M 6x 50 MC6S zink plated	11433
8	Washer outer brake mod 3	82575
9	Plug for brake angled red	51012
10	Brake lever extension Cross compl	25515
1-8, 10	Brake Cross extended handle right	27530-1
	Brake Cross extended handle left	27530-2
11	Brake handle angled compl kit red	27574
	Brake handle angled compl kit black	25537
1-8, 11	Brake with angled black handle right	27532-1
	Brake with angled black handle left	27532-2
12	Single hand brake right	27531-1
	Single hand brake left	27531-2



Rear wheel (C5)

Pos.	Description	Item. No.
	20" Rear wheel	
	Rear wheel 20" C5 solid/without handrim excl axle	27541
	Rear wheel 20" C5 solid/alu grey excl axle	27542
	Rear wheel 20" C5 solid/cellular rubber excl axle	27543
	Rear wheel 20" C5 solid/plastic coated excl axle	27957
	Rear wheel 20" C5 solid/stainless steel excl axle	27544
	Rear wheel 20" C5 without tube, tyre, handrim, excl axle	27545
	Rear wheel 20" C5 solid tube/stainless	27683
	Rear wheel 20" C5 solid tube/cellular rubber	27684
	Rear wheel 20" C5 solid tube/plastic coated	27685
	Rear wheel 20" C5 solid tube without handrim excl axle	27686
	Rear wheel 20" C5 high pressure/alu excl axle	28474
	Rear wheel 20" C5 high pressure/cellular rubber excl axle	28475
	Rear wheel 20" C5 high pressure/plastic coated excl axle	28476
	Rear wheel 20" C5 high pressure/stainless steel excl axle	28477
	Rear wheel 20" C5 high pressure excl handrim and axle	28420
	Rear wheel 20" C5 matt hub high pressure/plastic coated excl axle	28479
	Rear wheel 20" C5 matt hub high pressure/stainless steel excl axle	28480
	Rear wheel 20" C5 matt hub high pressure/without handrim excl axle	28478
	Rear wheel 20" C5 matt hub high pressure/stainless steel	28482
	Rear wheel 20" C5 matt hub high pressure/without handrim excl axle	28481
	Rear wheel 20" C5 matt hub solid/wo handrim excl axle	28076
	Rear wheel 20" C5 matt hub solid/plastic coated excl axle	28077
	Rear wheel 20" C5 matt hub solid/stainless steel excl axle	28078
	Rear wheel 20" C5 matt hub wo tyre/tube handrim excl axle	28079

Pos.	Description	Item. No.
	22" Rear wheel	
	Rear wheel 22" C5 high pressure/without handrim excl axle	27546
	Rear wheel 22" C5 high pressure/alu excl axle	27547
	Rear wheel 22" C5 high pressure handrim cellular rubber excl axle	27548
	Rear wheel 22" C5 high pressure/plastic coated excl axle	27549
	Rear wheel 22" C5 high pressure/stainless steel excl axle	27550
	Rear wheel 22" C5 solid excl axle	27551
	Rear wheel 22" C5 solid/alu excl axle	27552
	Rear wheel 22" C5 solid/cellular rubber excl axle	27553
	Rear wheel 22" C5 solid/plastic coated excl axle	27554
	Rear wheel 22" C5 solid/stainless steel excl axle	27555
	Rear wheel 22" C5 without tube, tyre, handrim excl axle	27556
1	Rear wheel 22" C5 solid tube/stainless	27687
	Rear wheel 22" C5 solid tube/cellular rubber	27688
	Rear wheel 22" C5 solid tube/plastic coated	27689
	Rear wheel 22" C5 solid tube without handrim excl axle	27690
	Rear wheel 22" C5 matt hub high pressure/wo handrim excl axle	28080
	Rear wheel 22" C5 matt hub high pressure/plastic coated excl axle	28081
	Rear wheel 22" C5 matt hub high pressure/stainless excl axle	28082
	Rear wheel 22" C5 matt hub solid/without handrim excl axle	28083
	Rear wheel 22" C5 matt hub solid/plastic coated excl axle	28084
	Rear wheel 22" C5 matt hub solid/stainless excl axle	28085
	Rear wheel 22" C5 matt hub without tyre/tube handrim excl axle	28086

Rear wheel cont. (C5)

Pos.	Description	Item. No.
1	24" Rear wheel	
	Rear wheel 24 C5 high pressure without handrim black excl axle	28860
	Rear wheel 24 C5 high pressure/alu black excl axle	28861
	Rear wheel 24 C5 high pressure/cellular rubber black excl axle	28862
	Rear wheel 24 C5 high pressure/plastic coated black excl axle	28863
	Rear wheel 24 C5 high pressure/stainless black excl axle	28864
	Rear wheel 24 C5 high pressure/titanic black excl axle	28865
	Rear wheel 24 high pressure alu Marathon Plus excl axle	28603
	Rear wheel 24 high pressure cellular rubber Marathon Plus excl axle	28604
	Rear wheel 24 high pressure plastic coated Marathon Plus excl axle	28605
	Rear wheel 24 high pressure stainless steel Marathon plus excl axle	28606
	Rear wheel 24 high pressure titanic Marathon Plus excl axle	28607
	Rear wheel 24 high pressure without handrim Marathon Plus excl axle	28608
	Rear wheel 24" C5 solid/without handrim excl axle	27563
	Rear wheel 24" C5 solid/alu excl axle	27564
	Rear wheel 24" C5 solid/cellular rubber excl axle	27565
	Rear wheel 24" C5 solid/plastic coated excl axle	27566
	Rear wheel 24" C5 solid/stainless steel excl axle	28844
	Rear wheel 24" C5 solid/titanic excl axle	27568
	Rear wheel 24" C5 without tube, tyre, handrim excl axle	27569
	Rear wheel 24" C5 solid tube/stainless	27691F
	Rear wheel 24" C5 solid tube/cellular rubber	27692
	Rear wheel 24" C5 solid tube/plastic coated	27693
	Rear wheel 24" C5 solid tube without handrim excl axle	27694
	Rear wheel 24" C5 carbon/plastic coated excl axle	82555
	Rear wheel 24" C5 carbon/titanic excl axle	82534
	Rear wheel 24" C5 matt hub high pressure/wo handrim excl axle	28087
	Rear wheel 24" C5 matt hub high pressure/plastic ctd excl axle	28088

Pos.	Description	Item. No.
1	Rear wheel 24" C5 matt hub high pressure/stainless excl axle	28089
	Rear wheel 24" C5 matt hub solid/without handrim excl axle	28090
	Rear wheel 24" C5 matt hub solid/plastic coated excl axle	28091
	Rear wheel 24" C5 matt hub solid/stainless excl axle	28092
	Rear wheel 24" C5 matt hub without tyre/tube handrim excl axle	28093
	Rear wheel 24" carbon/titan excl axle	28095
	26" Rear wheel	
	Rear wheel 26" C5 high pressure	27570
	Rear wheel 26" C5 high pressure	27572
	Rear wheel 26" C5 semipneumatic	27992
	Rear wheel 26" C5 matt hub high pressure/stainless excl axle	28094
	Axle	
	QR axle D12 std steel hub Cross, Prio, Crissy	82483
	QR axle D12 light weight wheel	82581

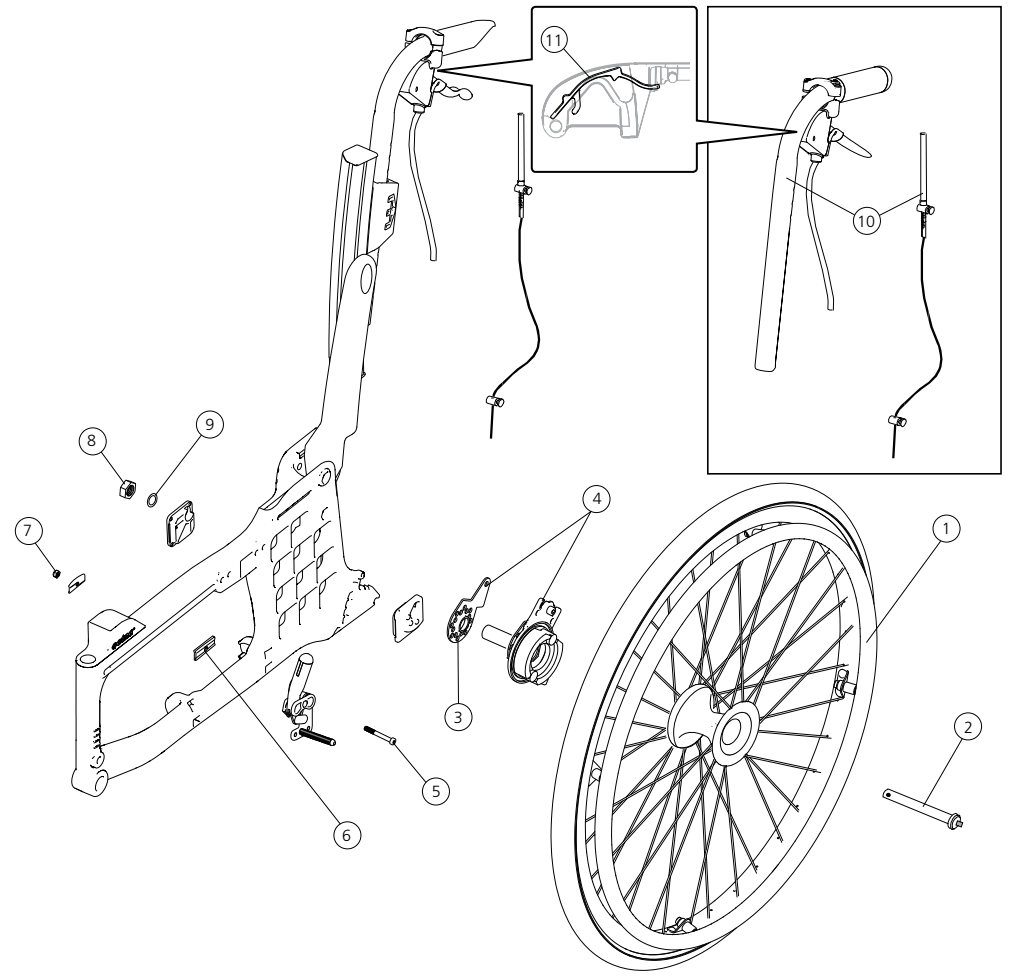
Rear wheel 20", 22", 24", 25" (C6, Maxx)

Pos.	Description	Art. No.
	20" Rear wheel	
	Rear wheel 20 C6 high pressure al Speedlite excl axle	83908
	Rear wheel 20 C6 high pressure stainl Speedlite excl axle	83909
	Rear wheel 20 C6 high pressure plastic coated Speedlite excl axle	83884
	Rear wheel 20 C6 solid al excl axle	83885
	Rear wheel 20 C6 solid stainl excl axle	83910
	Rear wheel 20 C6 solid plastic coated excl axle	83911
	22" Rear wheel	
	Rear wheel 22 C6 high pressure al Speedlite excl axle	83880
	Rear wheel 22 C6 high pressure stainl Speedlite excl axle	83906
	Rear wheel 22 C6 high pressure plastic coated Speedlite excl axle	83881
	Rear wheel 22 C6 solid al excl axle	83882
	Rear wheel 22 C6 solid stainl excl axle	83907
	Rear wheel 22 C6 solid plastic coated excl axle	83883

Pos.	Description	Art. No.
	24" Rear wheel	
	Rear wheel 24 C6 high pressure al Speedlite excl axle	83873
	Rear wheel 24 C6 high pressure stainl Speedlite excl axle	83874
	Rear wheel 24 C6 high pressure plastic coated Speedlite excl axle	83875
	Rear wheel 24 C6 solid al excl axle	83876
	Rear wheel 24 C6 solid stainl excl axle	83877
	Rear wheel 24 C6 solid plastic coated excl axle	83878
	25" Rear Wheel	
	Rear Wheel 25 Maxx high pressure hard al Trailblazer ri excl axle	28964-1
	Rear Wheel 25 Maxx high pressure hard al Trailblazer le excl axle	28964-2
	Rear Wheel 25 Maxx high pressure plastad Trailblazer ri excl axle	28965-1
	Rear Wheel 25 Maxx high pressure plastad Trailblazer le excl axle	28965-2
	Axle	
2	QR axle D12,7x110	83872

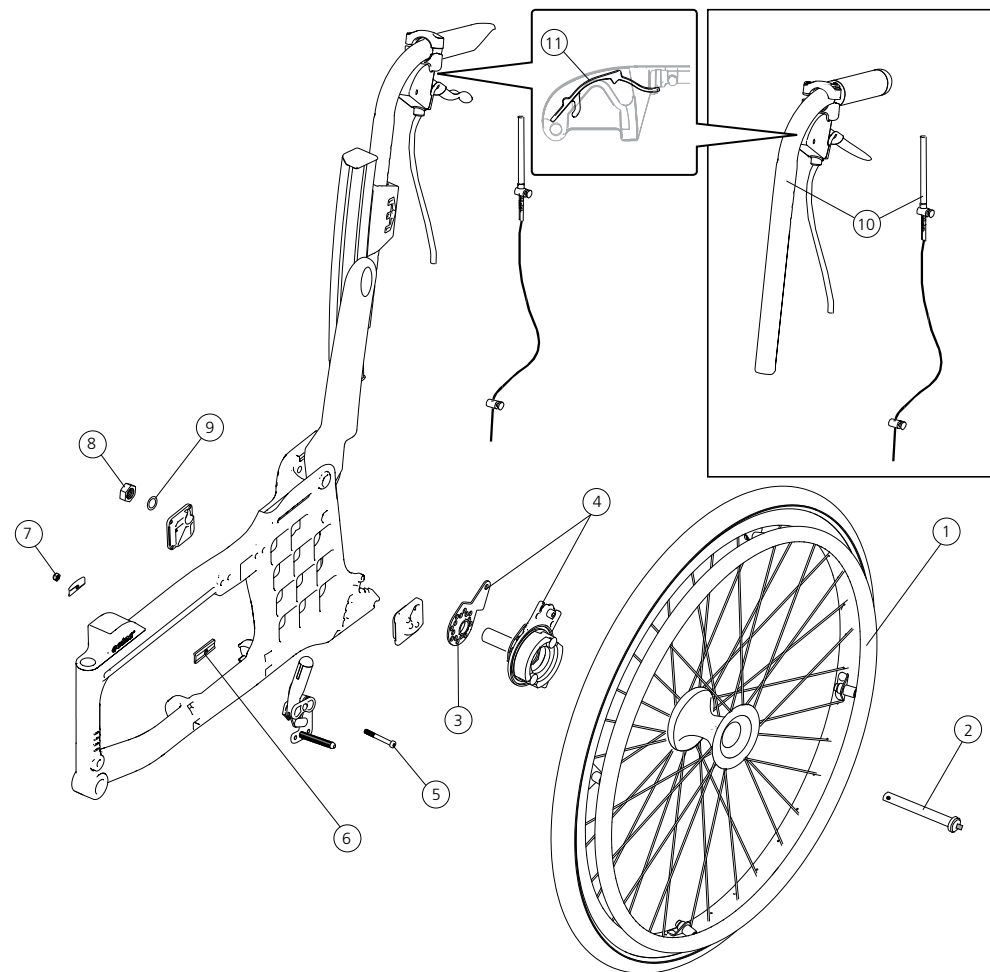
Rear wheel with attendant brake

Pos.	Description	Item. No.
	20" Rear wheel	
	Rear wheel 20" drum brake solid handrim aluminium	81337
	Rear wheel 20" drum brake solid inner tube/stainless	27695
	Rear wheel 20" drum brake solid inner tube/cellular rubber	27696
	Rear wheel 20" drum brake solid inner tube/plastic coated	27697
	Rear wheel 20" drum brake solid inner tube wo handrim excl axle	27698
	Rear wheel 20" drum brake matt hub solid/stainless	28097
	Rear wheel 20" drum brake matt hub solid/wo handrim excl axle	28096
	22" Rear wheel	
	Rear wheel 22" drum brake high pressure handrim aluminium	81342
	Rear wheel 22" drum brake solid handrim aluminium	81339
	Rear wheel 22" drum brake solid handrim plastic-coated	81340
1	Rear wheel 22" drum brake solid handrim stainless	81341
	Rear wheel 22" drum brake high pressure handrim plastic coated	81343
	Rear wheel 22" drum brake tigh pressure handrim stainless	81344
	Rear wheel 22" drum brake solid inner tube/stainless	27255
	Rear wheel 22" drum brake solid inner tube/cellular rubber	27699
	Rear wheel 22" drum brake solid inner tube/plastic coated	27700
	Rear wheel 22" drum brake solid inner tube wo handrim excl axle	27701
	Rear wheel 22" drum brake matt hub solid/wo handrim excl axle	28100
	Rear wheel 22" drum brake matt hub solid/plastic coated	28101
	Rear wheel 22" drum brake matt hub solid/stainless	28102
	Rear wheel 22" drum brake matt hub high pressure/plastic coated	28103
	Rear wheel 22" drum brake matt hub high pressure/stainless	28104
	Rear wheel 22" drum brake matt hub high pr/wo handrim excl axle	28105



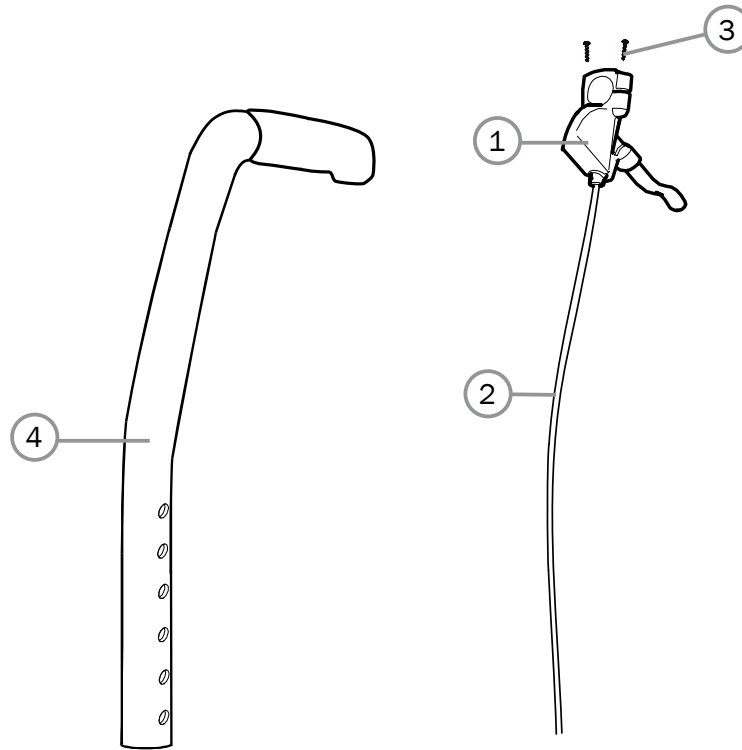
Rear wheel with attendant brake cont.

Pos.	Description	Item. No.
1	24" Rear wheel	
	Rear wheel 24" drum brake high pressure handrim aluminium	81349
	Rear wheel 24" drum brake solid handrim aluminium	81346
	Rear wheel 24" drum brake solid handrim plastic-coated	81347
	Rear wheel 24" drum brake solid handrim stainless	81348
	Rear wheel 24" drum brake high pressure handrim plastic-coated	81350
	Rear wheel 24" drum brake high pressure handrim stainless	81351
	Rear wheel 24" drum brake solid inner tube/stainless	27256
	Rear wheel 24" drum brake solid inner tube/cellular rubber	27702
	Rear wheel 24" drum brake solid inner tube/plastic coated	27703
	Rear wheel 24" drum brake solid inner tube wo handrim excl axle	27704
	Rear wheel 24" drum brake matt hub solid/wo handrim excl axle	28106
	Rear wheel 24" drum brake matt hub solid/plastic-coated	28107
	Rear wheel 24" drum brake matt hub solid/stainless	28108
	Rear wheel 24" drum brake matt hub high pr/plastic-coated	28109
	Rear wheel 24" drum brake matt hub high pressure/stainless	28110
	Rear wheel 24" db matt hub high pressure/wo handrim excl axle	28111
2-9	26" Rear wheel	
	Rear wheel 26" DB solid sealed handrim stainless	28112
2-9	Attachment kit drum brake	27627
2-9, 10	Drum brake C5 without rearw	27890
	Drum brake C5 XL without rearw	27891
2	Qr axle drum brake	81325
3	Carrier drum brake	82566
4	Drum brake Cross 5 right	27590
	Drum brake Cross 5 left	27591
10	Push handle height adj Cross opening grip 100 mm	27625-01
	Push handle height adj Cross XL opening grip 100 mm	27626-01



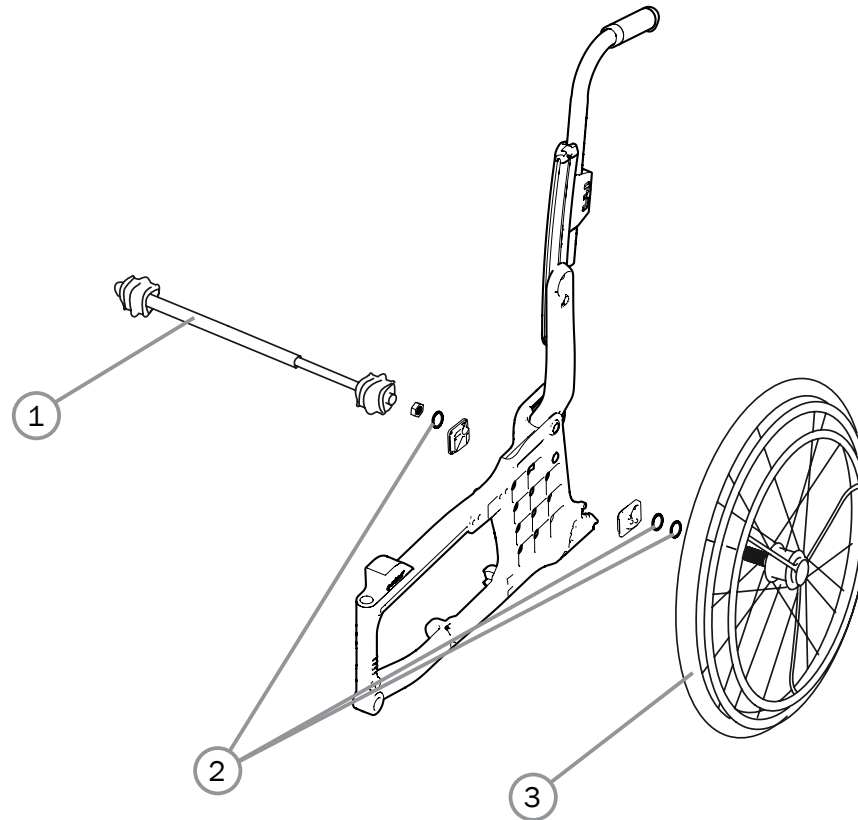
Pos.	Description	Item. No.
11	Wire lock brake handle 100 mm 10 pcs	82854
	Wire lock brake handle 75 mm 10 pcs	82855

Attendant brake for fixed back support with fixed push handles



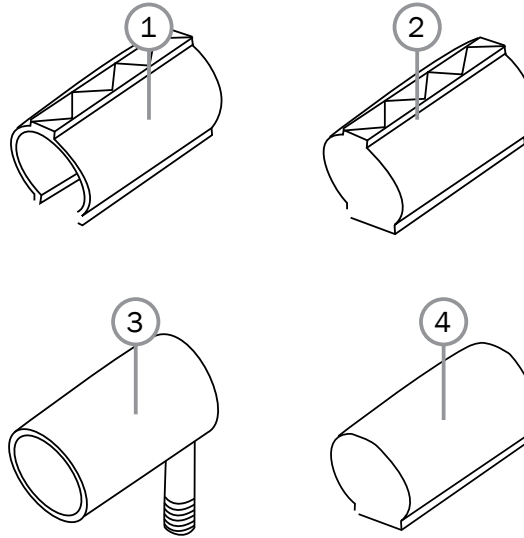
Pos.	Description	Item. No.
1	Brake handle drum brake	81804
2	Wire kit drum brake Cross Twin Tran	81805
3	Screw DG 5x20 WN 1552	11504
4	Back support tube with push handle drum brake	27345-01

Single hand drive



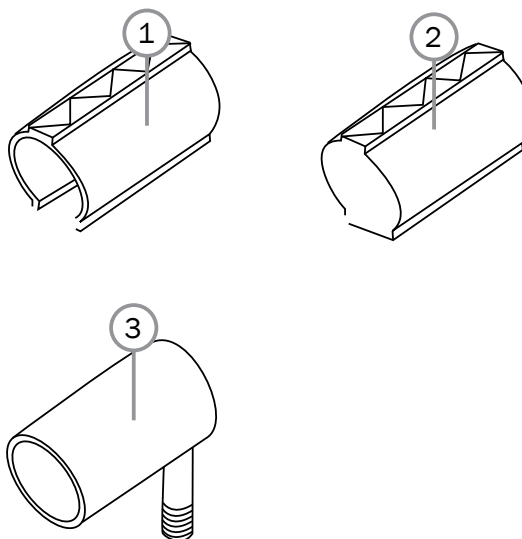
Pos.	Description	Item. No.
1	Telescoping shaft single hand drive Cross 35-37.5 cm compl	27317
	Telescoping shaft single hand drive compl Cross 40-42.5 cm/Next 35-37.5 cm	27318
	Telescoping shaft single hand drive compl Cross 45-50 cm/Next 40-45 cm	27319
	Telescoping shaft single hand drive compl Cross 52.5-57.5 cm/Next 47.5-55 cm	27320
2-3	Single-hand drive 20"Cross/Cross XL compl	26534
	Single-hand drive 22"Cross/Cross XL compl	26533
	Single-hand drive 24"Cross/Cross XL compl	26522

Tyre and inner tube (C5)



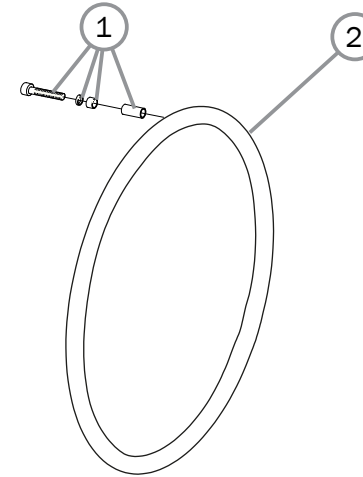
Pos.	Description	Item. No
1	Tyre 22"x1" pneumatic high pressure	81125
	Tyre 24" high pressure black	83329
	Tyre 24" Schwalbe Marathon plus	83301
	Tyre 24"x1" high pressure for carbon	82907
2	Tyre 20" solid	80787
	Tyre 22" solid grey	81384
	Tyre 24" solid grey	80768
3	Innertube 20" pneumatic	80132
	Innertube 22" pneumatic high pressure	80136
	Innertube 24" pneumatic high pressure	80560
	Tube 24"x1" high pressure for carbon	82908
4	Innertube 20" massive	82706
	Innertube 22" massive	82705
	Innertube 24" massive	82704
5	Tyre flaps 24" for carbon	82909
	Tyre flaps 24"	97044

Tyre and inner tube (C6, Maxx)



Pos.	Description	Art. No.
1	Tyre 20x1 (25-451) Speedlite black	83897
	Tyre 22x1 (25-501) Speedlite black	83898
	Tyre 24x1 (25-540) Speedlite black	83899
	Tyre 25x1 (25-559) Trailblazer black	83900
2	Tyre 20x1 3/8 (37-451) solid black	83347
	Tyre 22x1 3/8 (37-501) solid black	83348
	Tyre 24x1 1/4 (32-540) solid black	83349
3	Inner tube 20x1 (25-451) high pressure	82199
	Inner tube 22x1 (25-501) high pressure	80136
	Inner tube 24x1 (25-540) high pressure	80560
	Inner tube 25x1 (25-559) high pressure	83904

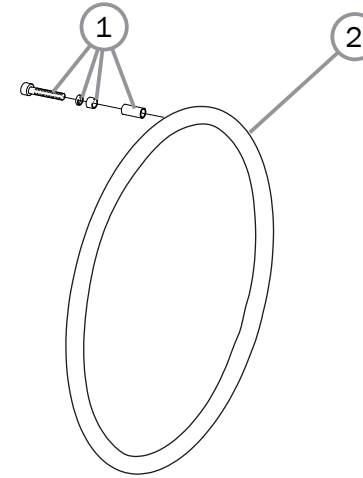
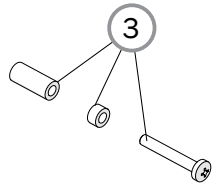
Handrims C5



Pos.	Description	Item. No.
1	Assembly kit handrim 4m plas. Plastic handrim	24514
	Assembly kit handrim 4m	28113
2	20" Rear wheel	
	Handrim D465 wheel 20" alu	81109
	Handrim D465 wheel 20" vinyl	81229
	Handrim D425 wheel 20" cellular, clip mounted	24442
	Handrim D465 wheel 20" stainless	21034
	Handrim D465 wheel 20" stainless	83006
	Handrim D465 wheel 20" vinyl	83010
	22" Rear wheel	
	Handrim D500 wheel 22" alu	25636
	Handrim D500 wheel 22" stainless	24395
	Handrim D500 wheel 22" vinyl	80895
	Handrim D469 wheel 22" cellular, clip mounted	24551
	Handrim D500 wheel 22" stainless	83007
	Handrim D500 wheel 22" vinyl	83011

Pos.	Description	Item. No.
2	24" Rear wheel	
	Handrim D540 wheel 24" alu	25181
	Handrim D540 wheel 24" stainless	24023
	Handrim D540 wheel 24" vinyl black matte	82998
	Handrim D540 wheel 24" cellular clip mounted	80800
	Handrim D540 wheel 24" stainless	83008
	Handrim D540 wheel 24" vinyl with sealing	83012
	26" Rear wheel	
	Handrim D585 wheel 26" alu	81508
	Handrim D585 wheel 26" stainless	81510
	Handrim D585 wheel 26" stainless	83009

Handrim C6, Maxx

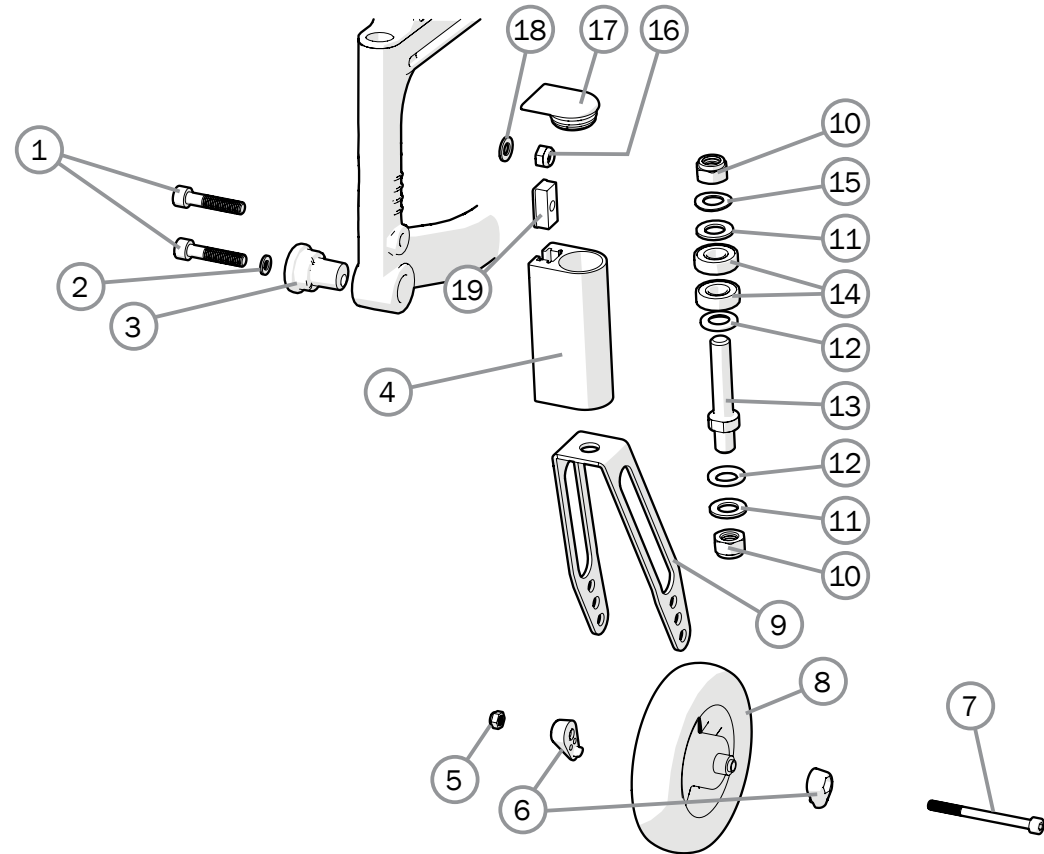


Pos.	Description	Art. No.
1	Assembly kit handrim 6 ap (not plastic coated)	83892
2	20" Rear wheel	
	Handrim 20" al 6 ap	83890
	Handrim 20" stainl 6 ap	83891
	Handrim 20" plastic coated 6 ap	83339
	22" Rear wheel	
	Handrim 22 al 6 ap	83888
	Handrim 22 stainl 6 ap	83889
	Handrim 22 plastic coated 6 ap	83338

Pos.	Description	Art. No.
2	24" Rear wheel	
	Handrim 24 al 6 ap	83886
	Handrim 24 stainl 6 ap	83887
	Handrim 24 plastic coated 6 ap	83335
	25" Rear wheel	
	Handrim 25 hard al 6 ap	83340
	Handrim 25 plastic coated 6 ap	83341
3	Assembly kit handrim 6m plastic handrim C6 Maxx	24081

Castors, front forks 57 mm hub width

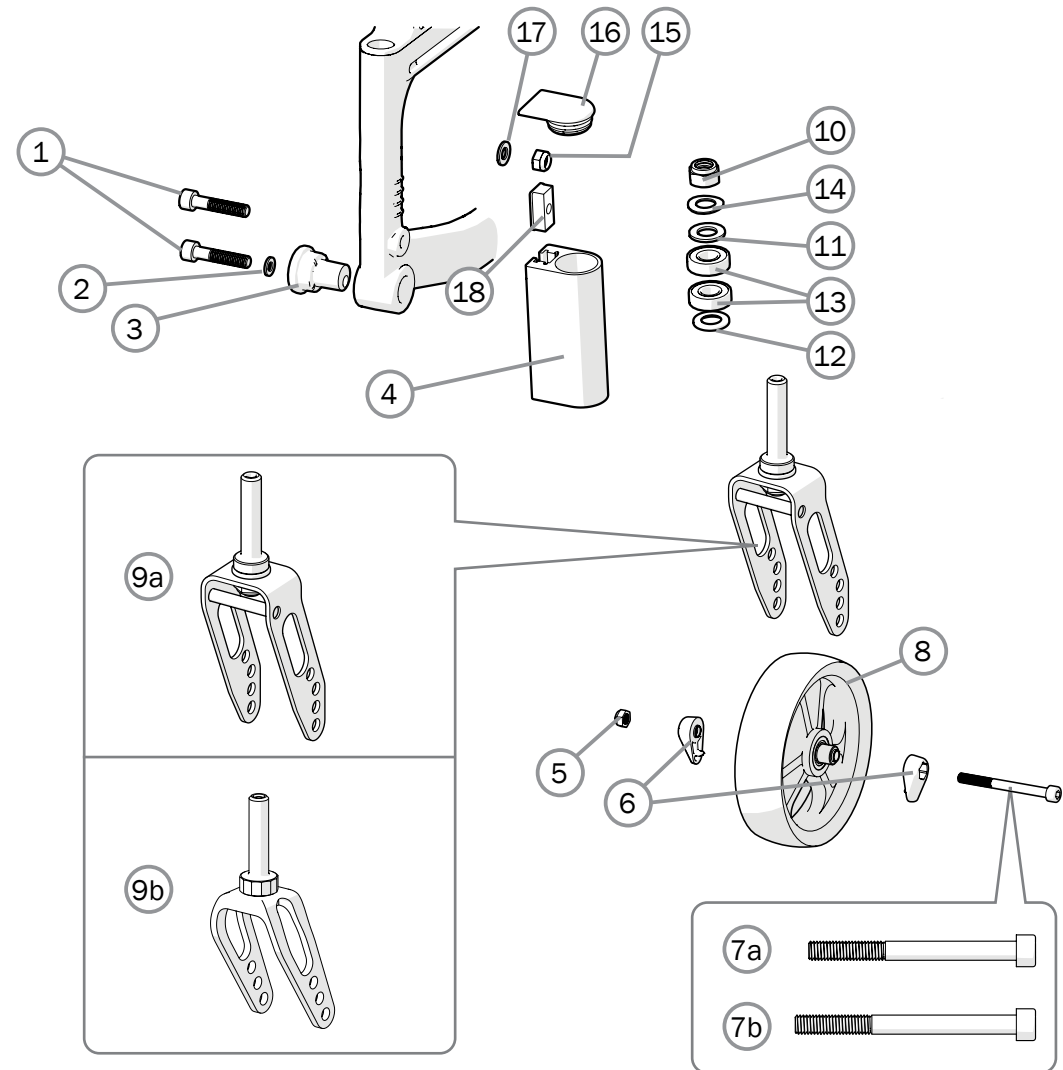
Pos.	Description	Item. No.
1	Screw M8x1x40 MC6S 12.9 Zn8/P4	11305
2	Washer	13092
3	Off center sleeve jagged	81994
1, 4, 10-12, 14-19	Front fork housing Cross	28147
	Front fork housing extended	25763
	Front fork housing low Cross	28633
5	Locking nut M 6 Zn8/P4	12035
6	Cover axle wheel	51284
	Cover axle wheel (50 pcs)	28966
7	Screw M6x75 MC6S 12.9 black chrome	11338
8	Castor	
5-8	Castor 4" 100x30 solid hard	27870
	Castor 5" 125x30 solid hard	27865
	Castor 5" 125x30 solid hard 2 pcs	27865-02
	Castor 5" 125x30 solid hard 10 pcs	27865-10
	Castor 6" 150x30 solid soft	27863
	Castor 6" 150x30 solid hard	27869
	Castor 6.5" 165x30 solid hard	27866
	Castor 5" 125x30 solid hard 2 pcs	27865-02
	Castor 5" 125x30 solid hard 10 pcs	27865-10
	Castor 8" 200x35 solid soft	27864
	Castor 8" 200x50 solid soft	27868
	9	Front fork Transit 8x2 steel axle
10	Locking nut 1/2 UNF low	12077
11	Washer BRB 13.5 Zn8/P4	13031
12	Washer 12.7x24x2.5	13032
13	Axle front fork steel	83128
9-13	Front fork short 4" castor	26238
	Front fork short steel axle	24677
	Front fork medium steel axle	24678
	Front fork short steel axle 4 mm	24834
	Front fork medium steel axle 4 mm	24835
14	Ball bearing 1/2 EE4 2RS	80244
15	Washer 13x24x1.2 DIN 137B zink plated	13040
16	Locking nut M 8x 1 DIN 985 zink plated	12051



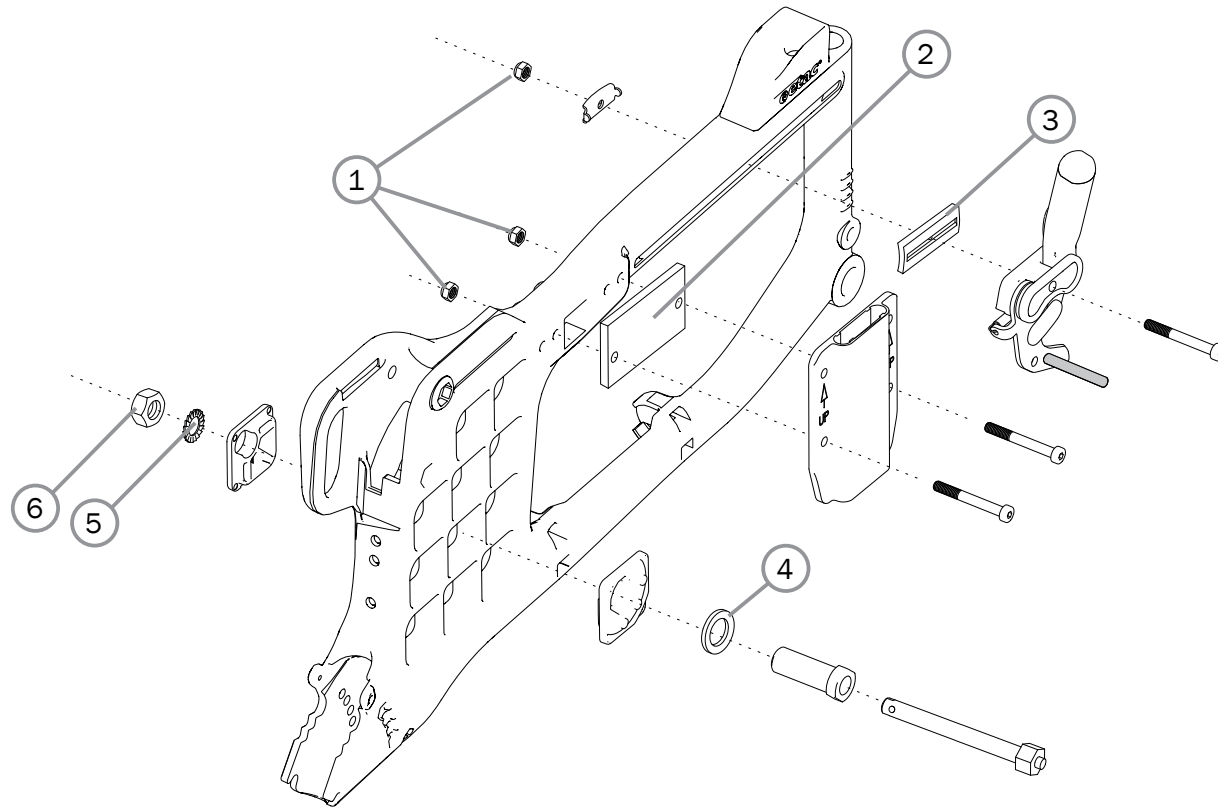
Pos.	Description	Item. No.
17	Plug front fork housing	51220
	Plug for extended front fork housing	50429
18	Washer BRB 8.4x 16x 1.6 zink plated	13001
19	T-nut	82922

Castors, front forks 45 mm hub width

Pos.	Description	Item. No.
1	Screw M8x1x40 MC6S 12.9 Zn8/P4	11305
2	Washer	13092
3	Off center sleeve jagged	81994
1, 4, 10-18	Front fork housing H142	28968
	Front fork housing Cross	28147
	Front fork housing extended	25763
	Front fork housing low Cross	28633
5	Locking nut M 6 Zn8/P4	12035
6	Cover axle wheel	51284
	Cover axle wheel (50 pcs)	28966
7a	Screw M6x60 MC6S Zn8/P4, for steel front fork	11408
7b	Screw M6x65 MC6S 12.9 ZnP4, for aluminium front fork	11236
8	Castor	
5-6, 8	Castor 4 100x34 cpl	28919
	Castor 5 125x34 cpl	28921
	Castor 6 150x34 cpl	28922
	Castor 8 200x38 cpl	28526
9a	Front fork steel S w axle	24038
	Front fork steel M w axle	28969
9b	Front fork alu XS w axle	28923
10	Locking nut 1/2 UNF low	12077
11	Washer BRB 13.5 Zn8/P4	13031
12	Washer 12.7x24x2.5	13032
13	Ball bearing 1/2 EE4 2RS	80244
14	Washer 13x24x1.2 DIN 137B zink plated	13040
15	Locking nut M 8x 1 DIN 985 zink plated	12051
16	Plug front fork housing	51220
	Plug for extended front fork housing	50429
17	Washer BRB 8.4x 16x 1.6 zink plated	13001
18	T-nut	82922

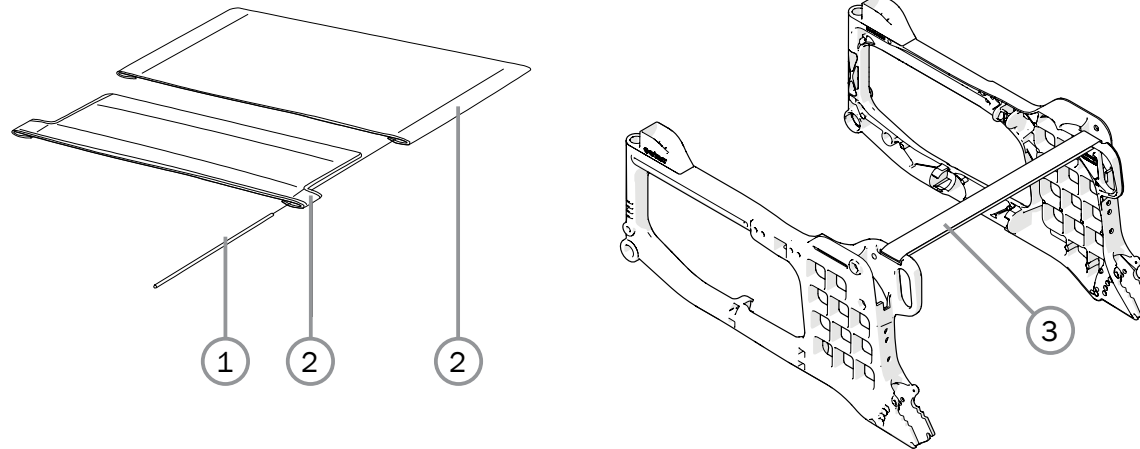


Widening kit



Pos.	Description	Item. No.
1-6	Width expansion kit 10 mm	27533
1	Locking nut M 6 black	12035
2	Spacer seat extension	51018
3	Adapter brake	51019
4	Spacer hub	20508
5	Schnorr washer 17x24x1.3	13084
6	Nut M16x1	12052

Seat upholstery/Seat extension back support 3A

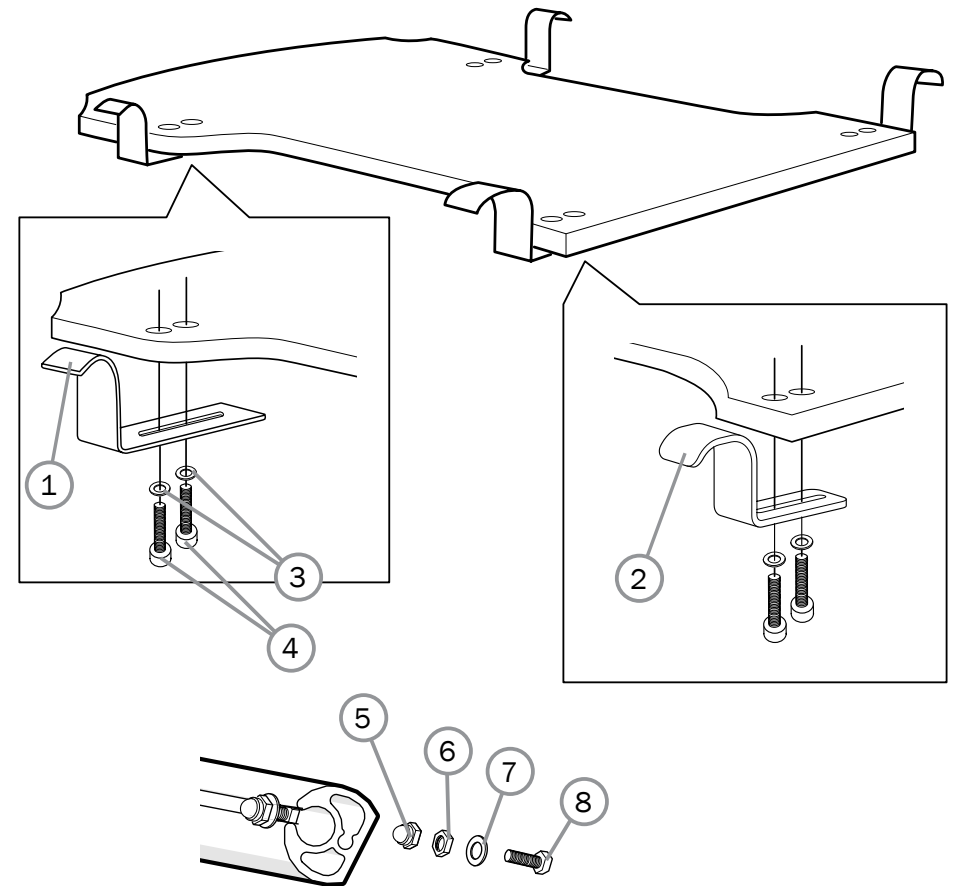


Pos.	Description	Item. No.
	For Cross back 3A	
1	Tension rod L381 short upholstery seat	80617
1-2	Upholstery seat Basic short Basic/Cross 3A 35 cm (14") black	62718-60
	Upholstery seat Basic short Basic/Cross 3A 37.5 cm (15") black	62719-60
	Upholstery seat Basic short Basic/Cross 3A 40 cm (16") black	62720-60
	Upholstery seat Basic short Basic/Cross 3A 42.5 cm (17") black	62721-60
	Upholstery seat Basic short Basic/Cross 3A 45 cm (18") black	62722-60
	Upholstery seat Basic short Basic/Cross 3A 47.5 cm (19")	62978-60
	Upholstery seat Basic short Basic/Cross 3A 50 cm (20") black	62979-60
	Upholstery seat Basic short Basic/Cross 3A 52.5 cm (21") black	62980-60

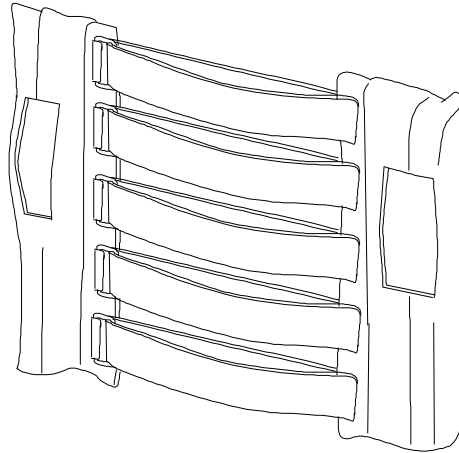
Pos.	Description	Item. No.	
1-2	Upholstery seat Basic long Basic/Cross 3A 35 cm (14") black	62728-60	
	Upholstery seat Basic long Basic/Cross 3A 37.5 cm (15") black	62729-60	
	Upholstery seat Basic long Basic/Cross 3A 40 cm (16") black	62730-60	
	Upholstery seat Basic long Basic/Cross 3A 42.5 cm (17") black	62731-60	
	Upholstery seat Basic long Basic/Cross 3A 45 cm (18") black	62732-60	
	Upholstery seat Basic long Basic/Cross 3A 47.5 cm (19") black	62984-60	
	Upholstery seat Basic long Basic/Cross 3A 50 cm (20") black	62985-60	
	Upholstery seat Basic long Basic/Cross 3A 52.5 cm (21") black	62986-60	
	3	Seat extender 35-40 cm	63291
		Seat extender 42,5-50 cm	63292
Seat extender 52,5-60 cm		63293	

Solid seat

Pos.	Description	Item. No.
1	Seat hook back ECS	26414-01
2	Seat hook front wide	83442
3	Washer BRB 5.3 zink plated	13017
4	Screw M5x18 MC6S 8.8 zink plated	11424
5	Domed not M4 zink plated	12068
6	Nut M4 M6M zink plated	12067
7	Washer 4.3x9x0.8 zink plated	13066
8	Screw M4x12 M6S A2	11707
1-8	Solid seat ECS 35-37.5 cm (14"-15") std compl	26720
	Solid seat ECS 40-42.5 cm (16"-17") std compl	26721
	Solid seat ECS 45-47.5 cm (18"-19") std compl	26722
	Solid seat ECS 50-52.5 cm (20"-21") std compl	26723
	Solid seat ECS 35-37.5 cm (14"-15") long compl	26725
	Solid seat ECS 40-42.5 cm (16"-17") long compl	26726
	Solid seat ECS 45-47.5 cm (18"-19") long compl	26727
	Solid seat ECS 50-52.5 cm (20"-21") long compl	26728

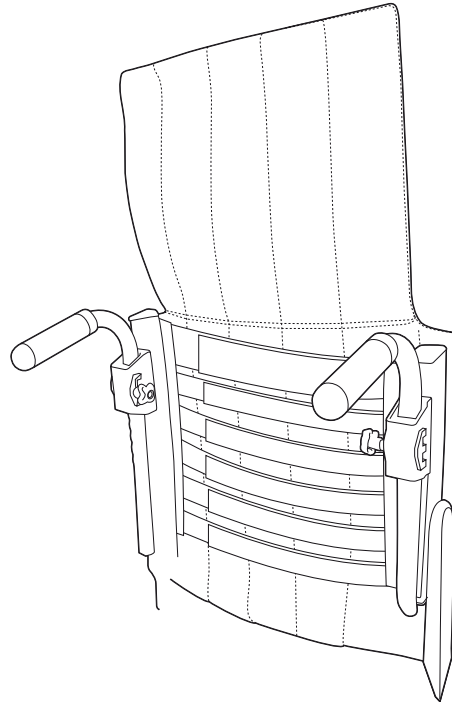


Back support upholstery back support model 2



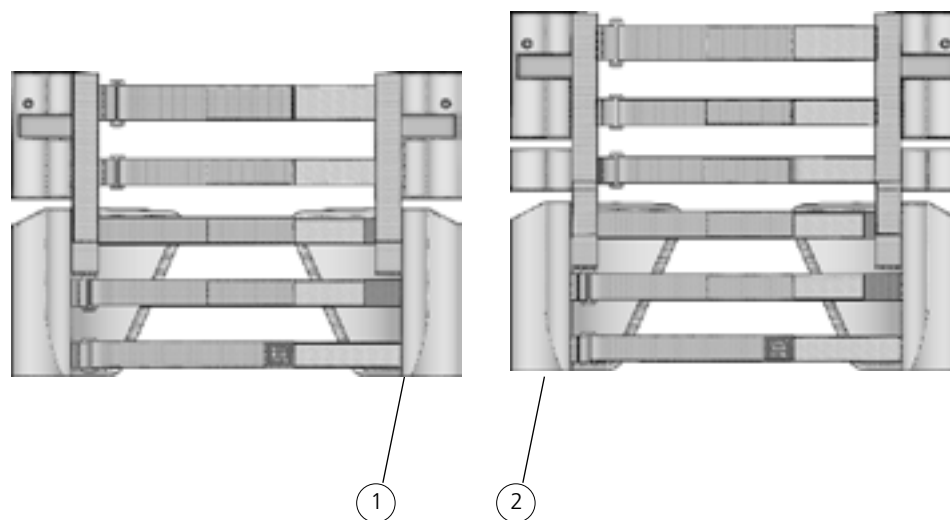
Pos.	Decription	Item. No.
1	Upholstery back 2C adj 35/37,5 cm	63317-60
	Upholstery back 2C adj 40/42,5 cm	63318-60
	Upholstery back 2C adj 45 cm	63319-60
	Upholstery back 2C adj 47,5/50 cm	63320-60
	Upholstery back 2C adj 52,5/55 cm	63321-60
	Upholstery back 2C adj high 35/37,5 cm	63327-60
	Upholstery back 2C adj high 40/42,5 cm	63328-60
	Upholstery back 2C adj high 45 cm	63329-60
	Upholstery back 2C adj high 47,5/50 cm	63330-60

Backsupport upholstery, back support 3A

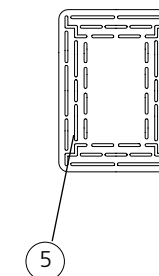
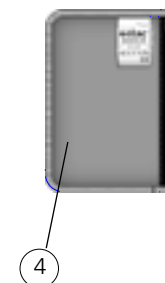


Pos.	Description	Item. No.
1	Upholstery back Cross adj mod 3 rh adj 35-40 cm (14"-16")	62953-60
	Upholstery back Cross adj mod 3 rh jb 42.5-50 cm (17"-20")	62954-60
	Upholstery back Cross adj mod 3 rh jb 52.5-60 cm (21"-24")	62955-60
	Tension rod L296 Cross back mod 3	82461
	Upholstery back Cross 3A adj high 35-40 cm (14"-16")	63014-60
	Upholstery back Cross 3A adj high 42.5-50 cm (17"-20")	63015-60
	Upholstery back Cross 3A adj high 52.5-60 cm (21"-24")	63016-60
	Tension rod L355 Cross 3A high back support	82586

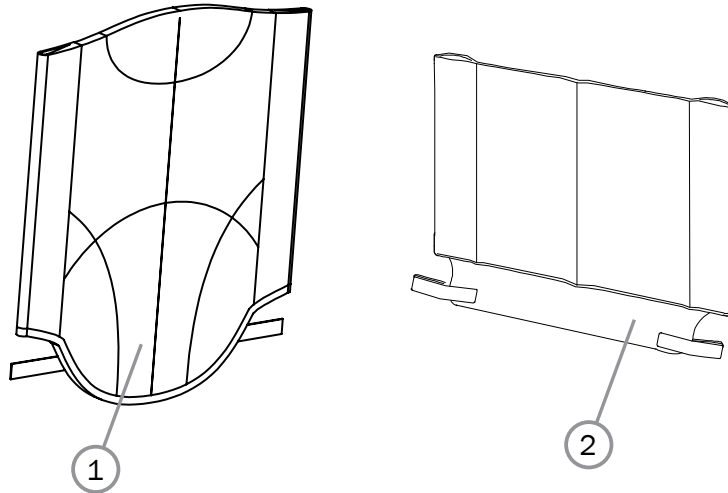
Back support upholstery, back support 2B



Pos.	Description	Item. No.
1	Upholstery back B2B adj 35-40 cm	63257-60
	Upholstery back B2B adj 42.5-50 cm	63258-60
	Upholstery back B2B adj 52.5-60 cm	63259-60
2	Upholstry back B2B high 35-40 cm	63260-60
	Upholstry back B2B high 42.5-50 cm	63261-60
	Upholstry back B2B high 52.5-60 cm	63262-60
3	Extension part back 2B 35-40 cm mod 2	63273
	Extension part back 2B 42,5-47,5 cm mod 2	63275
	Extension part back 2B 50-55 cm mod 2	63276
4	Pad size 20x15x1 cm	63272
5	Insert widening pad	51218
4-5	Widening pad	28637

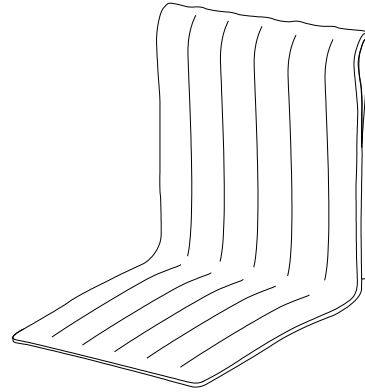


Back support upholstery, fixed back support



Pos.	Description	Item. No.
1	Upholstery back M100 fixed 37.5 cm	62534-70
	Upholstery back M100 fixed 40 cm	62535-70
	Upholstery back M100 fixed 42,5 cm	62536-70
	Upholstery back M100 fixed 45 cm	62537-70
	Upholstery back M100 fixed 47,5 cm	62538-70
	Upholstery back M100 fixed 50 cm	62539-70
2	Upholstery back M100/Twin adj 35-37,5 cm	62395-70
	Upholstery back M100/Twin adj 40-42,5 cm	62396-70
	Upholstery back M100/Twin adj 45 cm	62397-70
	Upholstery back M100/Twin adj 47,5-50 cm	62398-70

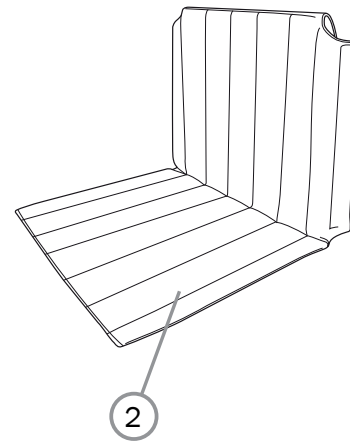
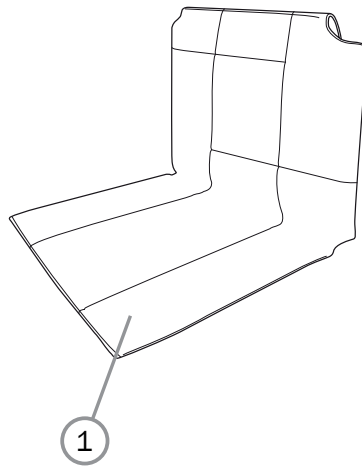
Back support cover, back support model 2



Pos.	Decription	Item. No.
	Cover back 35 cm (14") dark grey	62135-60
	Cover back 37.5 cm (15") dark grey	62387-60
	Cover back 40 cm (16") dark grey	62136-60
	Cover back 42,5 cm (17") dark grey	62388-60
	Cover back 45 cm (18") dark grey	62137-60
	Cover back 47.5 cm (19") dark grey	62389-60
	Cover back 50 cm (20") dark grey	62305-60
	Cover back 52.5 cm (21") dark grey	62432-60
	Cover back high 35 cm (14") dark grey	62478-60
	Cover back high 37,5 cm (15") dark grey	62479-60
	Cover back high 40 cm (16") dark grey	62469-60
	Cover back high 42,5 cm (17") dark grey	62470-60
	Cover back high 45 cm (18") dark grey	62471-60

Pos.	Decription	Item. No.
	Cover back high 47,5 cm (19") dark grey	62472-60
	Cover back high 50 cm (20") dark grey	62473-60
	Cover back high 52.5 cm (21") dark grey	62480-60
	Cover back Cr/Ne comf sth/high dark grey 35 cm (14")	62895-60
	Cover back Cr/Ne comf sth/high dark grey 37,5 cm (15")	62896-60
	Cover back Cr/Ne comf sth/high dark grey 40 cm (16")	62897-60
	Cover back Cr/Ne comf sth/high dark grey 42,5 cm (17")	62898-60
	Cover back Cr/Ne comf sth/high dark grey 45cm (18")	62899-60
	Cover back Cr/Ne comf sth/high dark grey 47.5 cm (19")	62900-60
	Cover back Cr/Ne comf sth/high dark grey 50 cm (20")	62901-60
	Cover back Cr/Ne Comf std/high 52.5 cm (21") dark grey	62902-60
	Adapter seat upholstery loop-loop (widened backrest +5 cm)	28484

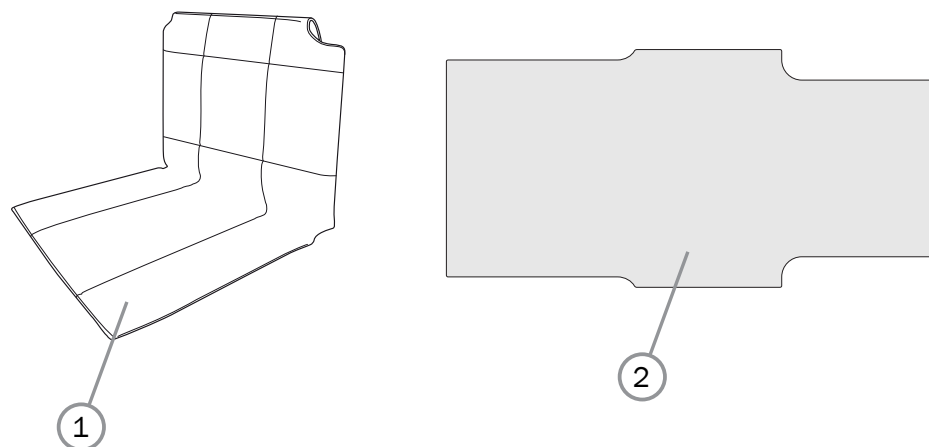
Back support cover, back support 3A



Pos.	Decription	Item. No.
1	Cover back Cross mod 3 35 cm (14") dark grey	62941-60
	Cover back Cross mod 3 37.5 cm (15") dark grey	62942-60
	Cover back Cross mod 3 40 cm (16") dark grey	62943-60
	Cover back Cross mod 3 42.5 cm (17") dark grey	62944-60
	Cover back Cross mod 3 45 cm (18") dark grey	62945-60
	Cover back Cross mod 3 47.5 cm (19") dark grey	62946-60
	Cover back Cross mod 3 50 cm (20") dark grey	62947-60
	Cover back Cross mod 3 52.5 cm (21") dark grey	62948-60

Pos.	Decription	Item. No.
2	Cover back Cross Comfort mod 3 35 cm (14") dark grey	62956-60
	Cover back Cross Comfort mod 3 37.5 cm (15") dark grey	62957-60
	Cover back Cross Comfort mod 3 40 cm (16") dark grey	62958-60
	Cover back Cross Comfort mod 3 42.5 cm (17") dark grey	62959-60
	Cover back Cross Comfort mod 3 45 cm (18") dark grey	62960-60
	Cover back Cross Comfort mod 3 47.5 cm (19") dark grey	62961-60
	Cover back Cross Comfort mod 3 50 cm (20") dark grey	62962-60
	Cover back Cross Comfort mod 3 52.5 cm (21") dark grey	62963-60

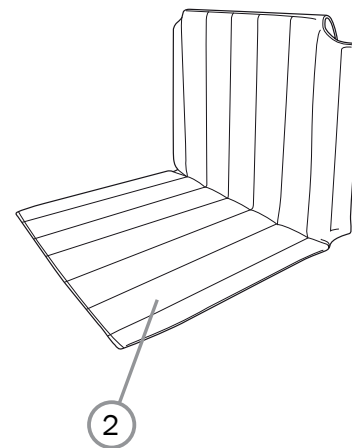
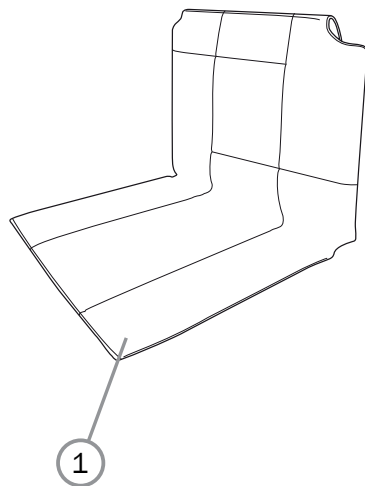
Back support cover, back support 3A cont.



Pos.	Decription	Item. No.
1	Cover back Cross mod 3 Tidy 35 cm (14")	63087-63
	Cover back Cross mod 3 Tidy 37,5 cm (15")	63088-63
	Cover back Cross mod 3 Tidy 40 cm (16")	63089-63
	Cover back Cross mod 3 Tidy 42,5 cm (17")	63090-63
	Cover back Cross mod 3 Tidy 45 cm (18")	63091-63
	Cover back Cross mod 3 Tidy 47,5 cm (19")	63092-63
	Cover back Cross mod 3 Tidy 50 cm (20")	63093-63
	Cover back Cross mod 3 Tidy 52,5 cm (21")	63094-63

Pos.	Decription	Item. No.
2	Foam cover upholstery Tidy mod 3 35 cm (14")	82877
	Foam cover upholstery Tidy mod 3 37.5 cm (15")	82878
	Foam cover upholstery Tidy mod 3 40 cm (16")	82879
	Foam cover upholstery Tidy mod 3 42.5 cm (17")	82880
	Foam cover upholstery Tidy mod 3 45 cm (18")	82881
	Foam cover upholstery Tidy mod 3 47.5 cm (19")	82882
	Foam cover upholstery Tidy mod 3 50 cm (20")	82883
	Foam cover upholstery Tidy mod 3 52.5 cm (21")	82884

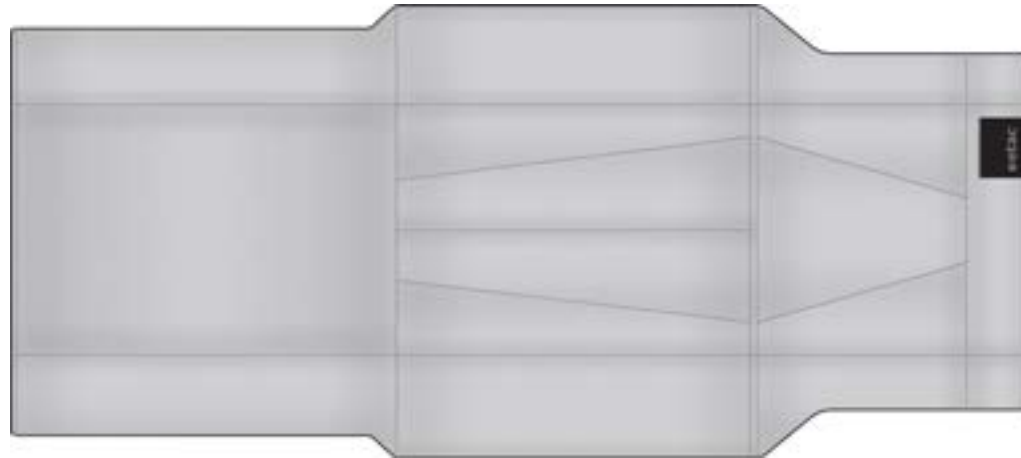
Back support cover 3A cont.



Pos.	Description	Item. No.
1	Cover back Cross 3A high 35 cm dark grey	63020-60
	Cover back Cross 3A high 37.5 cm dark grey	63021-60
	Cover back Cross 3A high 40 cm dark grey	63022-60
	Cover back Cross 3A high 42,5 cm dark grey	63023-60
	Cover back Cross 3A high 45 cm dark grey	63024-60
	Cover back Cross 3A high 47,5 cm dark grey	63025-60
	Cover back Cross 3A high 50 cm dark grey	63026-60
	Cover back Cross 3A high 52,5 cm dark grey	63027-60

Pos.	Description	Item. No.
2	Cover back Cross 3A comfort high 35 cm dark grey	63033-60
	Cover back Cross 3A comfort high 37,5 cm dark grey	63034-60
	Cover back Cross 3A comfort high 40 cm dark grey	63035-60
	Cover back Cross 3A comfort high 42,5 cm dark grey	63036-60
	Cover back Cross 3A comfort high 45 cm dark grey	63037-60
	Cover back Cross 3A comfort high 47,5 cm dark grey	63038-60
	Cover back Cross 3A comfort high 50 cm dark grey	63039-60
	Cover back Cross 3A comfort high 52,5 cm dark grey	63040-60

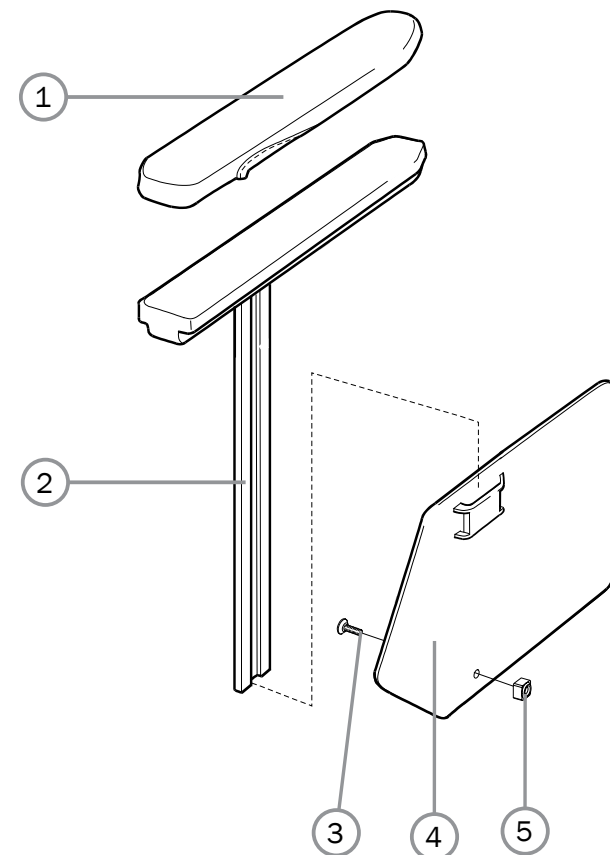
Back support cover, back support 2B



Pos.	Description	Item. No.
1	Cover back 3A/2B 35 cm Airmesh	63204-68
	Cover back 3A/2B 37.5 cm Airmesh	63205-68
	Cover back 3A/2B 40 cm Airmesh	63206-68
	Cover back 3A/2B 42.5 cm Airmesh	63207-68
	Cover back 3A/2B 45 cm Airmesh	63208-68
	Cover back 3A/2B 47.5 cm Airmesh	63209-68
	Cover back 3A/2B 50 cm Airmesh	63210-68
	Cover back 3A/2B 52.5 cm Airmesh	63211-68

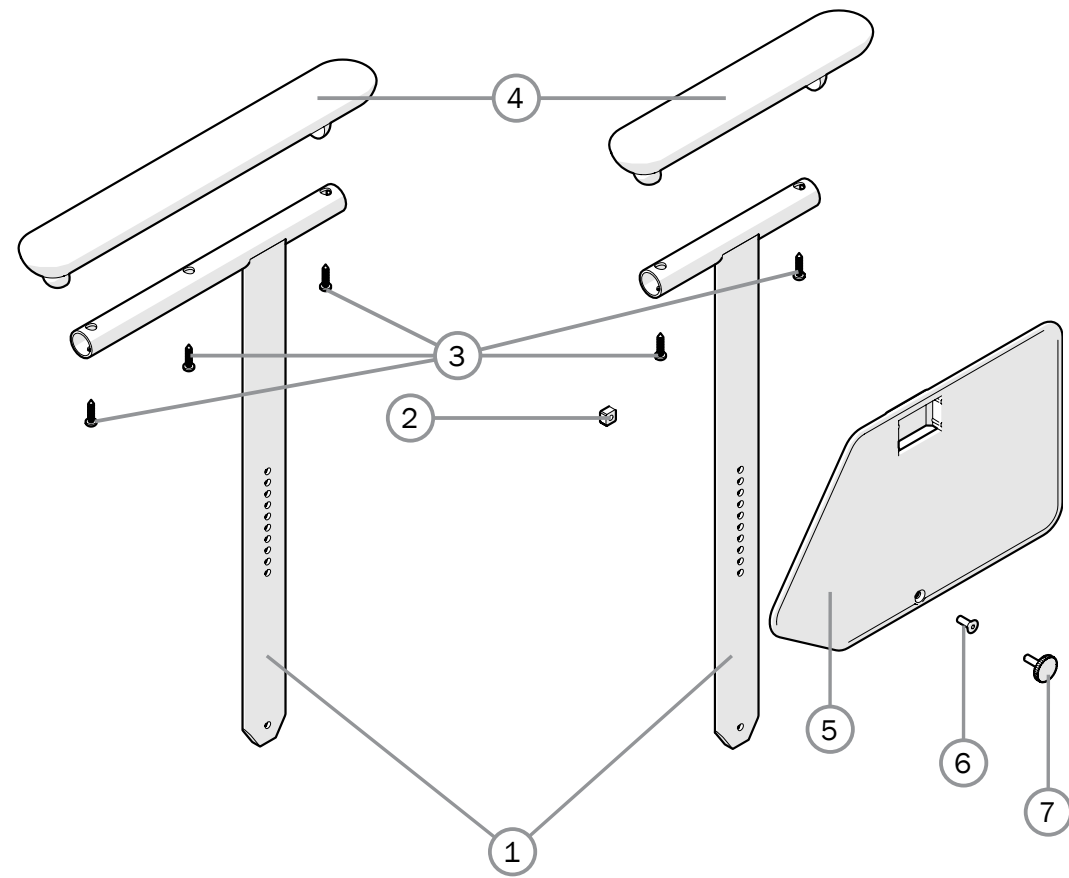
Arm support with solid arm support plate

Pos.	Description	Item. No.
1	Cover arm support short dark grey	62282-60
	Cover arm support long dark grey	62283-60
	Cover arm support Gel short compl dark grey	26240-60
	Cover arm support Gel long compl dark grey	26241-60
	Cover arm support short Dartex	62282-63
	Cover arm support long Dartex	62283-63
	Cover arm support Gel short compl Dartex	26240-63
	Cover arm support Gel long compl Dartex	26241-63
2-5	Arm support Cross short right L 25 cm	25172-1
	Arm support Cross short left L 25 cm	25172-2
	Arm support Cross long right L 38 cm	25173-1
	Arm support Cross long left L 38 cm	25173-2
3	Screw M 5x 14 MF6S 10.9 black	11237
4	Sideguard Cross/M100 nylon right	50316
	Sideguard Cross/M100 nylon left	50317
5	Stop bar for arm support	80661



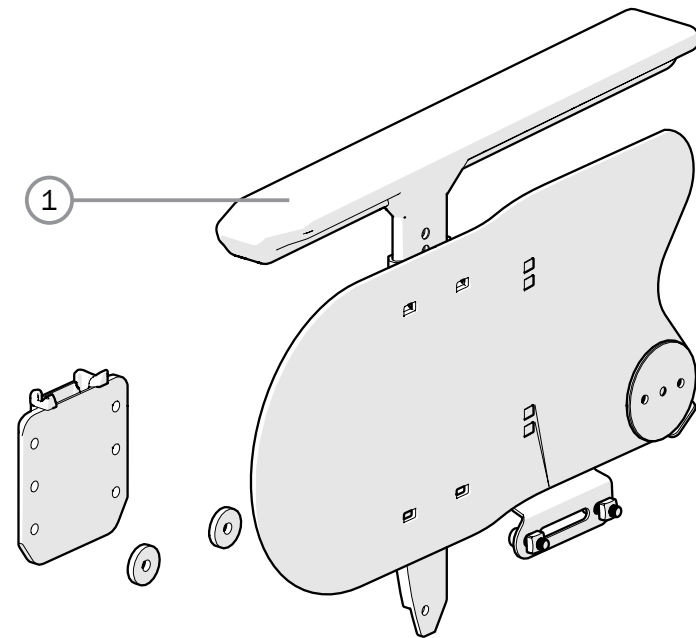
Arm support detachable pad

Pos.	Description	Item. no.
1-6	Arm support detachable pad short right	28780-1
	Arm support detachable pad short left	28780-2
	Arm support detachable pad long right	28781-1
	Arm support detachable pad long left	28781-2
	Arm support detachable pad short right with finger screw	28782-1
	Arm support detachable pad short left with finger screw	28782-2
	Arm support detachable pad long right with finger screw	28783-1
	Arm support detachable pad long left with finger screw	28783-2
1	Arm support detachable pad short without pad	28684
	Arm support detachable pad long right without pad	28685-1
	Arm support detachable pad long left without pad	28685-2
2	Stop bar for arm support	80661
3	Screw B 8x19 RXS/A2 Ph st 4.2	11064
	Arm support pad M100 short right	82294-1
	Arm support pad M100 short left	82294-2
	Arm support pad M100 long right	82295-1
4	Arm support pad M100 long left	82295-2
	Sideguard right	50316
5	Sideguard left	50317
	Screw M5x14 MF6S 10.9 black Esloc	11237
7	Finger Screw	82402

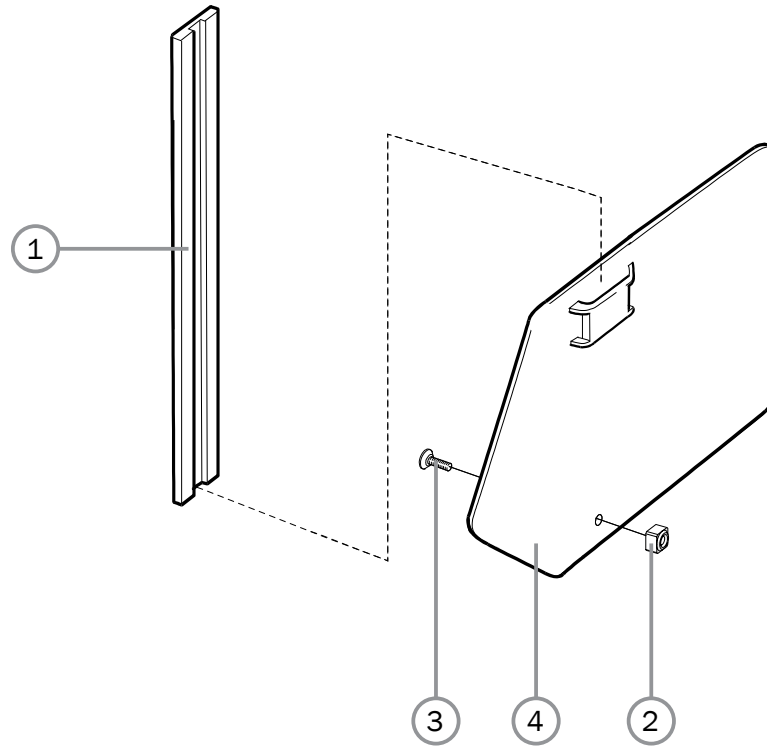


Arm support flip-up

Pos.	Description	Item. no.
1	Arm support flip up ha short R	28842-1
	Arm support flip up ha short L	28842-2
	Arm support flip up ha long R	28843-1
	Arm support flip up ha long L	28843-2

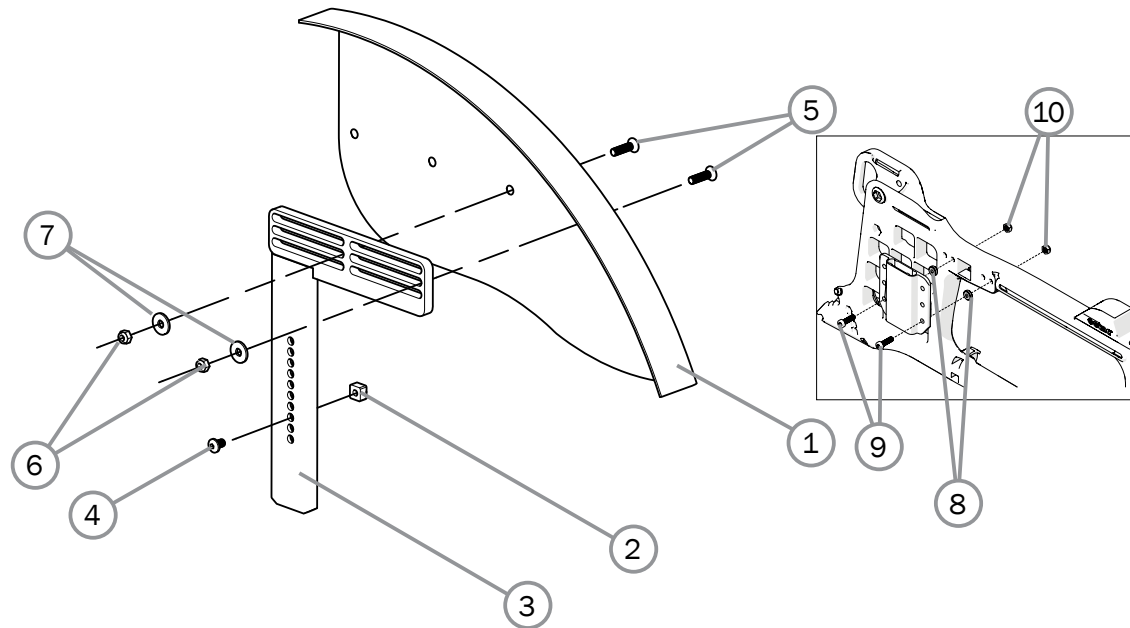


Sideguard



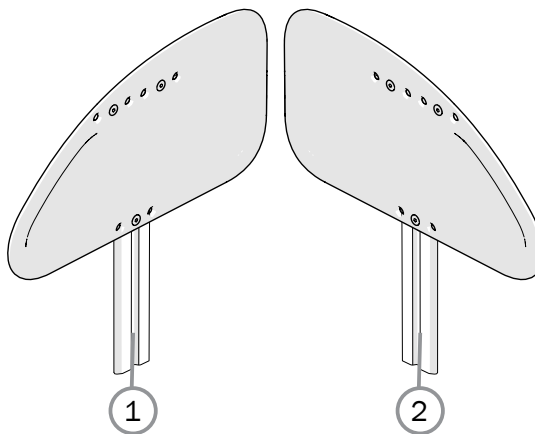
Pos.	Description	Item. No.
1	Sideguard bracket Cross 6005 T6 SS4107-06	80631
2	Stop bar for arm support	80661
3	Screw M 5x 14 MF6S 10.9 black	11237
4	Sideguard Cross/M100 nylon right	50316
	Sideguard Cross/M100 nylon left	50317
1-4	Sideguard Cross right black	25189-1
	Sideguard Cross left black	25189-2

Mudguard



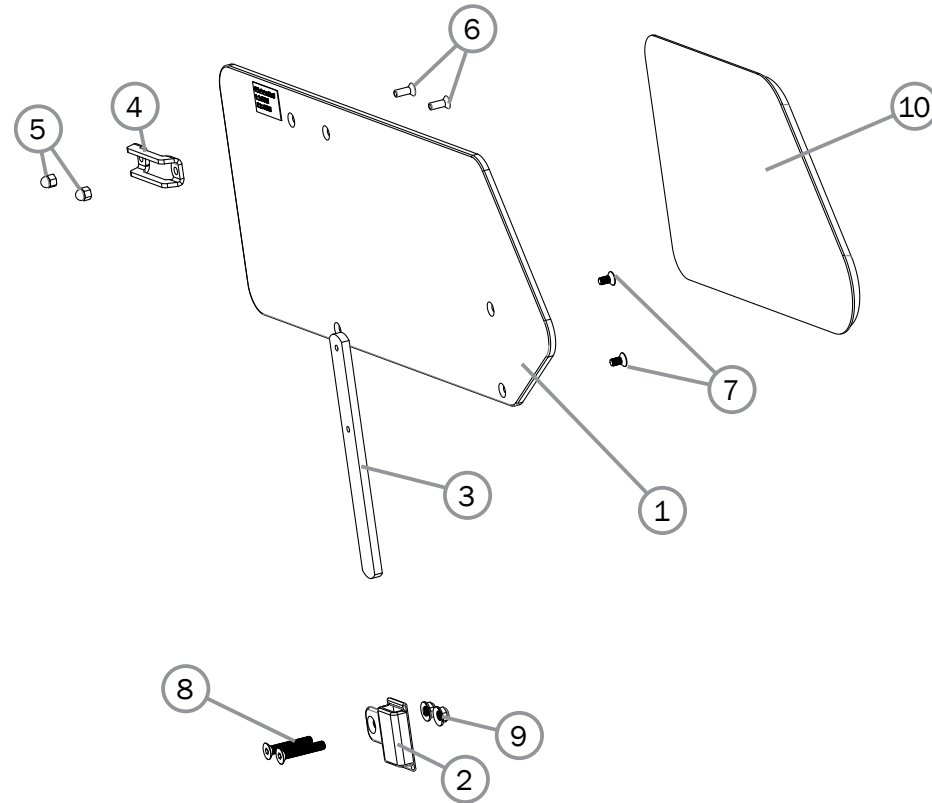
Pos.	Description	Item. No.
1-7	Mudguard black Cross/Elite ri with adj attachment	27397-1
	Mudguard black Cross/Elite le with adj attachment	27397-2
1	Mudguard black right	27414-1
	Mudguard black left	27414-2
2	Stop bar for arm support	80661
3	Attachment mudguard	27396-01
4	Screw M 5x 8 K6S black	11304
5	Screw M 5x 20 MF6S black	11571
6	Locking nut M 5	12036
7	Washer BRB 5.3x15x1.2 black	13004
8	Spacer arm support	20231
9	Screw M 6x 25 MC6S 12.9 black lock	11252
10	Locking nut M 6 black (See part Side frame)	12035

Side guard



Pos.	Description	Art. No.
1	Side guard active d adj R cpl w profile 266.5 mm	24781-1
2	Side guard active d adj L cpl w profile 266.5 mm	24781-2

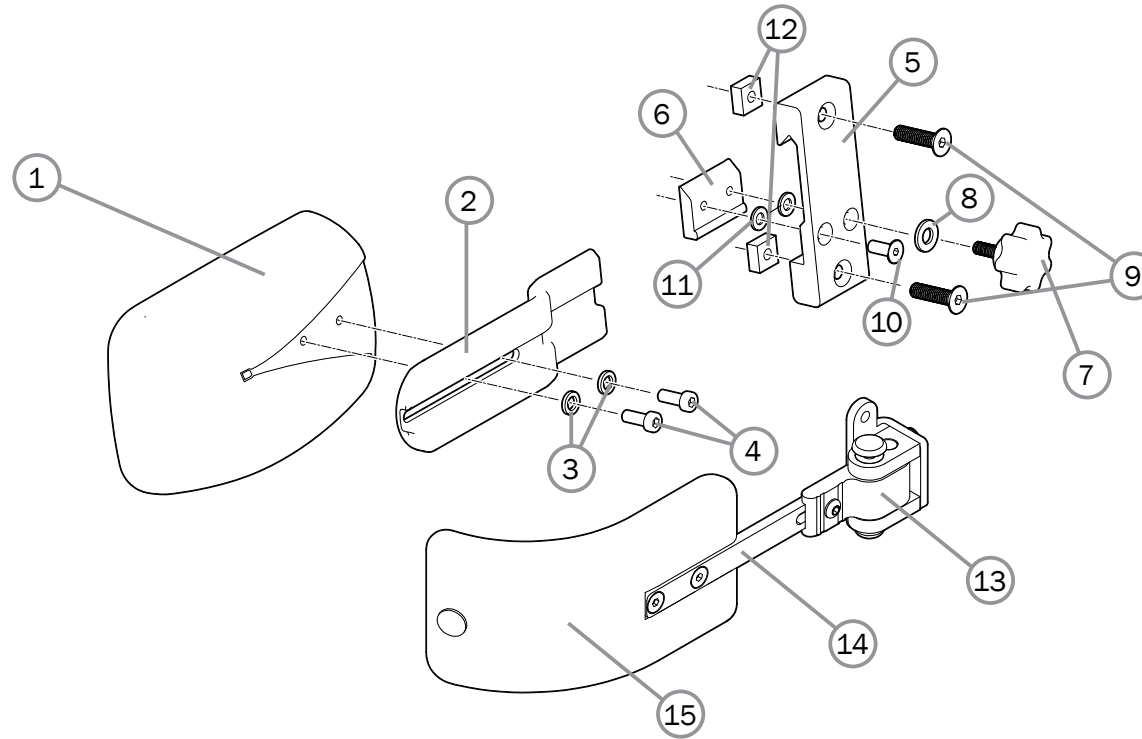
Thigh support



Pos.	Description	Item. No.
1-9	Thigh support short right compl	27391-1
	Thigh support short left compl	27391-2
	Thigh support long right compl	27392-1
	Thigh support long left compl	27392-2
1	Thigh support short	82523
	Thigh support long	82524
2	Attachment thigh support	82489
3	Attachment plate thigh support	82490
4	Attachment plate	82408

Pos.	Description	Item. No.
5	Locking nut M5 domed zink plated	12168
6	Screw M 5x14 MF6S 10.9 black	11237
7	Screw M 5x10 MF6S 8.8 zink plated	11689
8	Screw MF6S M6 x 30 fzb Esloc	11639
9	Locking nut M6 black	12169
10	Soft pad thigh support right compl	82488-1
	Soft pad thigh support left compl	82488-2

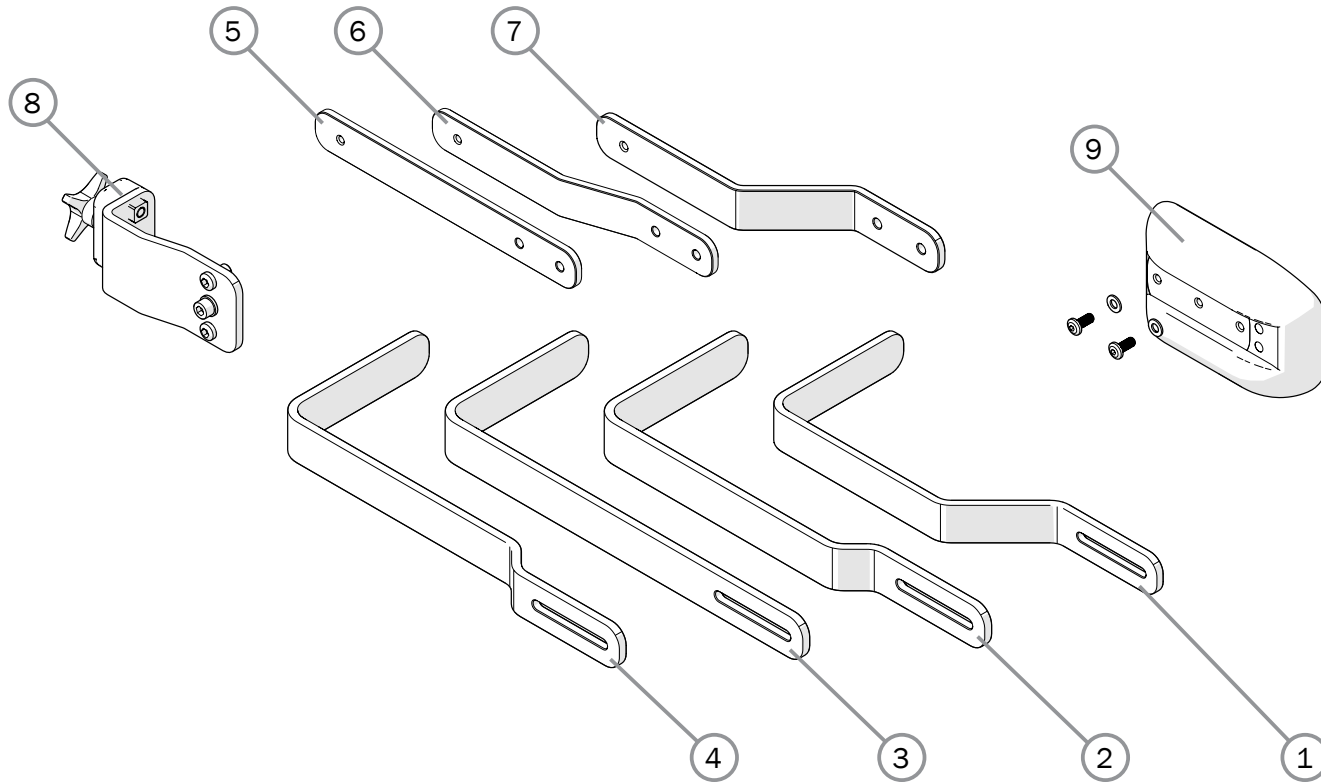
Lateral support, back support 3A



Pos.	Description	Item. No.
1-12	Trunk support Cross back mod 3 incl attachment	27395
1	Trunk supp pad curved small Dartex Cross back mod 3	82491
2	Bracket trunk support	82507
3	Spring washer 6.1x9.9x1.6 DIN 7980	13014
4	Screw M 5x 12 K6S 10.9 zink plated	11208
5	Attachment arm support Elite/Sting without screws	80403
6	Locking plate arm support	80292
7	Knob M 5x15 leg support amputee Cross	80807
8	Washer BRB 5.3x15x1.2 black	13004

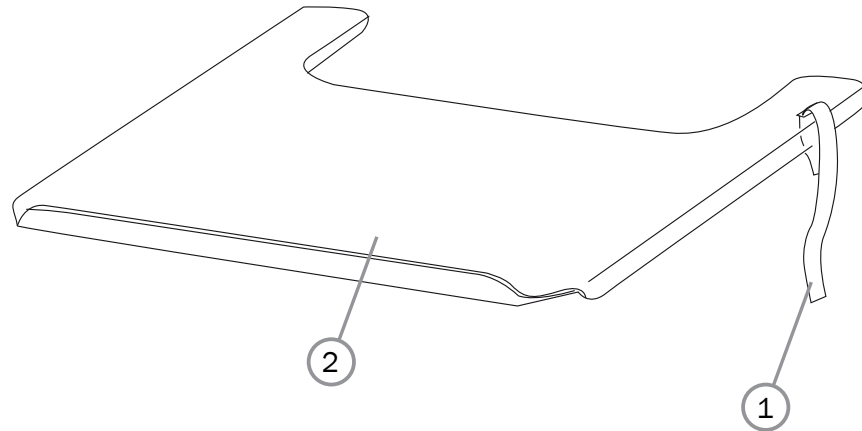
Pos.	Description	Item. No.
9	Screw M 6x 25 MF6S black esloc	11430
10	Screw M 5x 14 MF6S 10.9 black	11237
11	Washer 5.3x 10x 0.5m DIN 137A zink plated	13026
12	Nut M 6 FK4M	12166
13	Attachment trunk support swing away R compl	27947-1
	Attachment trunk support swing away L compl	27947-2
14	Bar trunk support swing away L straight 12	27948
15	Cushion trunk support medium bent black H 6.5 L 17	27949
	Cushion trunk support large bent black H 9 cm L 19	27950

Lateral support, back support 3A cont.



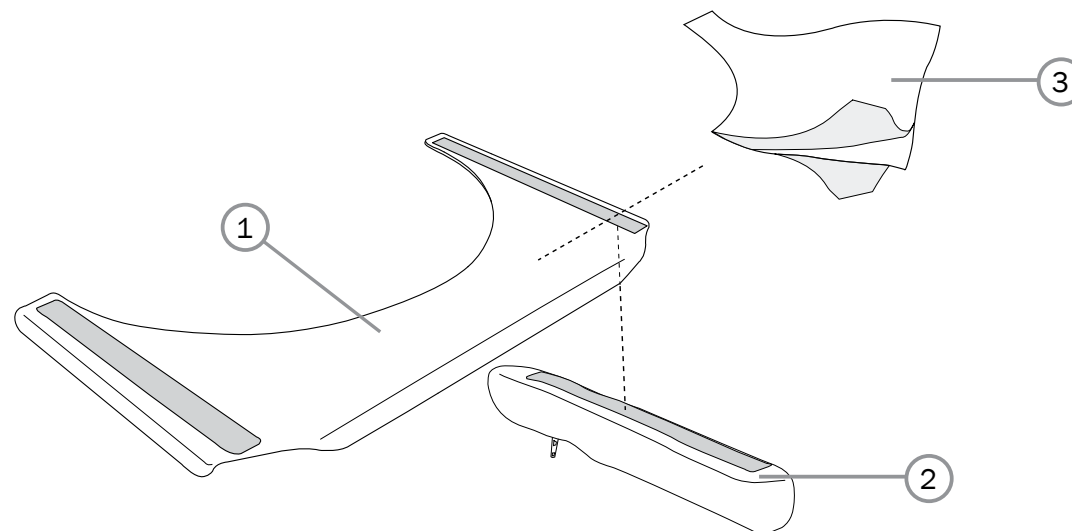
Pos.	Description	Item. No.
1	Trunk support bar -45 mm	83002
2	Trunk support bar -15 mm	83017
3	Trunk support bar 0 mm	83018
4	Trunk support bar +15 mm	83019
5	Trunk support bar ssb -0 mm	83046
6	Trunk support bar ssb -15 mm	83045
7	Trunk support bar ssb -45 mm	83001
8	Trunk support attachment 3A compl	28146
9	Trunk support pad straight compl	28276

Tray



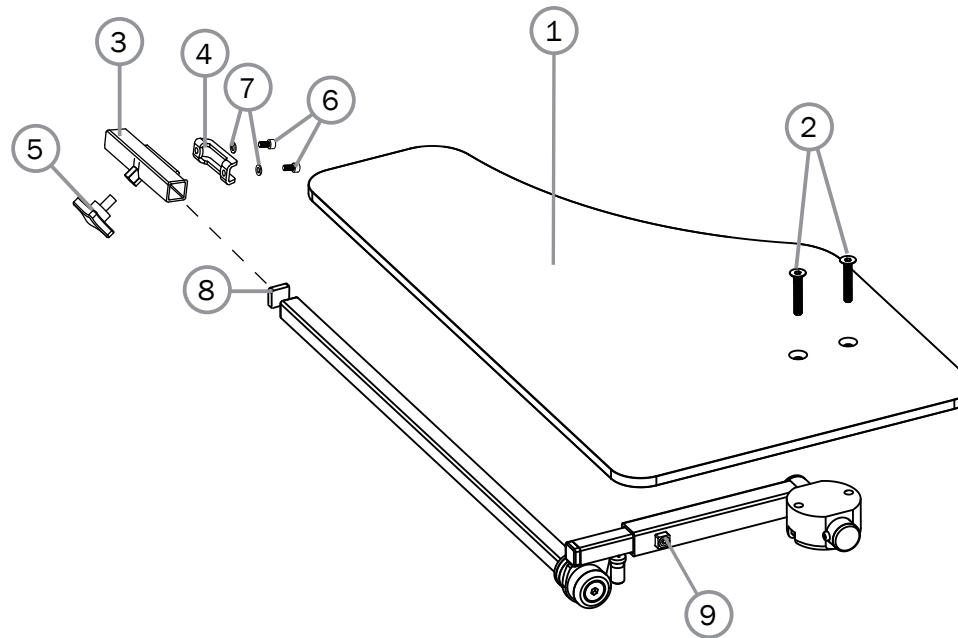
Pos.	Description	Item. No.
1	Strap for tray 27.5-50 cm (11"-20")	62103
2	Tray 45 cm compl for wheelchair 35 cm (14")	24417
	Tray 47.5 cm compl for wheelchair 37.5 cm (15")	25187
	Tray 50 cm compl for wheelchair 40 cm (16")	24418
	Tray 52.5 cm compl for wheelchair 42.5 cm (17")	25188
	Tray 55 cm compl for wheelchair 45 cm (18")	24419
	Tray 57.5 cm compl for wheelchair 47.5 cm (19")	25731
	Tray 60 cm compl for wheelchair 50 cm (20")	24601
	Tray 62.5 cm for 52.5 cm chair compl	26020

Tray hemi



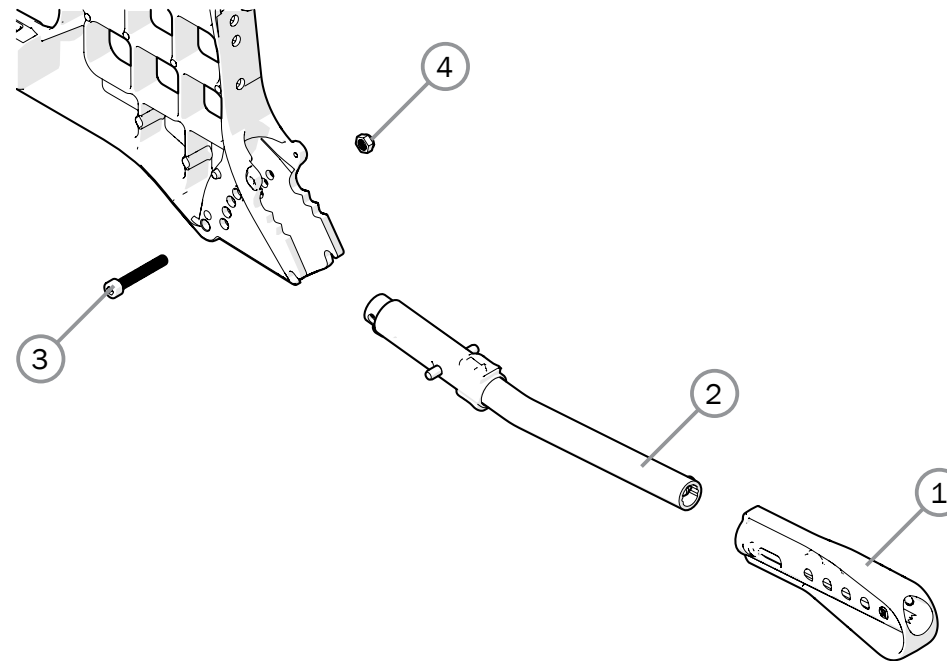
Pos.	Description	Item. No.
2	Cover arm support table hemi short with Velcro	81631
	Cover arm support table hemi long with Velcro	81632
3	Anti glide table hemi 35-50 cm	81633
1-2	Tray hemi 45 cm for wheelchair 35 cm (14) with short arm support cover	26556
	Tray hemi 47.5 cm for wheelchair 37.5 cm (15) with short arm support cover	26557
	Tray hemi 50 cm for wheelchair 40 cm (16) with short arm support cover	26558
	Tray hemi 52.5 cm for wheelchair 42.5 cm (17) with short arm support cover	26559
	Tray hemi 55 cm for wheelchair 45 cm (18) with short arm support cover	26560
	Tray hemi 57.5 cm for wheelchair 47.5 cm (19) with short arm support cover	26561
	Tray hemi 60 cm for wheelchair 50 cm (20) with short arm support cover	26562
	Tray hemi 45 cm for wheelchair 35 cm (14) with long arm support cover	26563
	Tray hemi 47.5 cm for wheelchair 37.5 cm (15) with long arm support cover	26564
	Tray hemi 50 cm for wheelchair 40 cm (16) with long arm support cover	26565
	Tray hemi 52.5 cm for wheelchair 42.5 cm (17) with long arm support cover	26566
	Tray hemi 55 cm for wheelchair 45 cm (18) with long arm support cover	26567
	Tray hemi 57.5 cm for wheelchair 47.5 cm (19) with long arm support cover	26568
	Tray hemi 60 cm for wheelchair 50 cm (20) with long arm support cover	26569

Tray hemi/communication



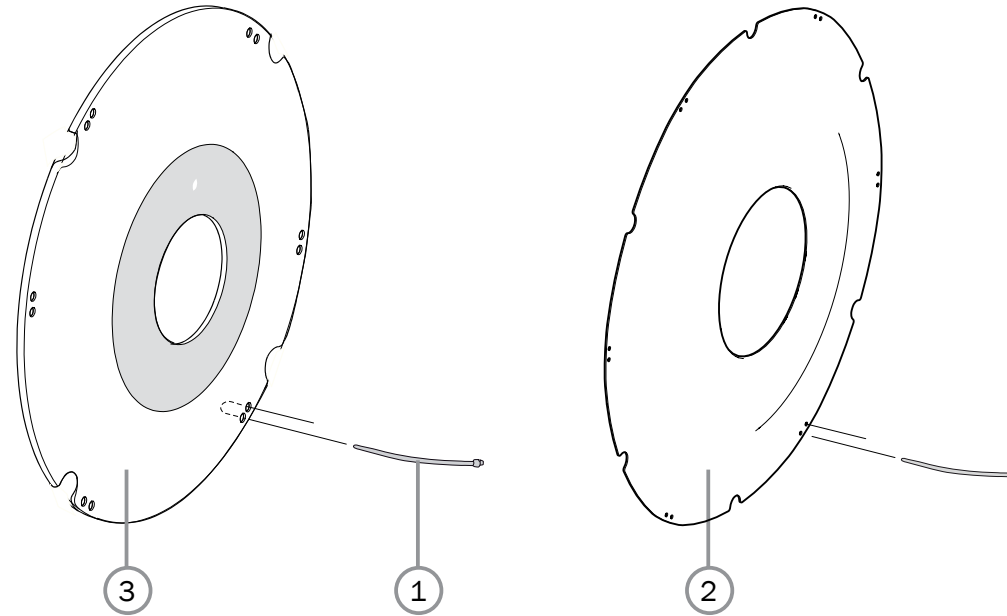
Pos.	Description	Art. nr.
1-9	Tray Hemi/Communicatin half right	27352-1
	Tray Hemi/Communicatin half left	27352-2
1	Plate Tray hemi	82420
2	Screw M 6x 35 MF6S 8.8 black	11287
3	Hold arm support	27356
4	Attachment plate arm support	82408
5	Locking wheel M8x14mm L	400118
6	Screw M 5x 8 MC6S black	11414
7	Spring washer 5,3 x 10 x 0,5	13026
8	End stop IFR 1515-1,5s	50972
9	Stop screw M6 x 10	11614

Anti tip



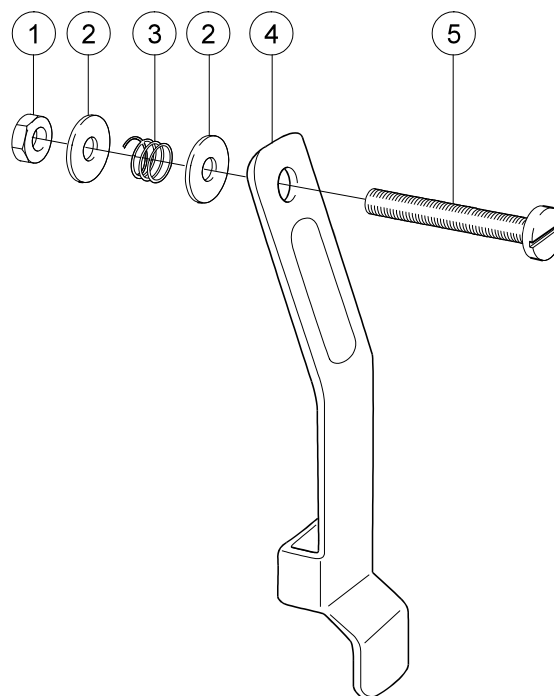
Pos.	Description	Item. No.
1-4	Anti tip multi Cross 5/6 Prio cc 59 cpl	28457
	Anti tip multi Transit III Cross 2 Next cc 66 cpl	28458
1	Antitip extension multi	51201
2	Anti tip multi cc59	
	Anti tip multi cc66	
3	Screw M 6x 40 MC6S zink plated	11229
4	Locking nut M 6 zink plated	12017

Spoke guard



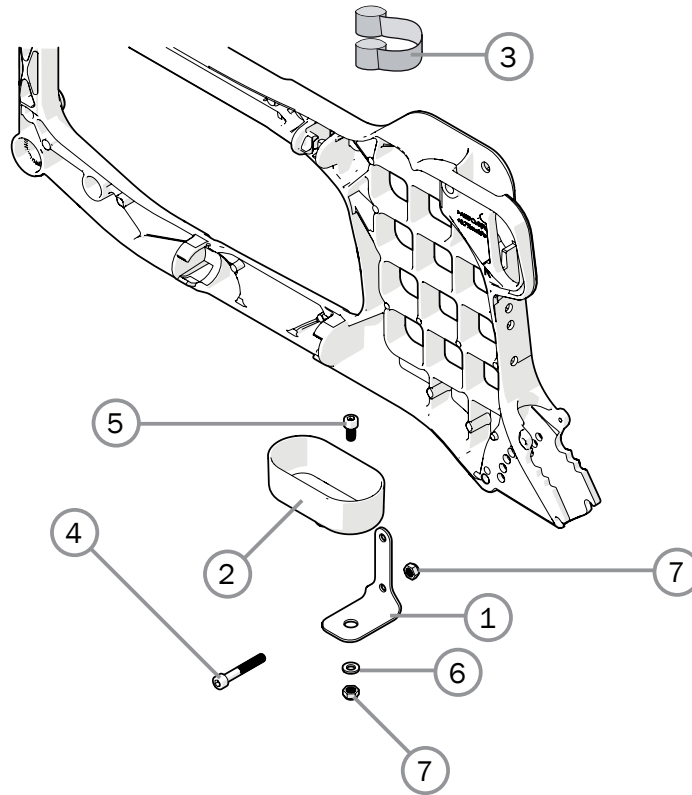
Pos.	Description	Item. No.
1	Attachment kit spokeguard	26276
1-2	Spoke guard 20" cpl C6/Maxx	28934
	Spoke guard 22" cpl C6/Maxx	28935
	Spoke guard 24" cpl C6/Maxx	28936
1, 3	Spoke guard 20" with logo Etac grey	25502-28
	Spoke guard 20" with logo Etac yellow	25502-29
	Spoke guard 20" AB with logo Etac grey	28816-28
	Spoke guard 22" with logo Etac grey	25503-28
	Spoke guard 22" with logo Etac yellow	25503-29
	Spoke guard 22" AB with logo Etac grey	28817-28
	Spoke guard 24" with logo Etac grey	25504-28
	Spoke guard 24" with logo Etac yellow	25504-29
	Spoke guard 24" AB with logo Etac grey	28818-28

Tetra quickrelease adapter



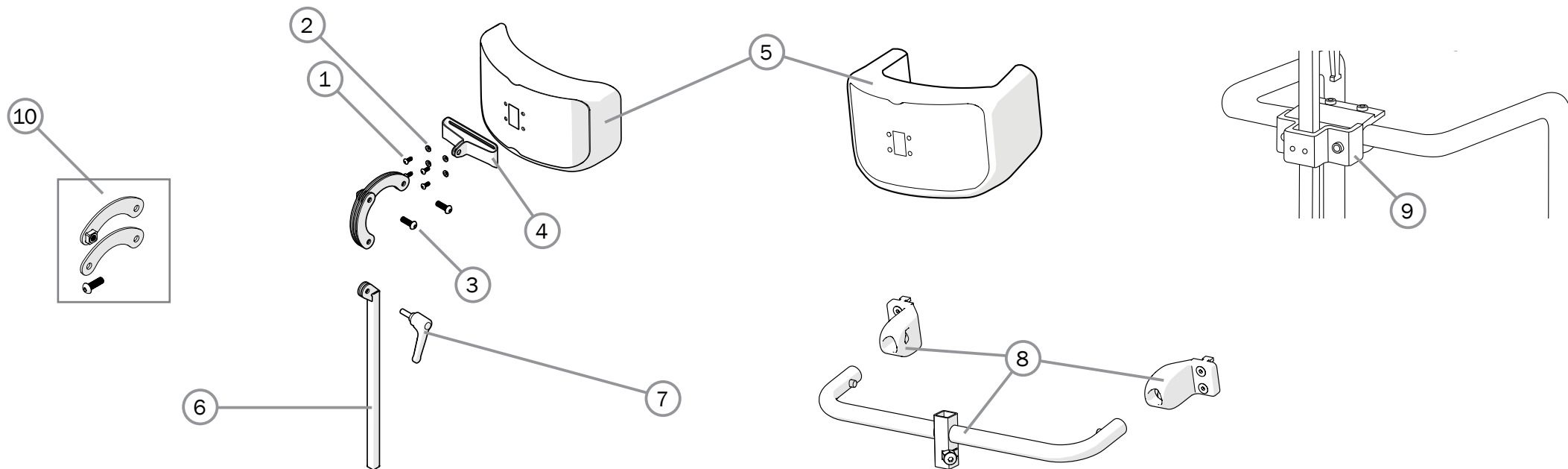
Pos.	Description	Item. No.
1	Locking nut M 5 DIN 985-6 zink plated	12003
2	Washer 6.4x 14x 1.55 alu	13010
3	Spring 1.5 inv 6 L15 zink plated	80019
4	Tongue tetraknob black	24040-01
5	Screw M 5x 35 zink plated	11001
1-5	Tetra quick release adapt black	24051-01

Cane holder



Pos.	Description	Item. No.
1-7	Cane holder universal compl Cross/Next/Twin/Transit	27327
1	Bracket cane holder	82390
2	Cane holder M100	50866
3	Elastic ribbon Cross black	80621
4a	Screw M 6x 40 MC6S zink plated	11229
4b	Screw M 6x 14 MC6S black	11420
5	Screw M6 x 12 MC6S 8.8 zink plated	11577
6	Washer 6.4x14x1.5 DIN 134 black	13058
7	Locking nut M 6 zink plated	12017

Head support



Pos.	Description	Item. No.
1-7	Head support mod 4 hygiene	28534-65
	Head support mod 4 dark grey	28534-60
	Head support with side support grey hygiene	28536-65
1	Screw M 5x 12 K6S 10.9 fzb	11208
2	Joint bushing	50285
3	Screw M8x25	11706
4	Attachment head support	83288
5	Cover for head support plush	63177-60
	Cover for head support hygiene	63177-65
	Cover for head support with side support	63185-65
6	Tube hold neckrest L 350	28533
7	Handle head support	80684

Pos.	Description	Item. No.
8	Head support attachment 3A 35 cm	28125
	Head support attachment 3A 37,5 cm	28126
	Head support attachment 3A 40 cm	28127
	Head support attachment 3A 42,5 cm	28128
	Head support attachment 3A 45 cm	28129
	Head support attachment 3A 47,5 cm	28130
	Head support attachment 3A 50 cm	28131
	Head support attachment 3A 52,5 cm	28132
9	Head support bracket	25795
10	Extension head support	29012

Drip stand

Pos.	Description	Item. no.
1-7	IV stand compl	28323
1	IV stand	28338
2-7	Attachment IV stand	28339
2	Knob	
3	Attachment	
4	Plate	
5	Nut	
6	Screw	
7	Washer	

