

Swift Mobil-2 series

Shower- and toilet chair

1A16009.12

2026-03-05

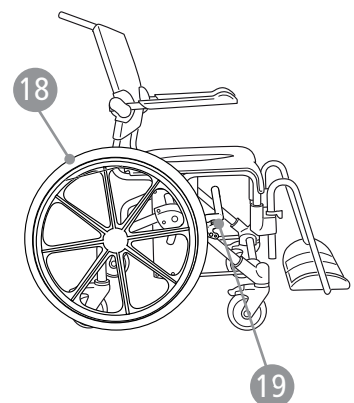
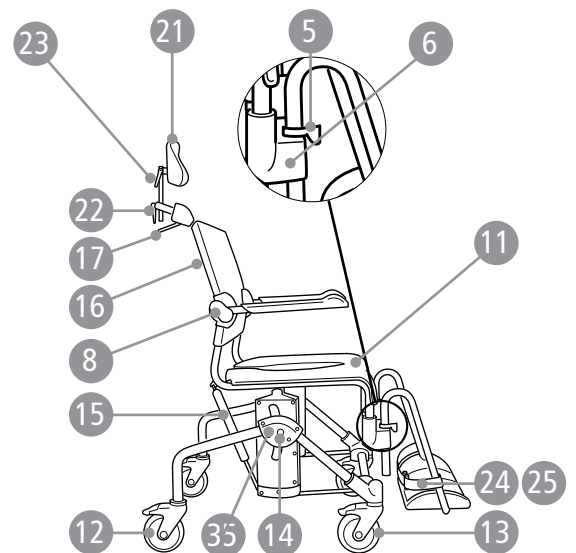
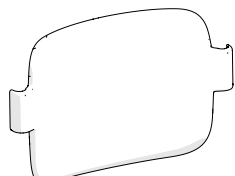
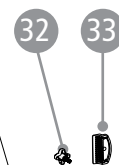
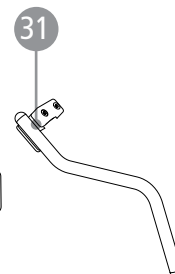
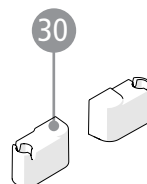
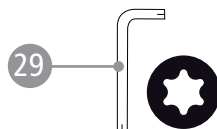
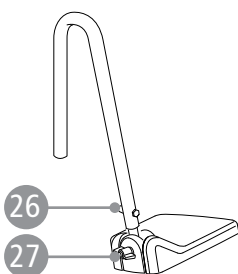
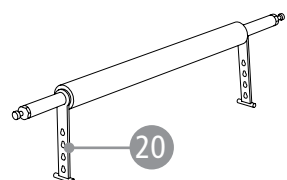
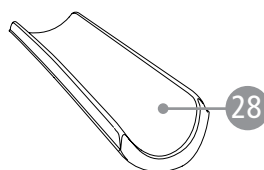
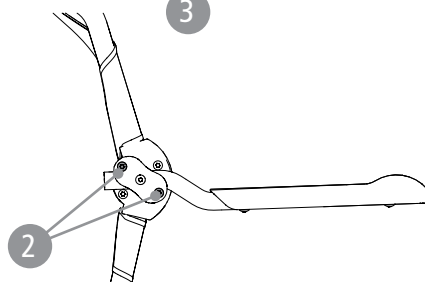
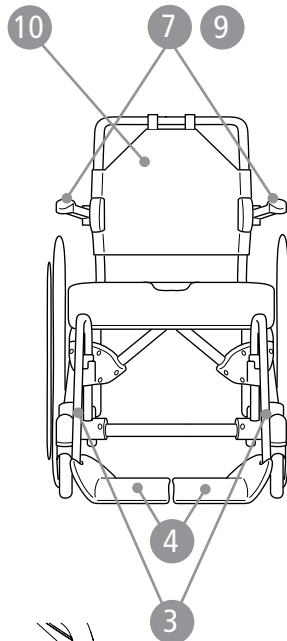
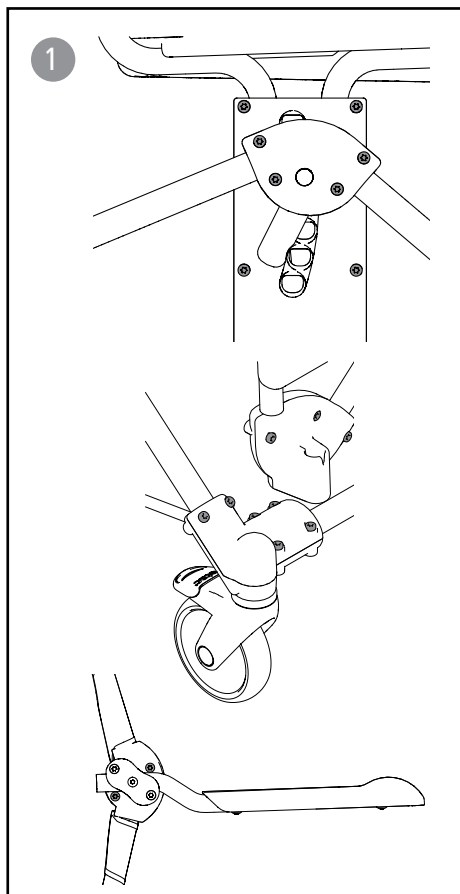
Swift Mobil-2

Swift Mobil 24"-2

Swift Mobil-2 XL

Swift Mobil Tilt-2

Swift Mobil Tilt-2 XL



en Spare parts			Product					
Pos	Description	Item no	Swift Mobil-2	Swift Mobil Tilt-2	Swift Mobil 24"-2	Swift Mobil-2 XL	Swift Mobil Tilt-2 XL	Accessories
1	Screw/nut kit 25 mm	8400 1300	X	X	X	X	X	
2	Screw/nut kit 50 mm	8400 1301	X	X	X	X	X	
3	Leg support right/left complete	8400 1302	X	X	X	X	X	
4	Footrest right/left	8400 1303	X	X	X	X	X	
5	Leg support lock clip	8400 1304	X	X	X	X	X	
6	Attachment leg support left	8400 6266	X	X	X	X	X	
	Attachment leg support right	8400 6267	X	X	X	X	X	
7	Arm support plate right/left	8400 6117	X	X	X	X	X	
8	Attachment arm support right	8400 6271	X	X	X	X	X	
	Attachment arm support left	8400 6270	X	X	X	X	X	
9	Arm support ri	8400 6262	X	X	X	X	X	
	Arm support le	84006263	X	X	X	X	X	
10	Soft back support	8400 6118	X	X	X			
	Soft back support XL	8400 1329				X	X	X
11	Seat rear opening	8400 6116	X	X	X	X	X	
	Seat closed rear	8400 1337	X	X	X	X	X	
12	Rear castor 125 mm lockable, pair	8400 1321	X	X	X	X	X	
	Rear castor 125 mm lockable, pc	8400 1330	X	X	X	X	X	
13	Front castor, pair	8400 5046	X	X	X	X	X	
	Front castor, right	8400 1331	X	X	X	X	X	
	Front castor, left	8400 1332	X	X	X	X	X	
14	Bolt	8400 1317	X	X	X	X	X	
15	Gas spring	8400 1310		X			X	
16	Wire kit	8400 6187		X				
17	Tilt bar	8400 6268		X				
	Tilt bar XL	8400 6269					X	
18	Rear wheel 24", pair, 2 pcs	8400 1309			X	X		
19	User brake right	8400 1314			X			
	User brake left	8400 1315			X			
20	Rubber strap cross bar 2 pcs	8400 1117						X
21	Head support excl attachment	8400 6188		X			X	X
	Attachment to head support upright	8400 6225						X
22	Head support attachment excl head support	8400 5083		X			X	X
23	Locking lever head support std	8400 1340		X			X	X
24	Heel strap	8020 9553		X			X	X
25	Heel strap attachment	8400 6281		X			X	X
26	Nut cover (for foldable footrest)	8400 1319						X
27	Knob (for foldable footrest)	8400 1320						X
28	Soft detail armrest	8400 5098						X
29	Torxkey T30 1 pce, T20 1 pce	8400 5043	X	X	X	X	X	
30	Widening kit Leg support right/left	8020 9525				X	X	X
31	Anti-tip front incl attachment, pair	8020 9526						X
32	Knob wipeable back 2 pcs	8400 6223						X
33	Attachment back support	8400 6275						X
34	Touch up paint white RAL 9003	8400 5052	X	X	X	X	X	
35	Label height adjustment, 3 pairs	8400 6279	X	X	X	X	X	