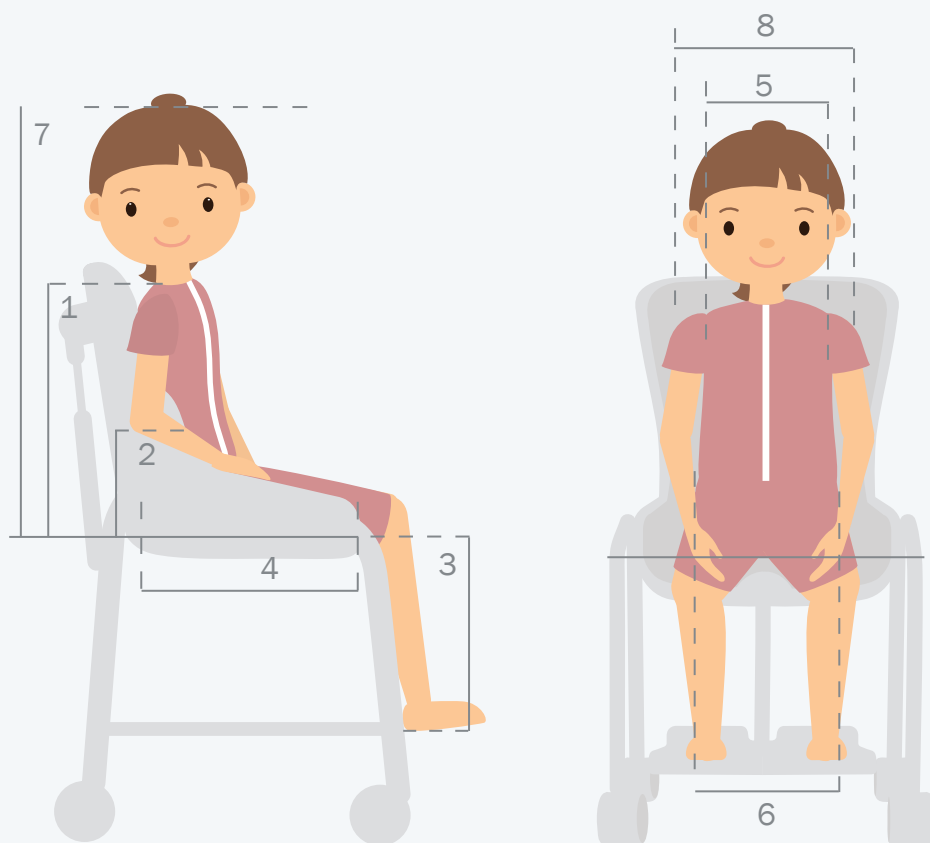


R82 Swan Curo measurement guide

A simple guide to help you choose the correct size R82 Swan Curo for your child.



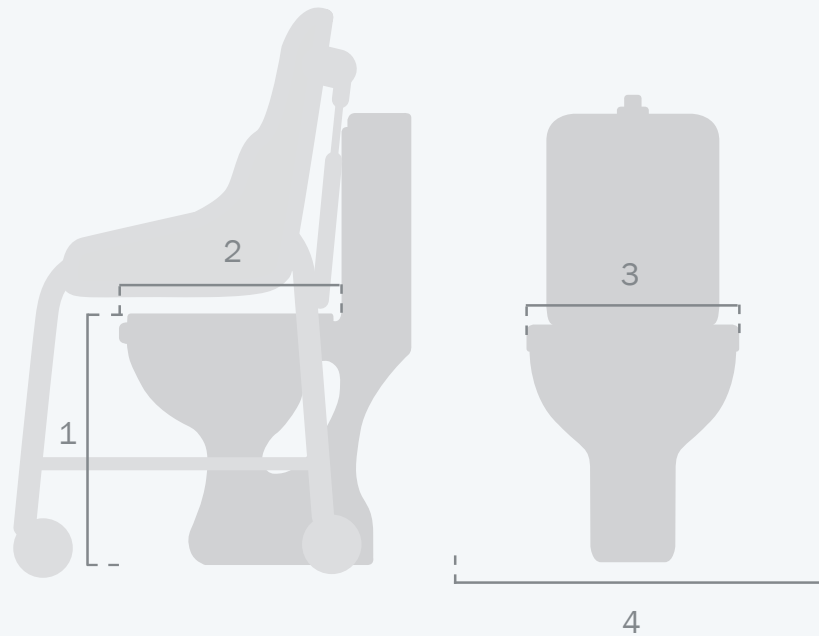
When choosing size, you should first measure your child and then your toilet and bathroom surroundings. Finally use the R82 Swan Curo measurements to ensure, that you choose the correct size for your child and that the chair fits your toileting environment. We will guide you through the steps.

Collect child's measurements

No.	Type	Measurement
1	Back height	
2	Arm height	
3	Lower leg length	
4	Seat depth	
5	Chest width	
6	Seat width	
7	Height from seat to top of head	
8	Shoulder width	
9	Height	
10	Weight	

R82 Swan Curo user measurement guide

Measure your bathroom, including toilet and the surroundings.



Measure bathroom & surroundings

No.	Type	Measurement
1	Height from floor to seat	
2	Depth of toilet bowl	
3	Width of toilet bowl	
4	Overall width around toilet	
5	Door opening	

Example on how to use the guide

Step 1: Collect child's measurements

Back height.....	420 mm
Arm height.....	180 mm
Lower leg length.....	270 mm
Seat depth.....	260 mm
Chest width.....	250 mm
Seat width.....	250 mm
Height from seat to top of head.....	520 mm
Shoulder width.....	330 mm
Height.....	1040 mm
Weight.....	20 kg

Step 2: Collect toilet measurements

You should then consider your toileting environment. Does the toilet & bath chair fit into your bathroom? Does the chair go over your toilet?

Step 3: Choose size

You now have to choose the right size for your child. We recorded Olivia's measurements (to the left) and using the measurement chart below, we could conclude that the optimal size for Olivia was an R82 Swan Curo size 2. This size provided support for Olivia's upper trunk and pelvis, and still Olivia is able to grow several centimeters in height.

Step 4: Double check measurements

Then you should compare the measurements from your toilet and bath surroundings with the measurements from the R82 Swan Curo in the chart to the right.

R82 Swan Curo measurements / ensure the R82 Swan Curo fits your surroundings

Standard product, Toilet & bath chair	Size 1	Size 2	Size 3	Size 4
Height from floor to underneath seat (low/high)	344 mm/ 504 mm	421 mm/ 581 mm	408 mm/ 567 mm	418 mm/ 577 mm
Overall width, without castors	410 mm	450 mm	491 mm	571 mm
Overall width, with castors	500 mm	530 mm	580 mm	655 mm
Length, with castors outside (low/high) at 0° tilt	495 mm/ 555 mm	625 mm/ 645 mm	680 mm/ 715 mm	680 mm/ 715 mm
Length, without castors outside (low/high) at 0° tilt	400 mm/ 425 mm	N/A	N/A	N/A
From back edge to start of hole	110 mm	153 mm	187 mm	156 mm

R82 Swan Curo measurements / find the right size for your child

Standard product, Toilet & bath chair	Size 1	Size 2	Size 3	Size 4
Backrest height	380 mm	470 mm	525 mm	600 mm
Effective seat width	220 mm	260 mm	320 mm	410 mm
Effective seat depth	265 mm	310 mm	400 mm	450 mm
Back width, top of backrest	270 mm	350 mm	425 mm	490 mm
Back width, bottom of backrest	210 mm	250 mm	315 mm	400 mm
Max. user mass	35 kg	60 kg	85 kg	110 kg

3

