

Baxter

HORIZONTAL LIFTING SOLUTIONS

FLEXOSTRETCH LIFT STRETCHER

OCTOSTRETCH LIFT STRETCHER

ULTRASTRETCH LIFT STRETCHER

LIKOSTRETCH 600 IC LIFT STRETCHER



HORIZONTAL LIFTING IN HOSPITALS

IN THE HOSPITAL, PATIENTS MAY NEED TO BE TRANSFERRED IN A HORIZONTAL POSITION TO AND FROM OPERATING TABLES, X-RAY EQUIPMENT, BEDS, AND STRETCHERS. TO SUPPORT SAFE MOVEMENT AND MINIMIZE IMPACT ON PATIENTS, WE OFFER A RANGE OF HORIZONTAL LIFTING SOLUTIONS.

FLEXOSTRETCH LIFT STRETCHER

This lift stretcher accessory is appropriate for supporting plus-sized patients. Its width is adjustable and comes available with the stretch leveller designed to help control the patient's horizontal position.

- Safe working load:
300 kg / 660 lb





OCTOSTRETCH LIFT STRETCHER WITH STRETCH LEVELLER

The **OctoStretch** accessory is designed to help meet the lifting needs of surgical, radiology and ICU departments. It is compatible with all Baxter overhead lifts, and variety of mobile lifts.

Choose the right **LiftSheet** size to get the access you need to care for your patients.

- Safe working load: 200 kg / 440 lb



ULTRASTRETCH LIFT STRETCHER FOR YOUR HEAVIEST LIFTS

Our strongest horizontal lift accessory, the **UltraStretch**, is designed for use with the overhead **UltraTwin** system, which features two interconnected **Likorall** motors.

- Safe working load: 400 kg / 880 lb

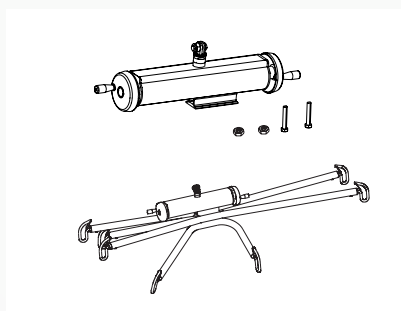
LIKOSTRETCH MOD 600 IC LIFT STRETCHER

This horizontal lift stretcher accessory is designed to support you with sensitive patient handling needs - for example, patients with mobility limitations that are unable to be turned on their sides. The straps can be placed or arranged under the patient to help minimize contact with the skin.

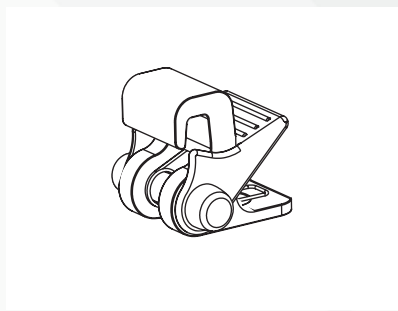
- Safe working load: 250 kg / 550 lb



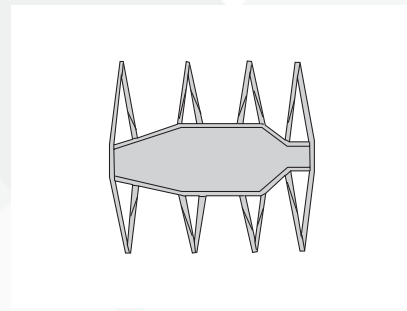
FIND THE RIGHT SUPPORT FOR YOUR PATIENTS AND CAREGIVERS WITH THE RIGHT ACCESSORIES.



Adjust the center of gravity during patient lifting with the optional stretch leveller, depending on model.



Assist the transfer of patients between lift systems with the optional quick-release hook system, depending on model.



Choose between LiftStraps or **LiftSheet**, depending on the model, choose between washable or single-patient use soft accessories.

	OCTOSTRETCH LIFT STRETCHER	LIKOSTRETCH MOD 600 IC LIFT STRETCHER	FLEXOSTRETCH LIFT STRETCHER	ULTRASTRETCH LIFT STRETCHER
Maximum Weight Capacity	200 kg / 440 lb	250 kg / 550 lb	300 kg / 660 lb	400 kg / 880 lb
Dimensions (L x W x H)	1263 mm x 617 mm x 305 mm / 50" x 24" x 12"	660 mm x 800 mm x 460 mm / 26" x 31.5" x 31.5"	1440 mm x 710-950 mm x 254 mm / 57" x 28-37.5" x 10"	1440 mm x 710-950 mm x 176 mm / 57" x 28-37.5" x 7"
Product Number	3156056 with stretch leveller	3156065B excl. accessories	3156057 with stretch leveller	3156058
Accessories	3683105 Octo LiftSheet , M 3683106 Octo LiftSheet , L 3683905-4 Solo Octo LiftSheet , M 3683906-4 Solo Octo LiftSheet , L 3156508 Quick-release Hook Universal	3166506 SideRails 600 IC (pair) 3684001 LiftStraps Mod 600 IC, 8 pcs/set 3684002 Spatula Mod 600 IC 3156200 Stretch Leveller 3156502 Quick-release Hook TDM	3684105 LiftSheet XL, Regular 3684106 LiftSheet XL, Tall 36871003-2 Solo Repo Sheet , Short 36871004-8 Solo Repo Sheet , Generous 3156508 Quick-release Hook Universal	3684105 LiftSheet XL, Regular 3684106 LiftSheet XL, Tall 36871003-2 Solo Repo Sheet , Short 36871004-8 Solo Repo Sheet , Generous
Product Compatibility*	LikoGuard L and XL, Likorall 200, 242, 243, 250, Multirall , Viking M, L, XL, and Golvo 9000	LikoGuard L and XL, Likorall 200, 242, 243, 250, Multirall , Viking L, XL, and Golvo 9000	LikoGuard L and XL, Likorall 200, 242, 243, 250, Multirall , Viking L, XL, and Golvo 9000	UltraTwin Overhead Lift System

* Please confirm safe working load for both the lift and horizontal accessory prior to use.

FOR MORE INFORMATION PLEASE CONTACT YOUR BAXTER SALES REPRESENTATIVE OR LOCAL DISTRIBUTOR.

Horizontal Lifting Accessories are intended for lifting, transferring, and repositioning patients in a horizontal supine position. The UltraStretch accessory is designed for use with heavier patients and LikoStretch Mod 600 IC is intended for extra demanding lifting situations. Intended for use in following environments: health care, intensive care, emergency ward, rehabilitation, habilitation and home healthcare environment. Medical device (2017/745): Class I. Manufacturer: Liko AB, Nedre vägen 100, 975 92 Luleå, Sweden. These products are regulated health care products which, where required by applicable regulations, bear a CE mark.

Baxter recommends you carefully read the detailed instructions for safe and proper use included in the documentation accompanying medical devices. The personnel of healthcare establishments are responsible for the proper use and maintenance of these medical devices. Baxter reserves the right to make changes without notice in design, specifications and models. The only warranty Baxter makes is the express written warranty extended on the sale or rental of its products.



Baxter.se

Baxter, FlexoStretch, Golvo, LiftSheet, Liko, LikoGuard, Likorall, LikoStretch, Multirall, OctoStretch, Repo Sheet, UltraStretch, UltraTwin, and Viking are trademarks of Baxter International Inc. or its subsidiaries

NOR-CS117-250001(v1.0) 03/2025